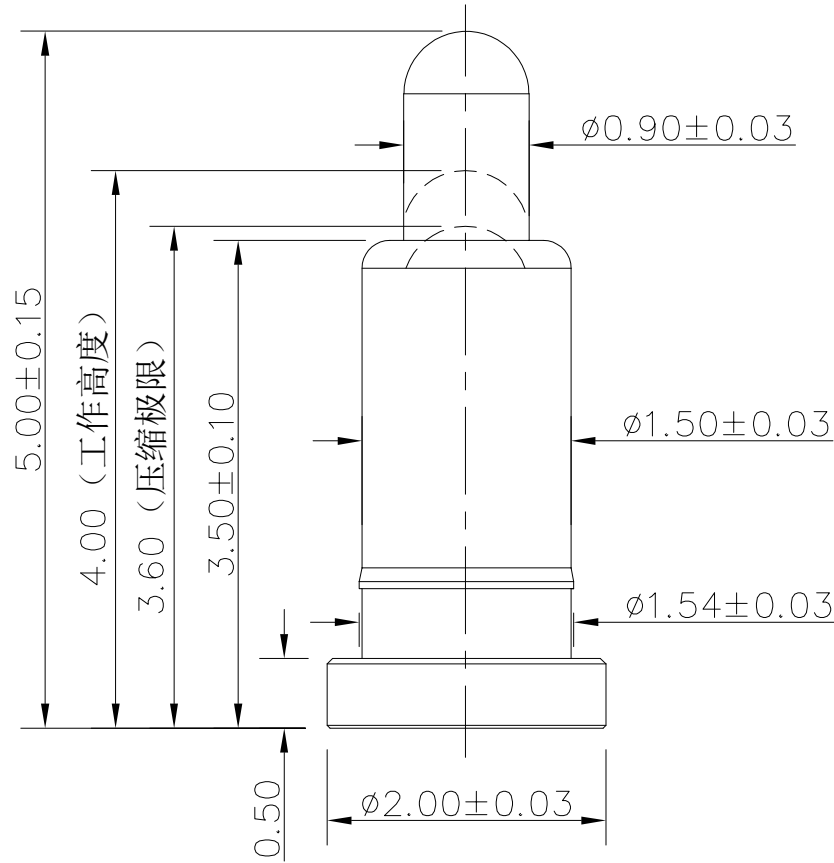


| NO. | ECN NO. | DESCRIPTION | DATE |
|-----|---------|-------------|------|
| 1   |         |             |      |

# 客户图



## Note:

- Material(材料):
  - Barrel: Brass C3604 (针管: 黄铜 C3604)
  - Plunger: Brass C3604 (针头: 黄铜 C3604)
  - Spring: SUS304 (弹簧: SUS304)
- Plating(电镀):
  - Barrel: 3u' Au over 50~80u' Ni(针管: 镀金3u', 镍底50~80u'.)
  - Plunger: 3u' Au over 50~80u' Ni(针头: 镀金3u', 镍底50~80u'.)
  - Spring: Gold flash (弹簧: 镀金)
- Electrical(电气特性):
  - Rated Current & Voltage: DC 12V;2A (额定电压&电流: 直流12V,2A)
  - Contact Resistance: 50 mohm Max. at working height. (接触电阻: 最大50毫欧(在工作高度状态下))
- Mechanical(机械性能):
  - Force: 40g±20% at working height. (40g±20% 在工作高度)。
  - Durability: 10.000 cycles(min) (寿命: 10000次)
- WorkTemperture(工作环境):
  - Withstanding Higt Temperature: 280℃
  - Operational Temperature: -20℃~ +70℃

深圳市鑫探技术有限公司

HTTP://WWW.XYZPOGOPIN.COM

TEL:0755-28773277 FAX:0755-28891353



|        |            |            |     |
|--------|------------|------------|-----|
| SCALE: | N/A        | UNIT       | mm  |
| SHEET: | 1 of 1     | PROJECTION |     |
| DATE:  | 2024.12.28 | VER.       | A.0 |

| THE UNMARKED TOLERANCE ARE AS BELOW : |         |       |        |
|---------------------------------------|---------|-------|--------|
| LENGTH                                |         | ANGLE |        |
| X.XX                                  | ±0.05mm | X.XX  | ±0.50° |
| X.X                                   | ±0.10mm | X.X   | ±1.00° |
| X.                                    | ±0.20mm | X.    | ±2.00° |

|              |  |          |                |
|--------------|--|----------|----------------|
| DESIGNED BY: |  | DWG. NO. | YZ00615050R-12 |
| CHECKED BY:  |  | TITLE:   | Pogo pin       |
| APPROVED BY: |  |          |                |