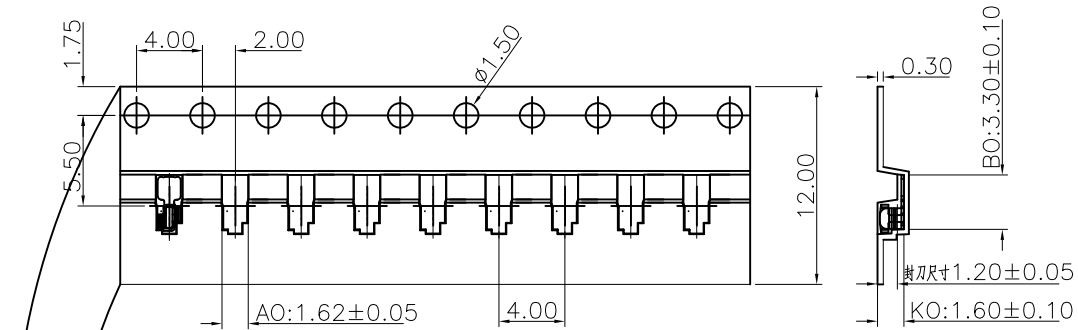


- 1.MATERIAL SPECIFICATION:
1.1.STAINLESS STEEL SUS-301 T=0.15±0.005MM
- 2.TEST REQUIREMENTS:
2.1.CONTACT RESISTANCE: 80mΩ MAX
2.2.VOLTAGE RATING: 1.5 V/AC/DC/MAX
2.3.RATED CURRENT: 1.0A/MAX
2.4.CLAMPING FORCE:60-120g
2.5.WELDING THRUST: ≥3.0 Kg
2.6.DURABILITY: 1,500 TIMES
2.7.OPERATING TEMPERATURE: -20 ° ~ 80 ° C
- 3.PLATING REQUIREMENTS:
3.1.THE NICKEL-PLATED SUBSTRATE IS 50U MIN,
3.2.SALT SPRAY TEST TO MEET THE REQUIREMENTS OF 24 HOURS.
3.3.TERMINAL TO EAT FULL TIN, NOT PEELING, WELDING, OBVIOUS COLOR AND OTHER ADVERSE
3.4.ROHS, REACH, HF HALOGEN-FREE AND A SERIES OF DOMESTIC AND INTERNATIONAL ENVIRONMENTAL REQUIREMENTS



深圳市华宇创精密电子有限公司

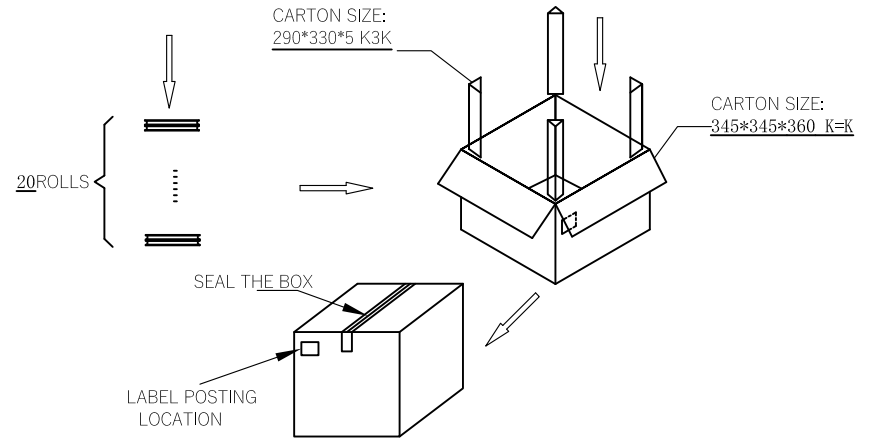
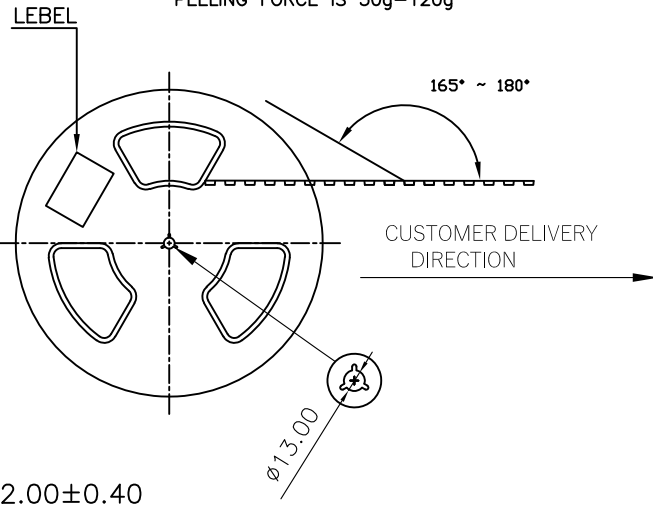
TOLERANCE: X.X ±0.30 X.XX ±0.25 X.XXX ±0.15 X: ±2' X.X' ±0.5'	DRAWN BY : 陈一鸣	DATE : 2014-02-23	PART NAME: H1.4mm 线夹
	CHECKED BY: 马跃	DATE : 2014-02-23	PART NO. HYCW16-14C-140B
UNIT: mm [inch] SCALE:1:1 SIZE: A4	APPROVED BY: 邱敏	DATE : 2014-02-23	MOLD NO. /
			DRAW NO: HYC-2604021020
			SHEET NO. 1 OF 1


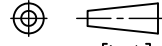


1. PACKAGING REQUIREMENTS:
- 1.1. USE A HEAT-SEALING CARRIER TAPE WITH A WIDTH OF 12MM AND A HEAT-SEALING COVERTAPE WITH A WIDTH OF 9.3MM. REEL WIDTH 12MM, SIZE 330MM
 - 1.2. THE FINISHED PRODUCT QUANTITY PER ROLL IS 8000PCS, 20 ROLLS PER CARTON, FCL QUANTITY 160000PCS
 - 1.3. THE FOUR CORNERS OF THE CARTON ARE PROTECTED BY CORNER GUARDS, AND THE HEIGHT OF THE CORNER GUARDS SHOULD NOT BE HIGHER THAN THE HEIGHT OF THE CARTON. COMPLY WITH ROHS, REACH, HF HALOGEN-FREE AND OTHER DOMESTIC AND INTERNATIONAL ENVIRONMENTAL PROTECTION REQUIREMENTS
2. PACKAGING REQUIREMENTS:
- 2.1. NET WEIGHT: KG
 - GROSS WEIGHT: KG



THE CARRIER TAPE IS HEAT-SEALED PACKAGING, THE PEELING ANGLE OF THE HEAT-SEALING COVER TAPE IS 165°-180°, AND THE PEELING FORCE IS 30g-120g



 深圳市华宇创精密电子有限公司			
TOLERANCE: X.X ±0.30 X.XX ±0.25 X.XXX ±0.15 X: ±2' X.X' ±0.5'	DRAWN BY :	DATE :	PART NAME:
	陈一鸣	2014-02-23	包装图
 UNIT: mm [inch] SCALE: 1:1 SIZE: A4	CHECKED BY:	DATE :	PART NO.
	马跃	2014-02-23	
	APPROVED BY:	DATE :	DRAW NO:
	邱敏	2014-02-23	
			SHEET NO. 1 OF 1