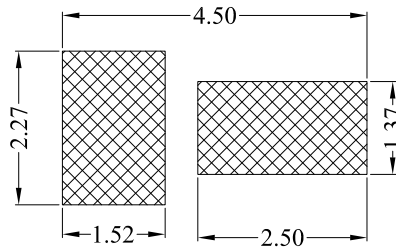
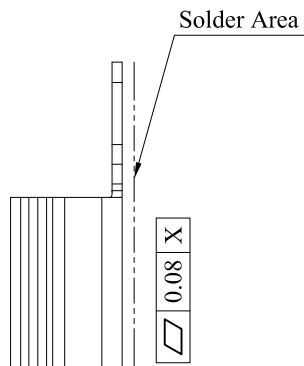
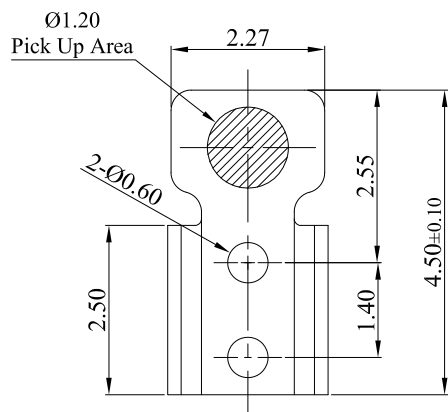


3D View



METAL MASK T=0.08
TOLERANCE:±0.05MM
(FOR REFERENCE ONLY)

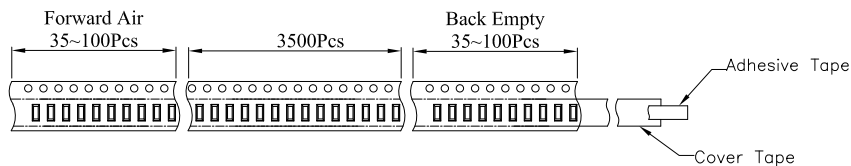
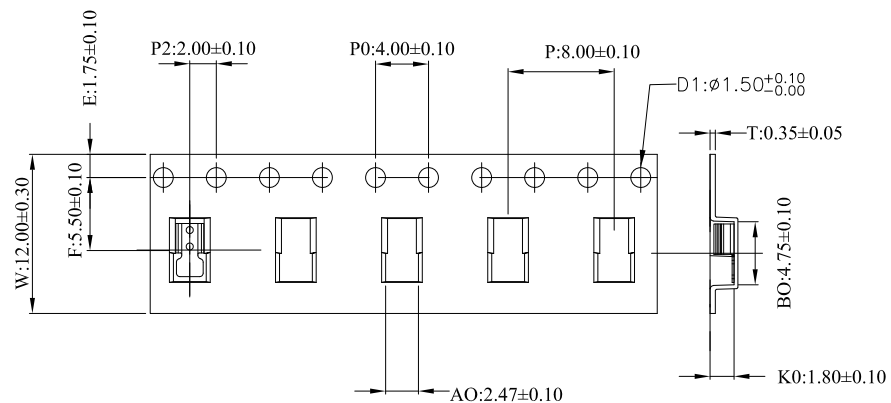
NOTES:

- 1:MATERIAL
- 1-1: SUS-301 THICKNE=0.15MM
- 2:SPECIFICATIONS
- 2-1: RATED CURRENT: 1.0A
- 2-2: VOLTAGE RATING: 1.5V
- 2-3: CONTACT RESISTANCE: 80mΩ/MAX
- 2-4: CLAMPING FORCE: 60-120g
- 2-5: WELDING THRUST: ≥3KG
- 2-6: OPERATING TEMPERATURE: -40°C~+85°C
- 3:DURABILITY: 1500 CYCLES
- 4:SALT SPRAY TIME: 24H
- 5: ALL NICKEL BOSE 2μm~7.6μm,OVERALL TIN PLATING ≥ 3μm
- 6:ELECTROPLATE: THE NICKEL-PLATED SUBSTRATE IS 50u" MIN
- 7:REQUIREMENTS
- 7-1:TERMINAL TO EAT FULL TIN,NOTPEELING,
WELDING OBVIOUS COLOR AND OTHER ADVERSE
- 7-2:ROHS、REACH、HF HALOGER ADVERSE OF DOMESTIC
AND INTERNATIONAL ENVIRONMNTAL REQUIREMENTS

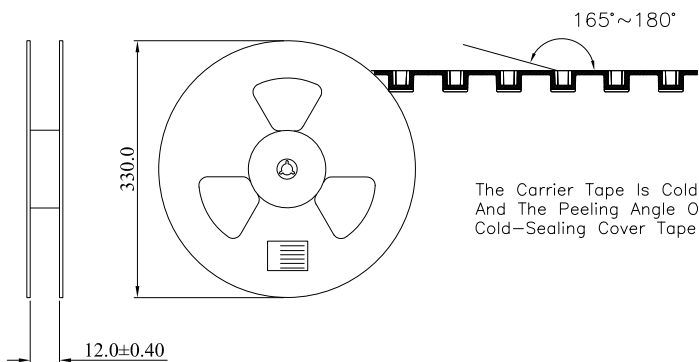


深圳市华宇创精密电子有限公司

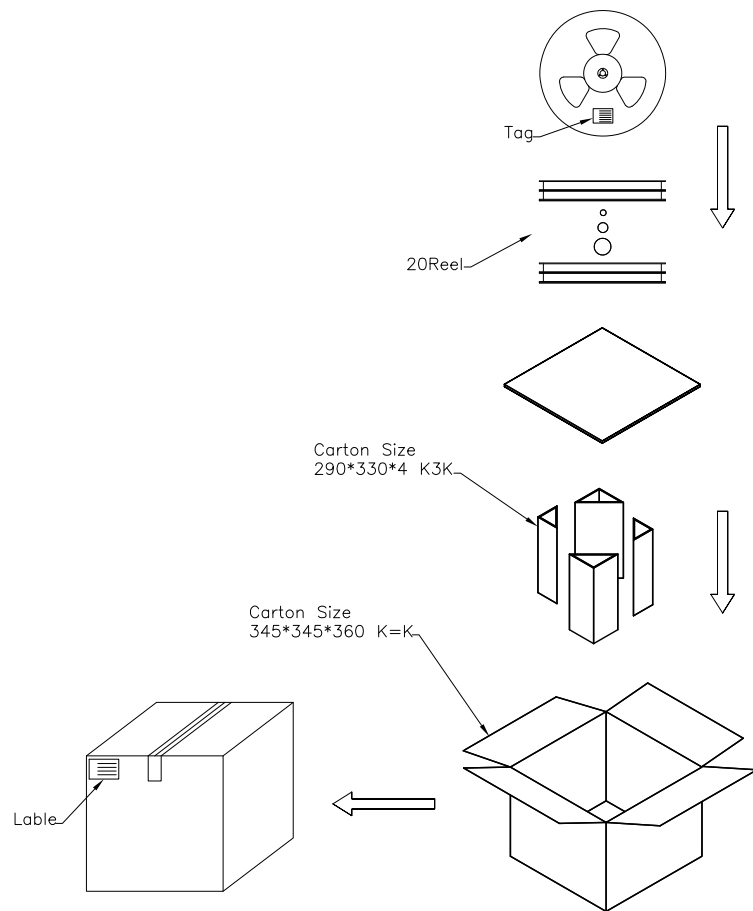
TOLERANCE: X.X ±0.30 X.XX ±0.25 X.XXX ±0.15 X.' ±2' X.X' ±0.5'	DRAWN BY : 陈一鸣	DATE : 2014-02-23	PART NAME: H1.65mm 线夹(1.37mm CABEL线)
	CHECKED BY: 马跃	DATE : 2014-02-23	PART NO. HYCW15-16A-165B
UNIT: mm [inch] SCALE:1:1 SIZE: A4	APPROVED BY: 邱敏	DATE : 2014-02-23	PART NO. HYC-2604021002
			SHEET NO. 1 OF 1



Customer To Use Direction Pull Out Direction (出料方向)



The Carrier Tape Is Cold-Sealed
And The Peeling Angle Of The
Cold-Sealing Cover Tape Is 165°~180°.



深圳市华宇创精密电子有限公司

TOLERANCE: X.X ±0.30 X.XX ±0.25 X.XXX ±0.15 X.' ±2' X.X' ±0.5'	DRAWN BY : 陈一鸣	DATE : 2014-02-23	PART NAME: 包装图	
	CHECKED BY: 马跃	DATE : 2014-02-23	PART NO.	
UNIT: mm [inch] SCALE:1:1 SIZE: A4	APPROVED BY: 邱敏	DATE : 2014-02-23	MOLD NO.	
			DRAW NO:	
			SHEET NO.	1 OF 1