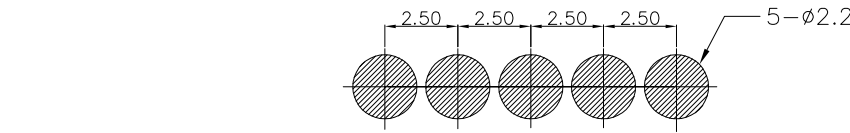
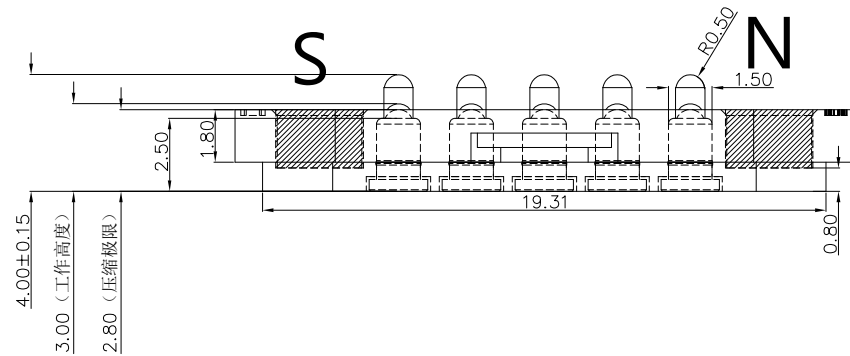
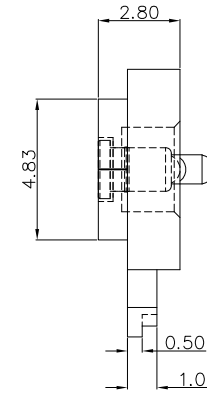
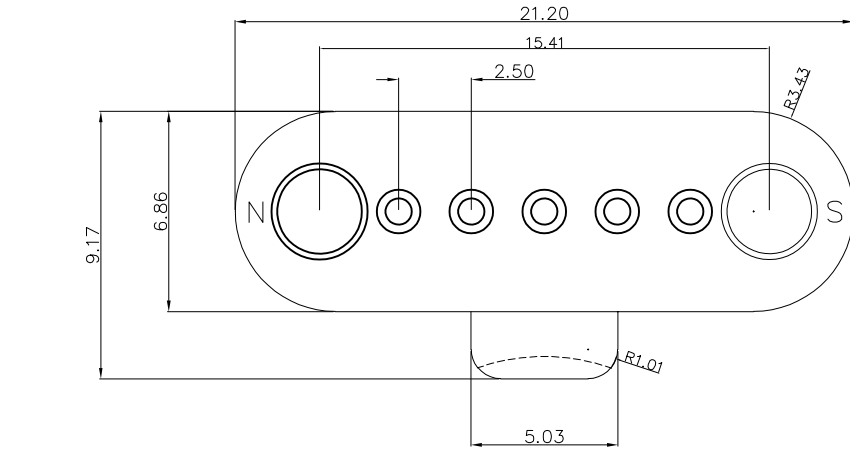


客户图



RECOMMENDED PCB LAYOUT

Note:

- Material (材料):
 Housing: PA9T (胶芯: PA9T)
 Barrel: Brass C3604 (针管: 黄铜 C3604)
 Plunger: Brass C3604 (针管: 黄铜 C3604)
 Spring: SUS304 (弹簧: SUS304)
 Magnet: NdFeB (磁铁: 钕铁硼)
- Plating (电镀):
 Barrel: 3u' Au over 50u'~80u' Ni (针管: 镀金3u', 镍底50u'~80u'.)
 Plunger: 3u' Au over 50u'~80u' Ni (针头: 镀金3u', 镍底50u'~80u'.)
 Magnet: Ni plated (镀镍)
 Spring: Not plated (弹簧: 不电镀)
- Electrical (电气特性):
 Rated Current & Voltage: DC 12V, 1A (额定电压&电流: 直流12V, 1A)
 Contact Resistance: 50 mohm Max. at working height.
 接触电阻: 最大50毫欧 (在工作高度状态下)
 Insulation Resistance: 1,000MΩ minimum. (绝缘电阻: 1,000MΩ以上)
 Dielectric Withstand Voltage: 500VAC/minute. (抗击电压: 500VAC/minute)
- Mechanical (机械性能):
 Force: 30g±8g at working height. (30g±8g 在工作高度)
 Durability: 10,000 cycles (min) (寿命: 10000次)
- Work Temperature (工作环境):
 Withstanding Hight Temperature: 280℃
 Operational Temperature: -20℃~+70℃
- 此款产品客户对磁铁方向有特殊要求: N端刻印的磁铁外露方向为S极, 而S端刻印的磁铁外露方向为N极, 切记方向不可弄错;

深圳市鑫探技术有限公司

HTTP://WWW.XYZPOGOPIN.COM

TEL: 0755-28773277 FAX: 0755-28891353



SCALE:	N/A	UNIT	mm
SHEET:	1 of 1	PROJECTION	
DATE:	2025.4.12	VER.	A.1

THE UNMARKED TOLERANCE ARE AS BELOW :			
LENGTH		ANGLE	
X.XX	±0.05mm	X.XX	±0.50°
X.X	±0.10mm	X.X	±1.00°
X.	±0.20mm	X.	±2.00°

DESIGNED BY:		DWG. NO.	YZ00415040R-05025-02
CHECKED BY:		TITLE:	Pogo pin 连接器
APPROVED BY:			