

RECOMMEND PCB LAYOUT
TOLERANCE: ±0.05
TOP VIEW

MATERIALS

1. HOUSING : HI.-TEMP.PLASTIC(UL 94V-0), BLACK.
2. TERMINAL : COPPER ALLOY,
PLATING : GOLD PLATED ON CONTACT AREA,
TIN PLATED ON SOLDER TAILS.
NICKEL PLATED OVERALL.
3. SHELL : COPPER ALLOY,
PLATING : NICKEL PLATED OVERALL.
4. EMI SHIELD : STEEL.

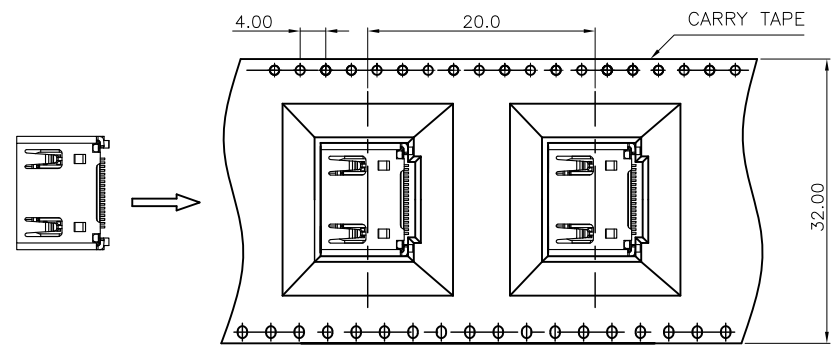
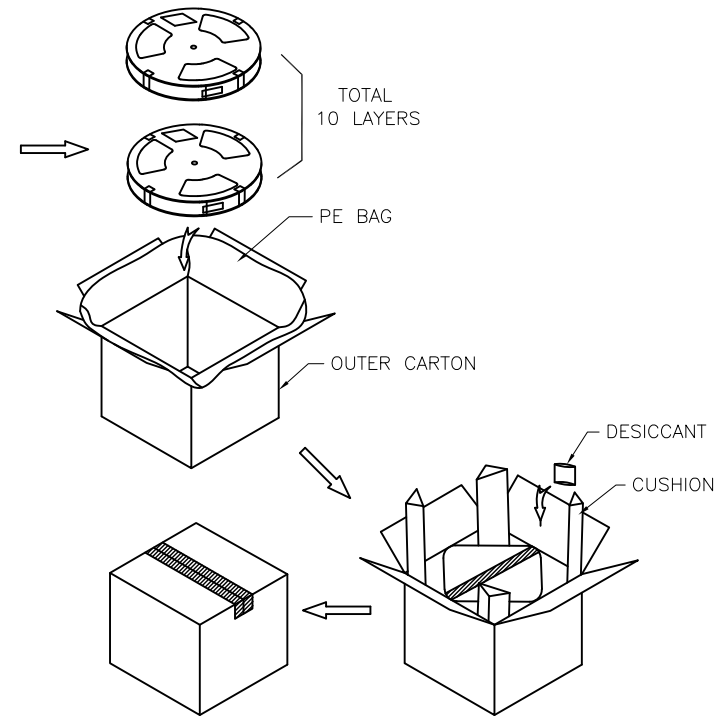
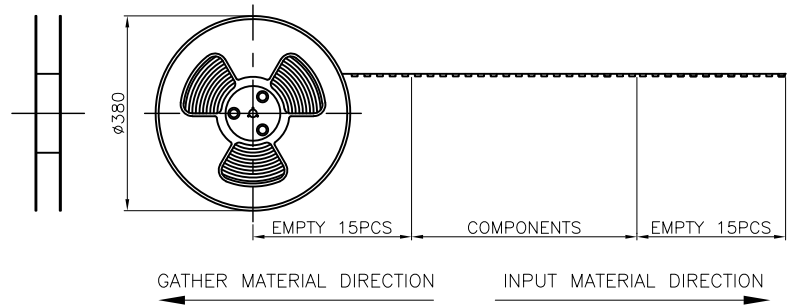
SPECIFICATION

1. CURRENT RATING : 0.5 A. MAX.
2. DIELECTRIC WITHSTANDING VOLTAGE :
500V AC R.M.S. FOR 1 MINUTE.
3. INSULATION RESISTANCE : 100MΩ MIN.AT 500V DC.
4. CONTACT RESISTANCE : 30mΩ MAX.
5. OPERATING TEMPERATURE : -25°C TO +85°C.
6. INSERTION FORCE : 4.5Kgf MAX.
7. WITHDRAWING FORCE : 1Kgf ~ 4Kgf.




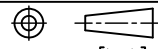
深圳市华宇创精密电子有限公司

TOLERANCE: X.X ±0.30 X.XX ±0.25 X.XXX ±0.15 X' ±2' X.X' ±0.5'	DRAWN BY : 陈一鸣	DATE : 2014-02-23	PART NAME: HDMI2.1 A TYPE 卧式SMT 脚长2.0
	CHECKED BY: 马跃	DATE : 2014-02-23	PART NO. : HYCW191-HDMI19-200B
UNIT: mm [inch] SCALE:1:1 SIZE: A4	APPROVED BY: 邱敏	DATE : 2014-02-23	MOLD NO. : /
			DRAW NO. : HYC-2603301032
			SHEET NO. : 1 OF 1



PACKAGE :

1. CORTON SIZE: 400x400x400mm (LxWxH)
2. 500 PCS/REEL
3. 10 REEL/CARTON = 5000PCS

 深圳市华宇创精密电子有限公司			
TOLERANCE: X.X ± 0.30 X.XX ± 0.25 X.XXX ± 0.15 X.' $\pm 2'$ X.X' $\pm 0.5'$	DRAWN BY : 陈一鸣	DATE : 2014-02-23	PART NAME: 包装图
	CHECKED BY: 马跃	DATE : 2014-02-23	PART NO.
 UNIT: mm [inch] SCALE: 1:1 SIZE: A4	APPROVED BY: 邱敏	DATE : 2014-02-23	PART NO.
			DRAW NO:
			SHEET NO. 1 OF 1