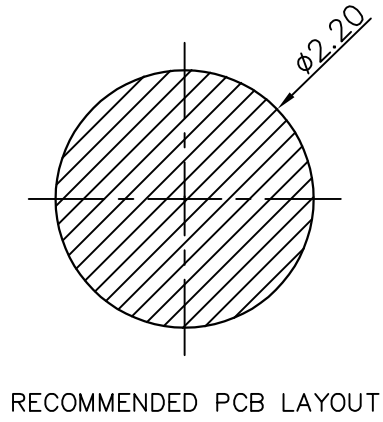
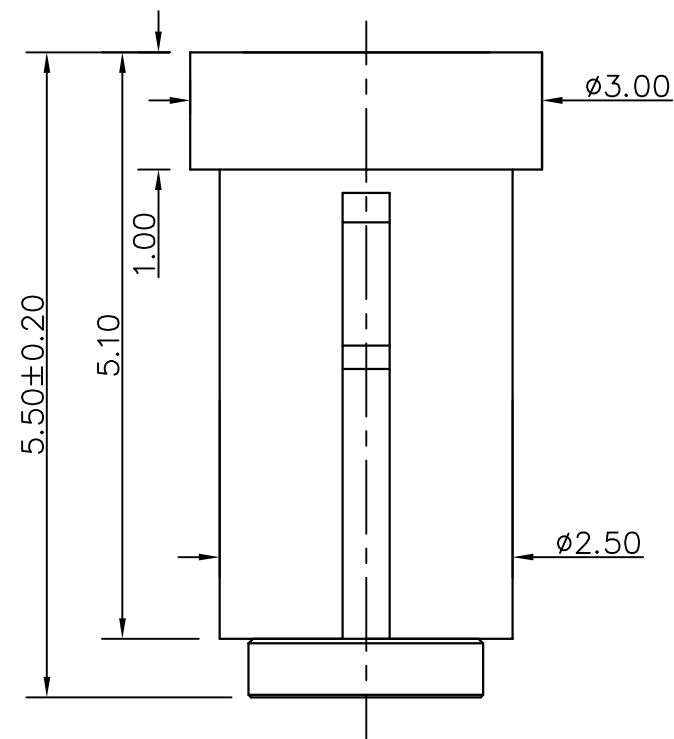
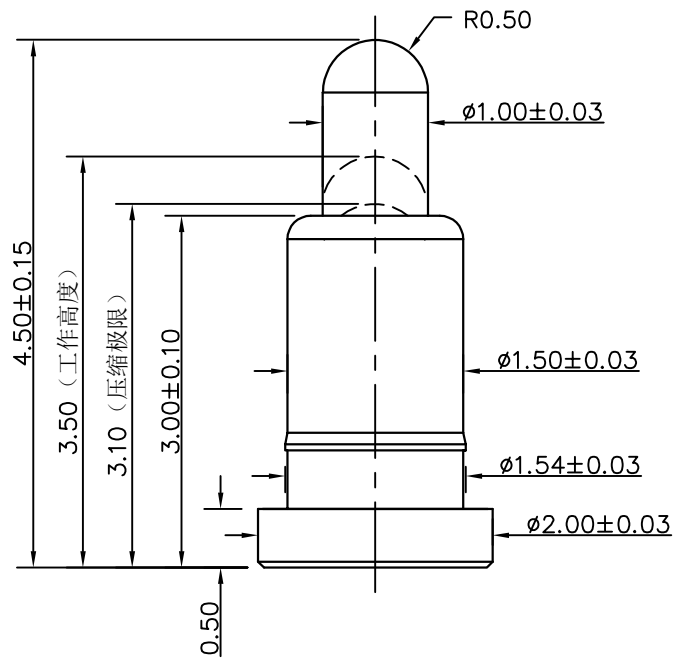


# 客户图

NO.	ECN NO.	DESCRIPTION	DATE



- Note:
- Material (材料):
    - Cap: PA46+30%GF (胶盖: PA46)
    - Barrel: Brass C3604 (针管: 黄铜 C3604)
    - Plunger: Brass C3604 (针头: 黄铜 C3604)
    - Spring: SUS304 (弹簧: SUS304)
  - Plating (电镀):
    - Barrel: 3u' Au over 50~80u' Ni (针管: 镀金3u', 镍底50~80u'.)
    - Plunger: 3u' Au over 50~80u' Ni (针头: 镀金3u', 镍底50~80u'.)
    - Spring: Gold plated (弹簧: 镀金)
  - Electrical (电气特性):
    - Rated Current & Voltage: DC 12V;1A (额定电压&电流: 直流12V,1A)
    - Contact Resistance: 50 mohm Max. at working height. (接触电阻: 最大50毫欧 (在工作高度状态下))
  - Mechanical (机械性能):
    - Force: 130g±20% at working height. (130g±20% 在工作高度)。
    - Durability: 10,000 cycles(min) (寿命: 10000次)
  - Work Temperature (工作环境):
    - Withstanding Higt Temperature: 280°C
    - Operational Temperature: -20°C ~ +70°C

深圳市鑫探技术有限公司



HTTP://WWW.XYZPOGOPIN.COM  
TEL: 0755-28773277 FAX: 0755-28891353

SCALE:	N/A	UNIT	mm
SHEET:	1 of 1	PROJECTION	
DATE:	2025.2.27	VER.	A.0

THE UNMARKED TOLERANCE ARE AS BELOW :			
LENGTH		ANGLE	
X.XX	±0.05mm	X.XX	±0.50°
X.X	±0.10mm	X.X	±1.00°
X.	±0.20mm	X.	±2.00°

DESIGNED BY:		DWG. NO.	YZ00515045R-01
CHECKED BY:		TITLE:	成品图
APPROVED BY:			