

GT-TC036X-HXXX-LX

G-Switch

Operating Force

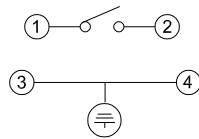
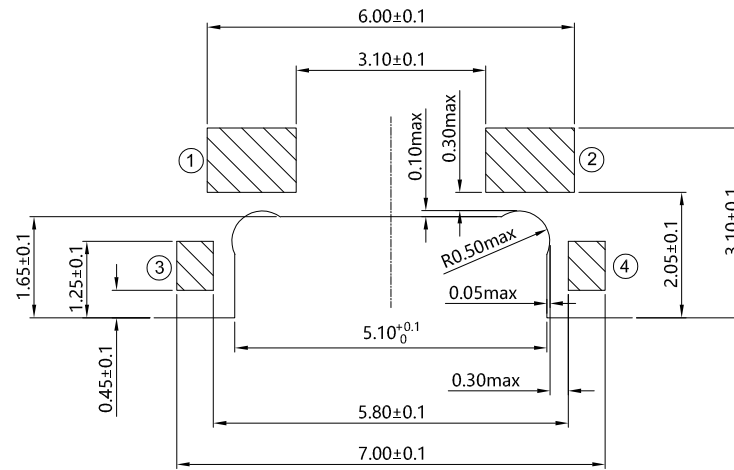
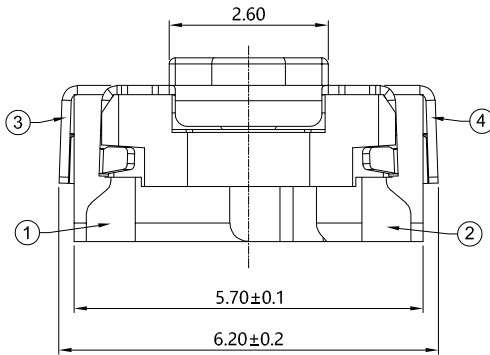
A=180gf
B=250gf
D=350gf

Switch Height

H031=3.1mm
H035=3.5mm

Switch Lifetime (Force)

L1=100,000 Cycles
L3=300,000 Cycles



CIRCUIT DIAGRAM

RECOMMENDED PCB LAYOUT
TOLERANCE:±0.05

G-Switch Specification:

1. Operating temperature range: -40°C ~ +85°C
2. Rating: 20mA, 15V DC
3. Insulation resistance: 100MΩ min, 100V DC
4. Dielectric strength: 250V AC for 1 min
5. Contact resistance: 100mΩ max.
6. Travel: 0.2±0.10mm

6	COVER	SUS	
5	STEM	LCP-130i	WIHTE
4	GLUE	PI	
3	CONTACT	STAINLESS STEEL	Ag PLATING
2	TERMINAL	COPPER ALLOY	Ag PLATING
1	BASE	HIGH TEMPERATURE PLASTIC	BLACK
NO.	PART NAME	MATERIAL	REMARK



RoHS
Compliant
EU RoHS Standards



SCALE: 1:1 UNIT: mm
SIZE: A4

Unless otherwise
General Tolerance:
X. ±0.25
X.x ±0.20
X.xx ±0.15
X° ±5°
X.x° ±3°

Title: Horizontal Tact Switch
SMT Mid-Mount 2.15 6.2×3.5×Hmm

Molde Code: GT-TC036X-HXXX-LX

DRAWN	CHECKED	APPROVED	DATE
Xia	Chen	Chen	2023.02.01



REV: A0 SHEET: 1/1