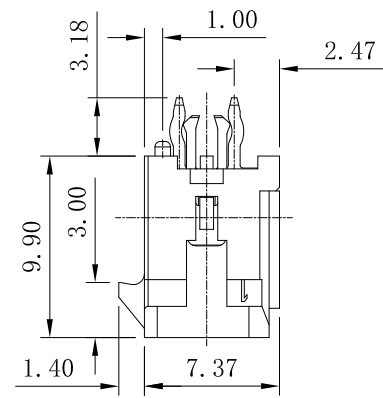
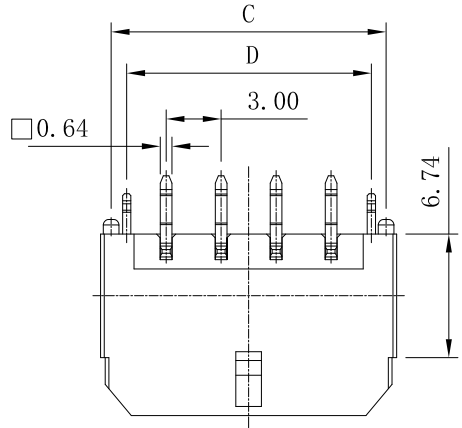
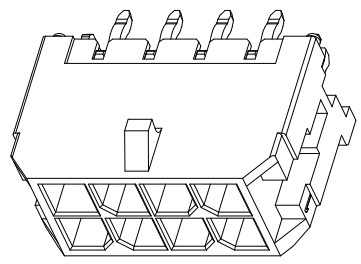
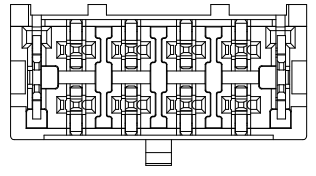


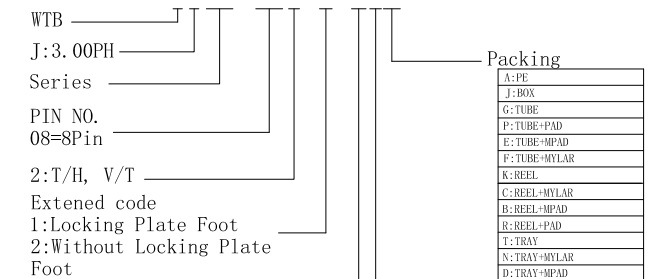
REV.	ECN Number	Description	Drawn
1	CS25080088	First Edition Issue	L.L2025/08/20



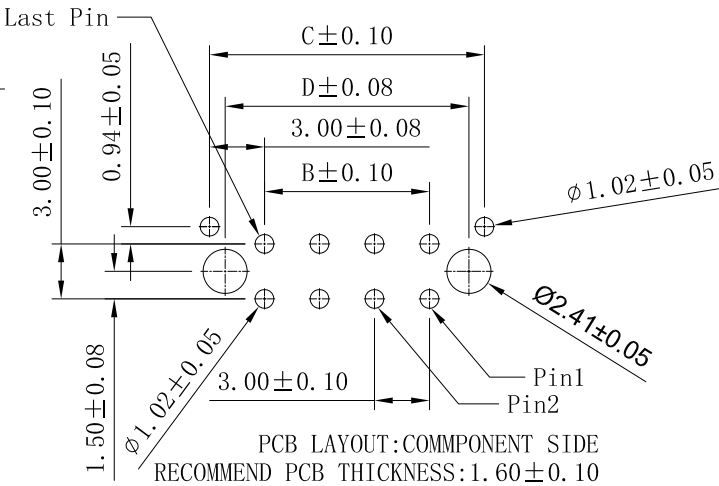
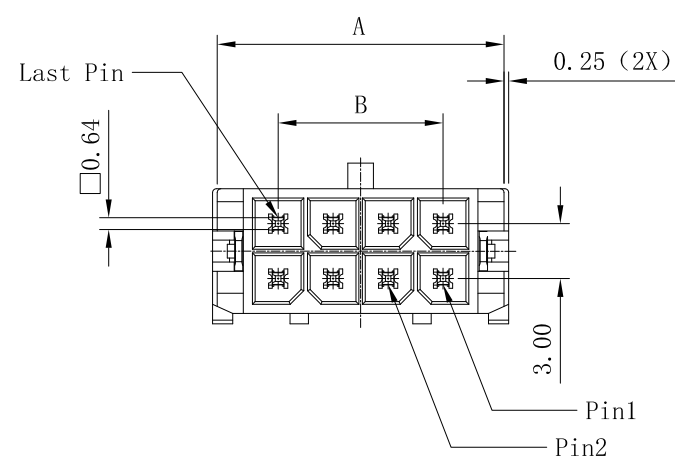
Specifications:

- Dimensions Shall Be Interpreted Per Asme Y14.5-2009.
Product Comply ROHS Specification.
- Material Of Components:
 - Insulator Material: LCP, Black.
 - Contact Material: Terminal: Brass.
 - Contact Material: Case Contact: Brass.
- Product Number Matrix:

WJ01-XX2-X-VHT



Packing	
A:PE	
J:BOX	
G:TUBE	
P:TUBE+PAD	
E:TUBE+MPAD	
F:TUBE+MYLAR	
K:REEL	
C:REEL+MYLAR	
B:REEL+MPAD	
R:REEL+PAD	
T:TRAY	
N:TRAY+MYLAR	
D:TRAY+MPAD	
M:TRAY+PAD	
S:HOT SEALING REEL	
L:HOT SEALING REEL+PAD	
Q:HOT SEALING REEL+MPAD	
U:HOT SEALING REEL+MYLAR	

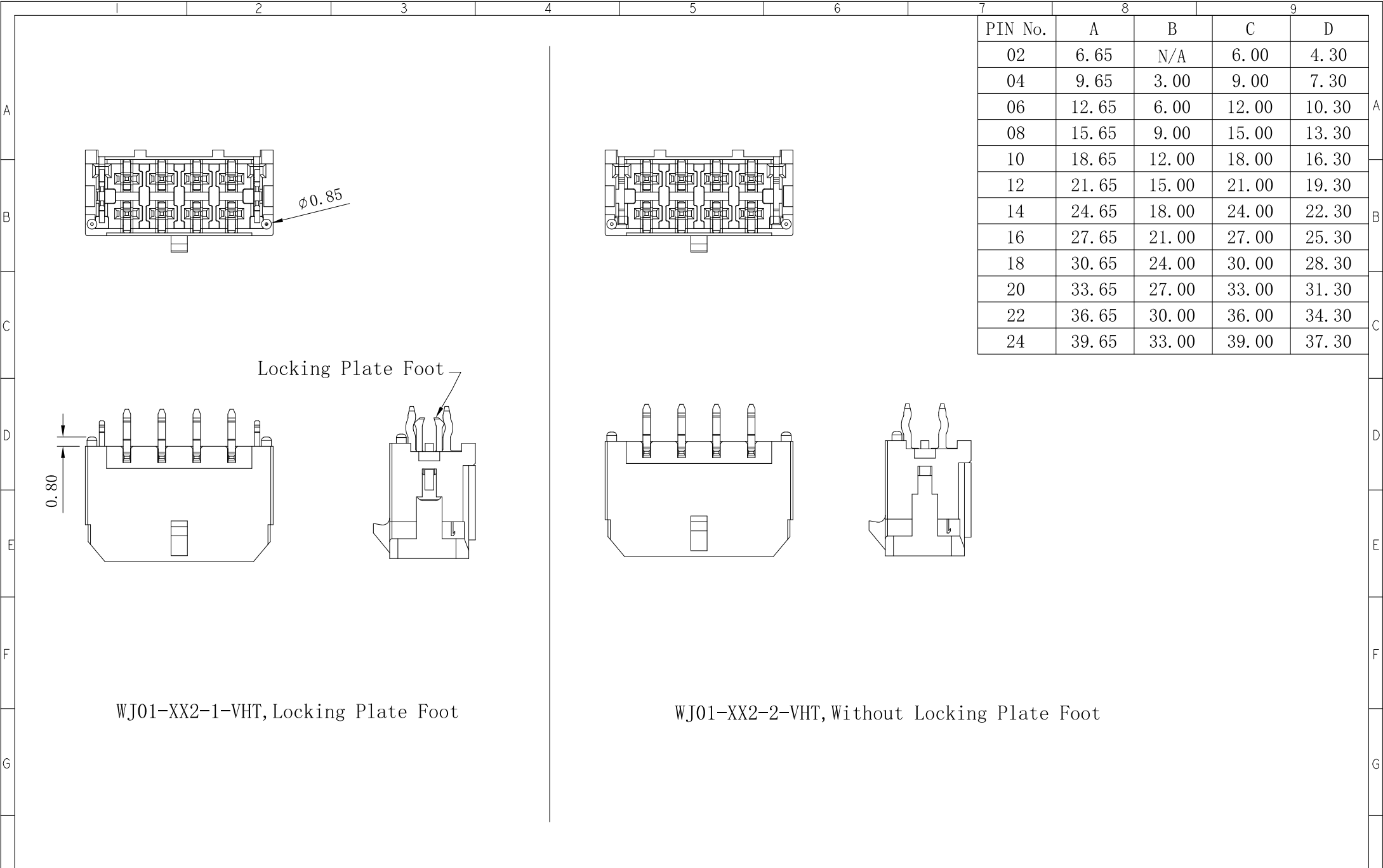


plating	
Definition	Code
⊙Matte Tin plated	A
⊙Bright Tin plated	V
⊙Gold plated over all	
flash	B 1u" R 3u" C
5u" D	10u" E 15u" F
20u" G	25u" H 30u" J
⊙Duplex plated	
flash	K 1u" S 3u" L
5u" M	10u" N 15u" P
20u" Q	25u" T 30u" U
⊙All plated is lead free.	

Null:Thermoplastic
H:Halogen Free
F:High Temperature
Thermoplastic

PCB LAYOUT:COMMON SIDE
RECOMMEND PCB THICKNESS:1.60±0.10

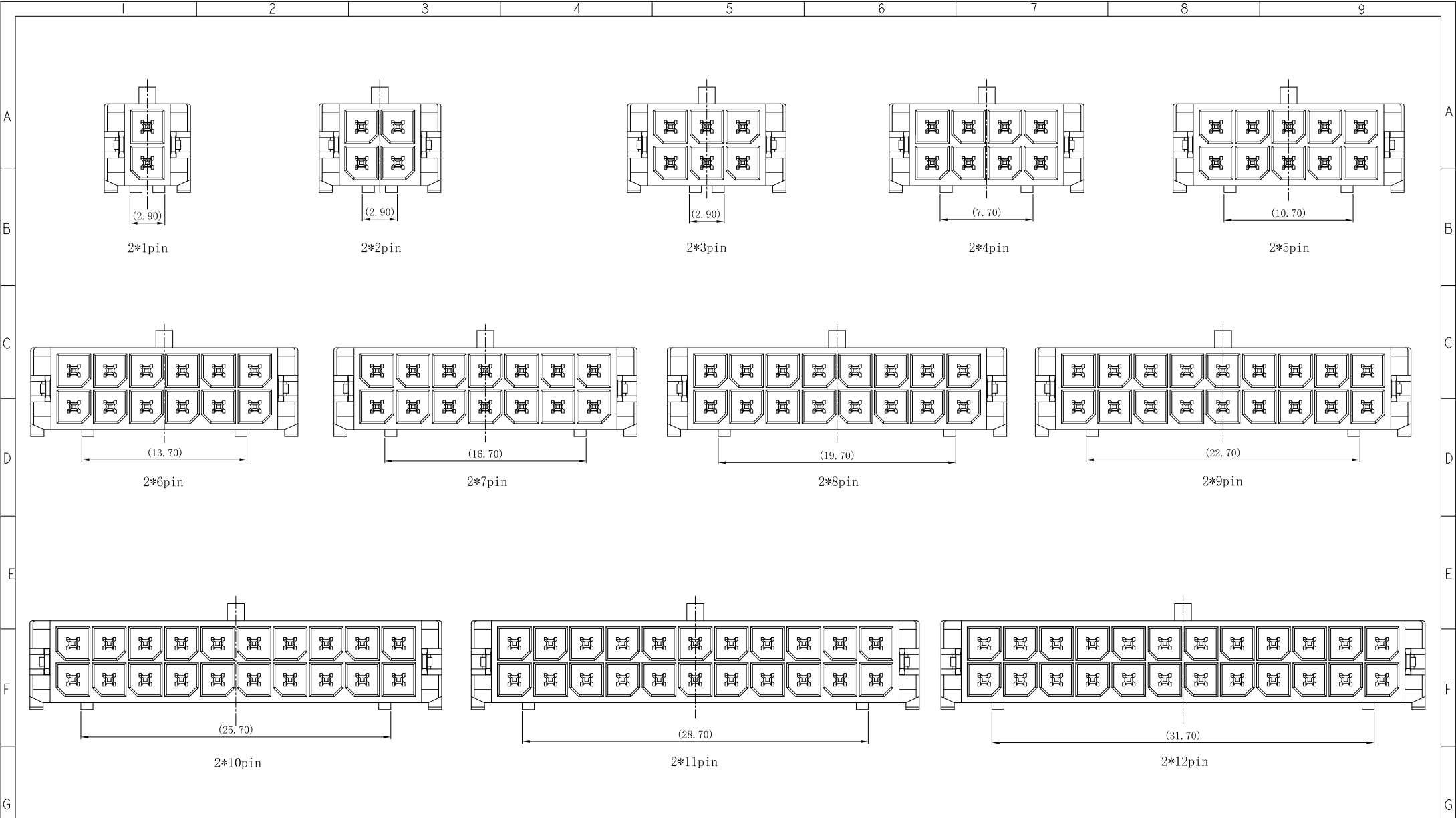
 ShenZhen ShenTai weixiang Electronics Co., Ltd.	TOLERANCE UNLESS OTHERWISE SPECIFIED			SCALE 1:1	ORIGINAL DRAWN: Lun Li	DATE 2025/08/20	DWG. NO. 600-0000-0800	TITLE Micro Fit 180° DIP Bending Needle Customer Diagram	REV. 1
	X.X	±0.35	X.°	±3°	UNIT MM	CHECK: Zan Zhu			DATE 2025/08/20
	X.XX	±0.20	X.X°	±2°	SIZE A4	APPROVE: Wolfe Liu	DATE 2025/08/20	PARTS NO. (INTENDED USE) WJ01-XX2-X-VHT	
	X.XXX	±0.10	X.XX°	±1°					



WJ01-XX2-1-VHT, Locking Plate Foot

WJ01-XX2-2-VHT, Without Locking Plate Foot

 ShenZhen ShenTai weixiang Electronics Co., Ltd.	TOLERANCE UNLESS OTHERWISE SPECIFIED				SCALE 1:1	ORIGINAL DRAWN: Lun Li	DATE 2025/08/20	DWG. NO. 600-0000-0800	TITLE Micro Fit 180° DIP Bending Needle Customer Diagram	REV. 1
	X. X	±0.35	X. °	±3°	UNIT MM	CHECK: Zan Zhu	DATE 2025/08/20			PARTS NO. (INTENDED USE) WJ01-XX2-X-VHT
	X. XX	±0.20	X. X°	±2°	SIZE A4	APPROVE: Wolfe Liu	DATE 2025/08/20			
	X. XXX	±0.15	X. XX°	±1°						



Schematic Diagram of Anti-Fool Position of Docking Port With Different Pin Numbers



TOLERANCE UNLESS OTHERWISE SPECIFIED			
X.X	±0.35	X.°	±3°
X.XX	±0.20	X.X°	±2°
X.XXX	±0.10	X.XX°	±1°

SCALE	16:5
UNIT	MM
SIZE	A4

ORIGINAL DRAWN:	Lun Li
DATE	2025/08/20
CHECK:	Zan Zhu
DATE	2025/08/20
APPROVE:	Wolfe Liu
DATE	2025/08/20

DWG. NO.	600-0000-0800
PARTS NO. (INTENDED USE)	WJ01-XX2-X-VHT

TITLE	Micro Fit Plastic Foolproof Position
-------	--------------------------------------

REV.	1
SHEET	3/3