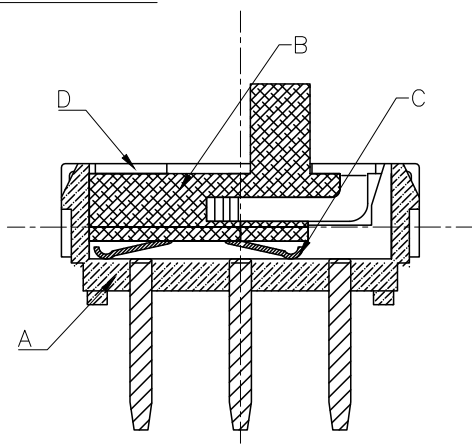
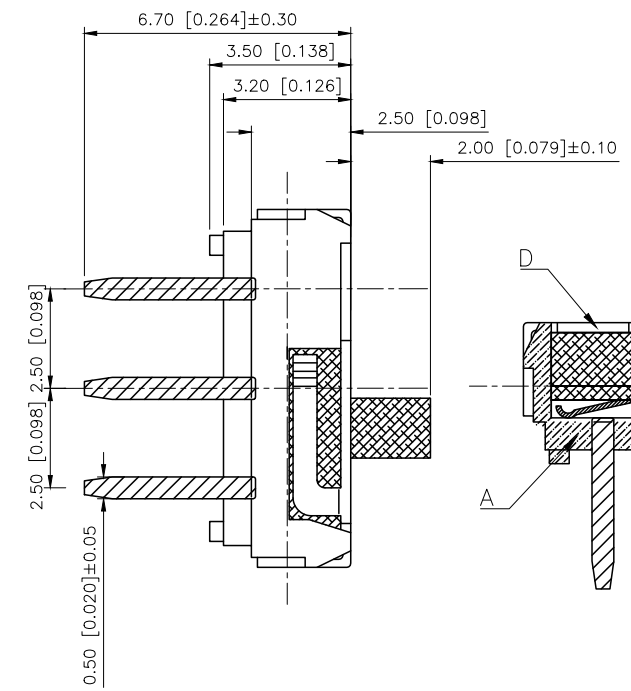
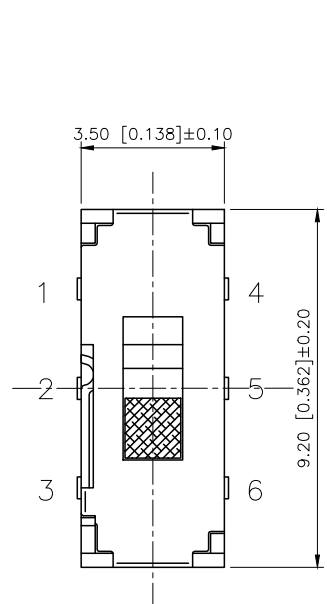


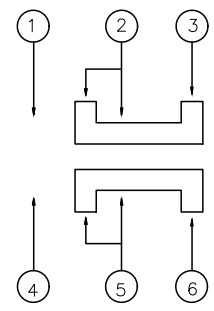
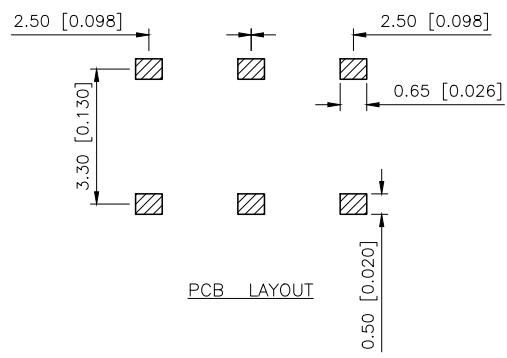
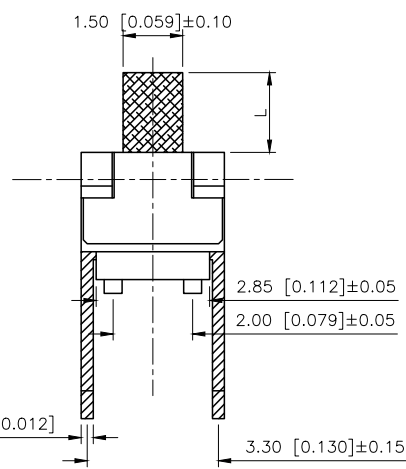
REVISIONS					
REV.	ECN NO.	LOCATION	DESCRIPTION	DATE	DESIGN
A1	N/A		图面升级整理图面	2025.06.17	阿树
A2	ECN-P-2026013101		产品尺寸及外观变更	2026.01.31	阿树



Specifications (规格):

- 1.Voltage rating (额定电压):DC 12V
- 2.Current rating (额定电流):0.5A AC/DC
- 3.Withstanding voltage (耐压值):≥100V AC/minute
- 4.Insulation resistance (绝缘电阻):≥100MΩ Min
- 5.Mating cycles (使用寿命): 10,000 cycles Min
- 6.Operating force (操作力): 200±100gf
- 7.Temperature range (使用温度):-10℃~+60℃

PAPT NO	L
SS-3235D-02-L1	2.0
SS-3235D-02-L2	3.0
SS-3235D-02-L3	4.0



D	Cover	1	SUS	Silver-white
C	Contact spring	2	Phosphor branze	Ag Plated Silver-white
B	Keystake	1	Nylon	Black
A	Base	1	PPA Brass	Black Ag Plated
ITEM	PAPT NAME	QTY	MATERIAL	FINISHING/COLOER

AuGLAR	±5°
X.	±0.40
X.x	±0.30
X.xx	±0.20
X.xxx	±0.15
UNSPECIFIED TOLERAUCES	



DESIGN	阿树	VIEW:		MODEL TYPE:	SLIDE SWITCH
CHECKED		UNIT:	mm/in	PART NO.:	SS-3235D-02-x
APPROVED		SIZE:	A4	DWG NO.:	