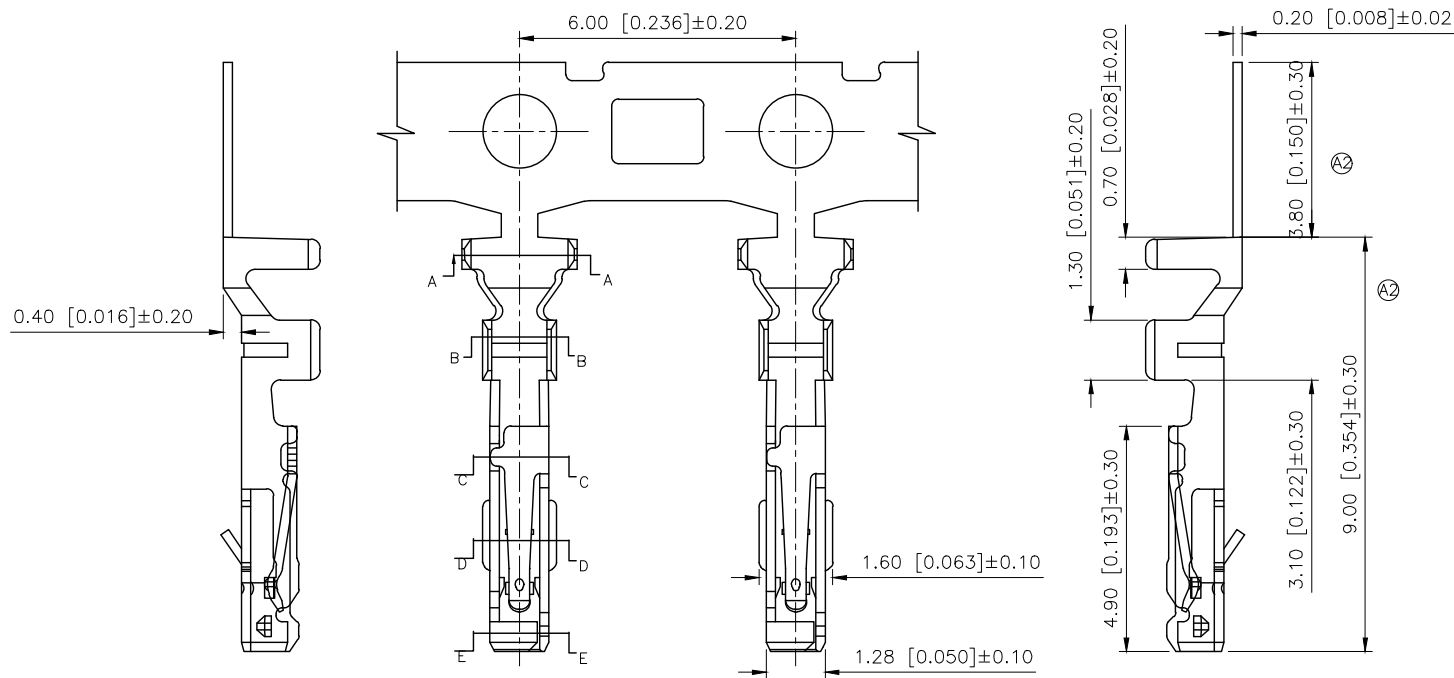


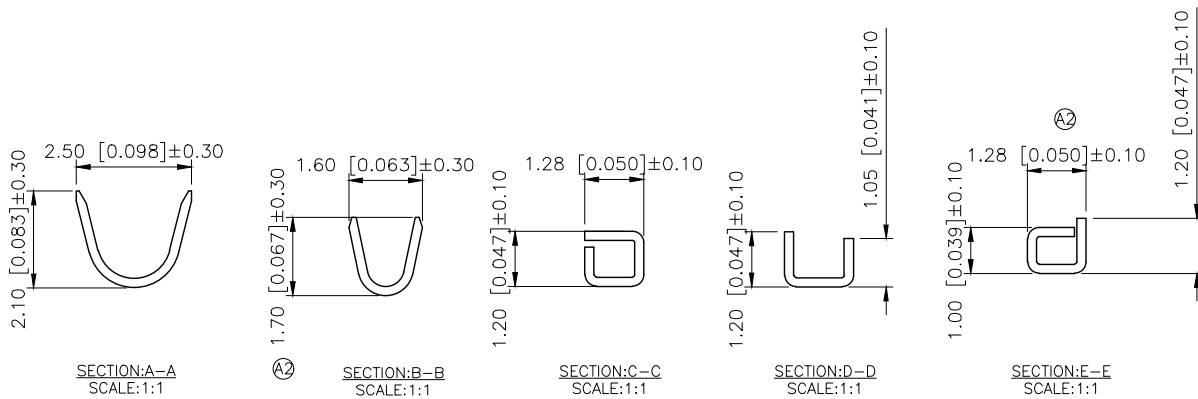
REVISIONS					
REV.	ECN NO.	LOCATION	DESCRIPTION	DATE	DESIGN
A1	N/A			2025.08.04	
A2	ECN-P-2026031704	ⒶX5		2026.03.17	



- Specifications()
- 1.Voltage rating():DC 250V
 - 2.Current rating():3A AC/DC
 - 3.Withstanding voltage(): 800V AC/minute Ⓐ
 - 4.Insulation resistance(): 1000MΩ Min
 - 5.Contact resistance():≤20mΩ Max
 - 6.Temperature range():−40 ~+125

PART NO.:
X2081 I-P SN

Series No
Category:T-Terminal
Material:P-Phosphor Bronze
Plating style:SN-Bright tin plating;



X2081T-PSN	phosphor Bronze	AWG#28-22	1.4mm(Max)	Tin-plated	X2081H
PART NO	Material	Wire Range	Insulation OD	Finish	Suitable XKB Terminal

AuGLAR	±5°
X.	±0.40
X.x	±0.30
X.xx	±0.20
X.xxx	±0.15
UNSPECIFIED TOLERANCES	



DESIGN	VIEW:	MODEL TYPE: 2.0mm Crimp Style Connector
CHECKED	UNIT: mm/in	PART NO.: X2081T-PSN
APPROVED	SIZE: A4	DWG NO.: