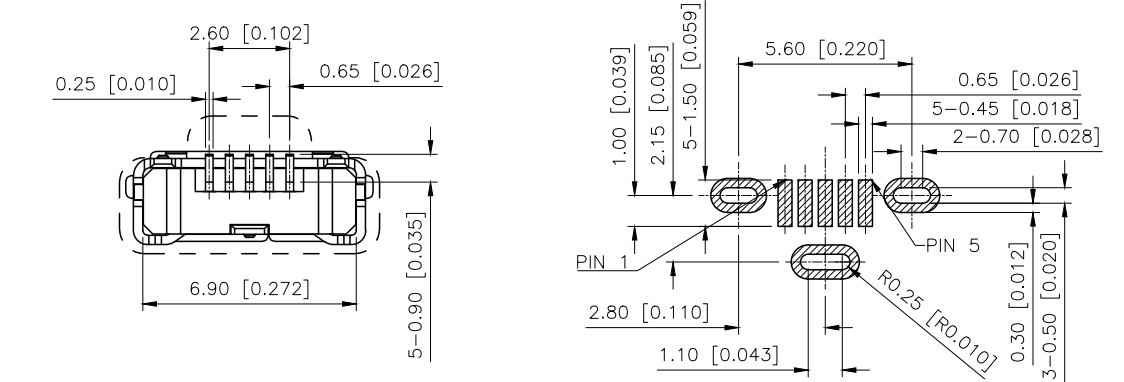
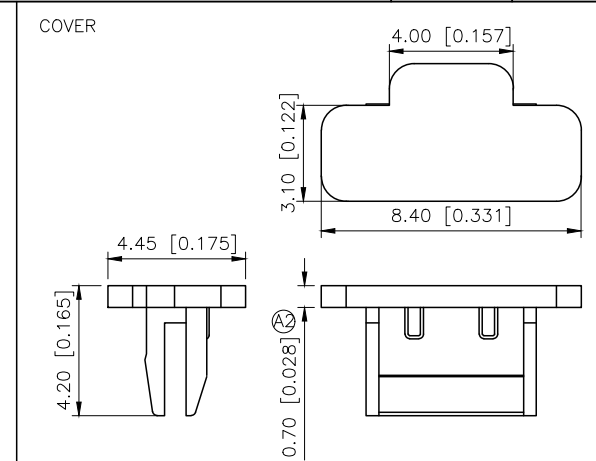
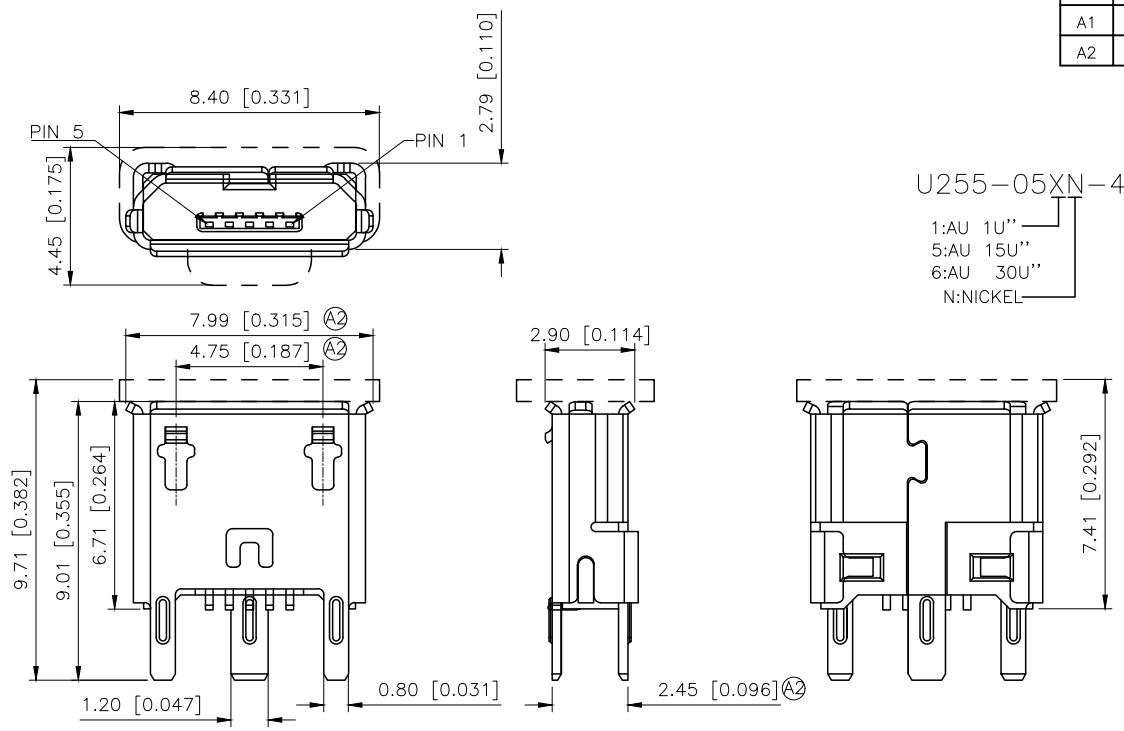


REVISIONS					
REV.	ECN NO.	LOCATION	DESCRIPTION	DATE	DESIGN
A1	N/A		图面升级整理图面	2025.03.05	阿树
A2	ECN-P-2026011201	A2X4	产品外观及尺寸变更	2026.01.12	阿树



RECOMMEND PCB LAYOUT(THICKNESS=1.6mm)  
TOLERANCE: ±0.05

- Notes:
- Specifications:
1. Current rating: 1 A Max.
  2. Dielectric withstanding:voltage: 100V(AC) for 1 min.
  3. Contact resistance: 50 mΩ Max.
  4. Insulation resistance: 100MΩ Min.
  5. Total mating force: 3.57 Kgf Max.
  6. Total unmating force: 1.0 Kgf Min.0.81~2.05 Kgf Min.after 10000 insertion/extraction cycles
  7. Temperature range: -30°C~+80°C
  - 8.Material:
- Housing Material: LCP UL94V-0, black  
Contact Terminal: Phosphor bronze t=0.15  
Metallic Shell: SUS201 t=0.30

MICRO USB B TYPE PIN ASSIGNMENTS

PIN NUMBER	1	2	3	4	5
SIGNAL NAME	VBUS	D-	D+	ID	GND

AuGLAR	±5°
X.	±0.40
X.x	±0.30
X.xx	±0.20
X.xxx	±0.15
UNSPECIFIED TOLERAuCES	



DESIGN	阿树	VIEW:		MODEL TYPE:	MICRO USB
CHECKED		UNIT:	mm/in	PART NO.:	U255-05XN-4BH74-XS
APPROVED		SIZE:	A4	DWG NO.:	

XKB INDUSTRIAL PRECISION CO.,LIMITED

SCALE	PAGE	REVISION
N/A	1/1	A2