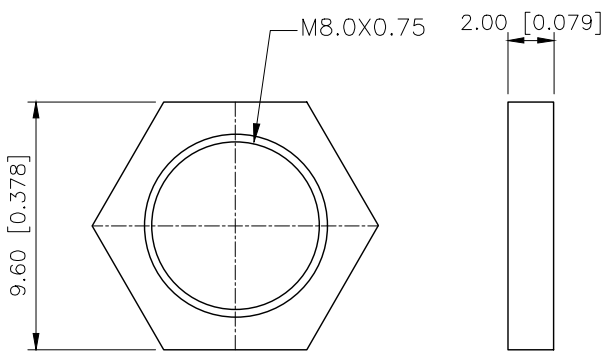
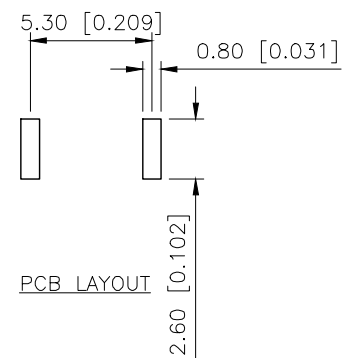
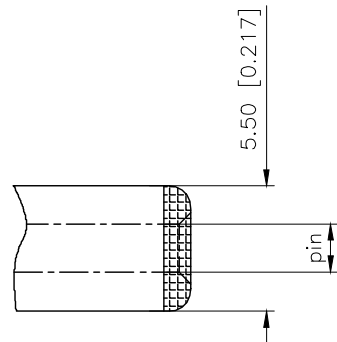
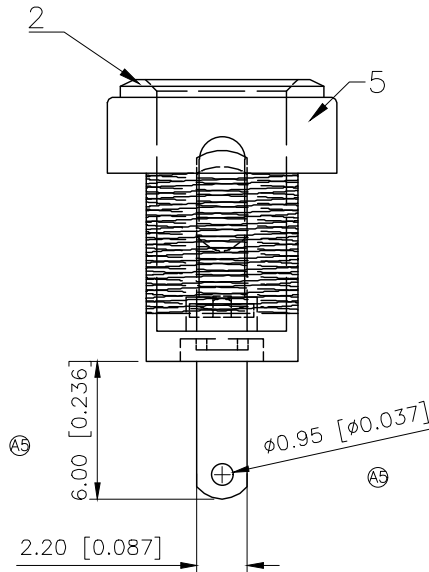
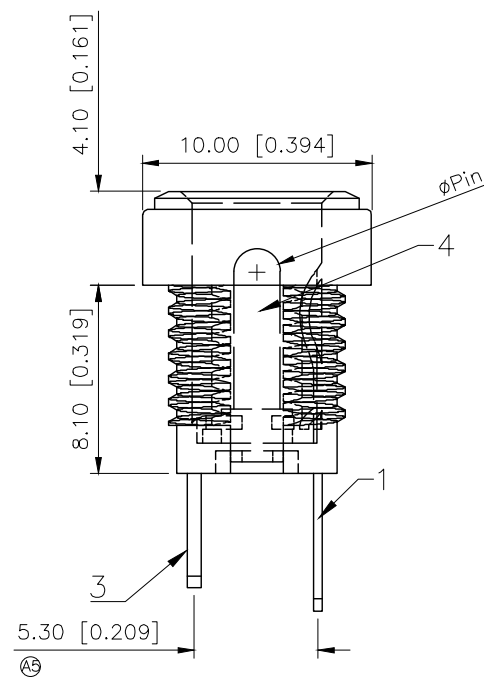


REVISIONS					
REV.	ECN NO.	LOCATION	DESCRIPTION	DATE	DESIGN
A4	N/A			2025.11.07	
A5	ECN-P-2026012801	Ⓐ5X3		2026.01.28	



- Specifications( )
- Voltage rating( ):DC 30V
  - Current rating( ):2A AC/DC
  - Withstanding voltage( ): AC500V(50Hz) /minute
  - Insulation resistance( ): 100MΩ Min
  - Contact resistance( ):≤30mΩ Max
  - Mating cycles 5000 cycles Min
  - Insertion and extraction force 3~20N
  - Temperature range( ): -20 ~+80

SCHEMATIC		3
		1
Model	DC-022B	
Center Pin	φ2.0mm	
	φ2.5mm	

NO	NAME	QTY	MATERIAL	PLATING
6	Nut	1	Brass	Nickel
5	Pedestal	1	PA66	Black
4	Pin	1	Brass	CuSn-Plated
3	Bends	1	Brass t=0.4mm	Ag-Plated
2	Bronze bushing	1	Brass	CuSn-Plated
1	Shrapnel	1	Brass t=0.6mm	Ag-Plated

AuGLAR	±5°
X.	±0.40
X.x	±0.30
X.xx	±0.20
X.xxx	±0.15
UNSPECIFIED TOLERANCES	



DESIGN		VIEW:	MODEL TYPE: DC POWER JACK
CHECKED		UNIT: mm/in	PART NO.: DC-022B-2.0
APPROVED		SIZE: A4	DWG NO.: