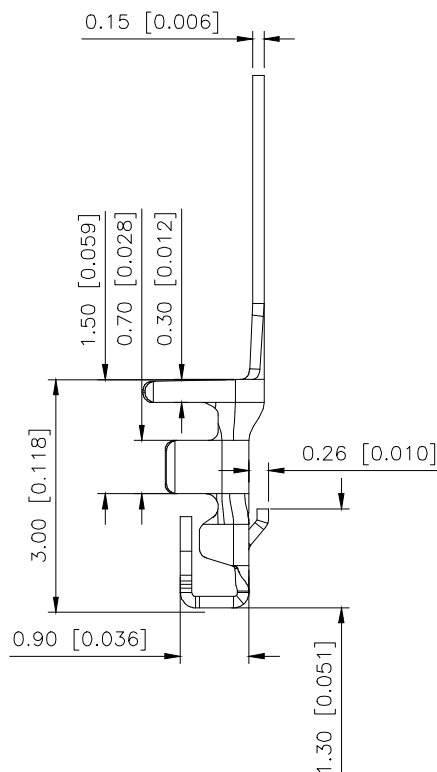
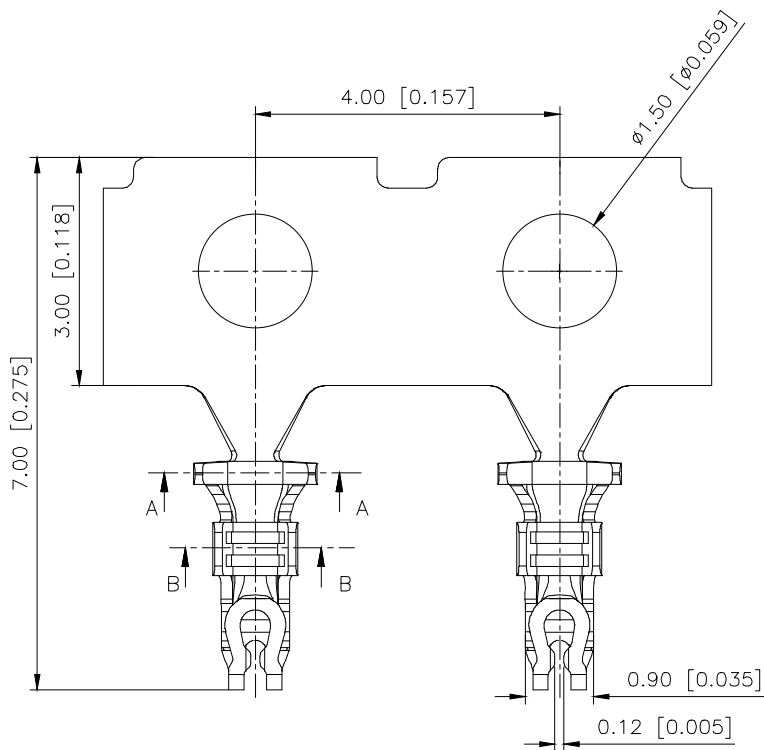


REVISIONS					
REV.	ECN NO.	LOCATION	DESCRIPTION	DATE	DESIGN
A1	N/A			2025.09.17	
A2	ECN-P-2025120303			2025.12.03	



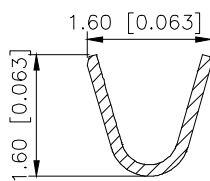
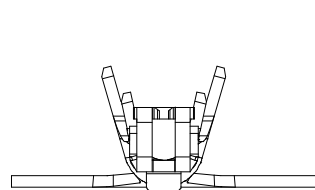
Specifications:

Voltage rating:30V AC/DC
 30V AC/DC
 Current rating:3A AC/DC
 3A AC/DC
 Withstanding voltage:500V AC/minute
 500V AC/
 Temperature range:-40 -+125
 -40 -+125
 Insulation resistance:100MΩ
 100MΩ
 Contact resistance:20mΩ Max
 20mΩ Max

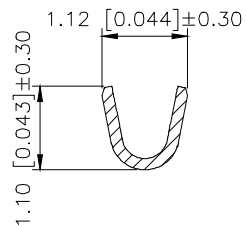
PART NO.:

X1300 I-P V01

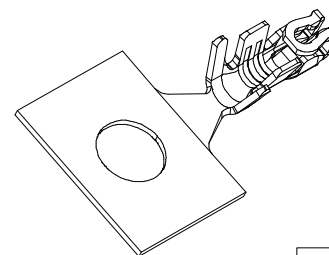
Series Number.
 Category: T-terminal
 Material:P-Phosphor Bronze
 Plating:V01-Gold Flash



SECTION:A-A
SCALE:1:1



SECTION:B-B
SCALE:1:1



X1300T-PV01	High conductivity copper	AWG#26~28 O.D 0.98mm Max	X9635TF
PART NO	Material	Wire Range	Suitable XKB Terminal

AuGLAR	±5°
X.	±0.40
X.x	±0.30
X.xx	±0.20
X.xxx	±0.15
UNSPECIFIED TOLERANCES	



DESIGN	VIEW:	MODEL TYPE: 1.3mm Crimp Style Connector
CHECKED	UNIT: mm/in	PART NO.: X1300T-PV01
APPROVED	SIZE: A4	DWG NO.: