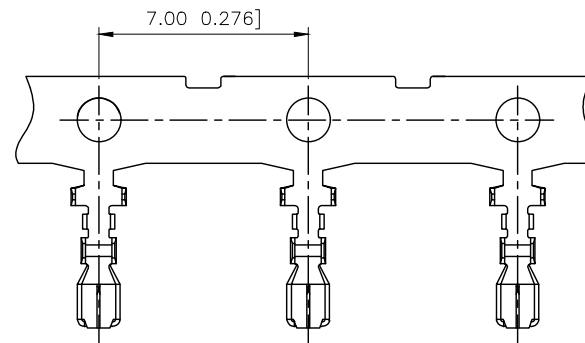
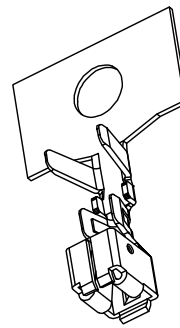
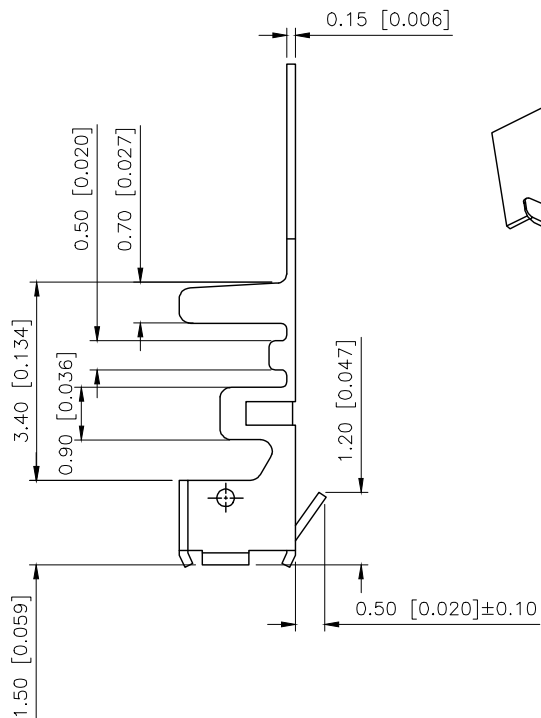
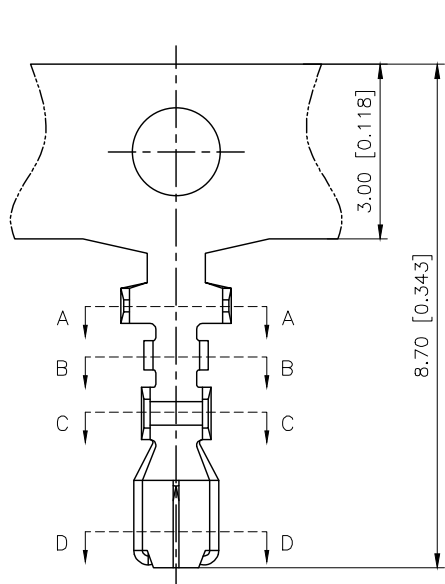


REVISIONS					
REV.	ECN NO.	LOCATION	DESCRIPTION	DATE	DESIGN
A1	N/A			2024.9.09	
A2	N/A			2025.12.01	

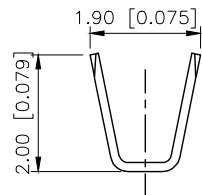


SCALE 1:2

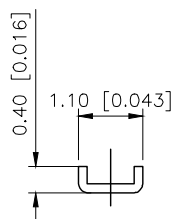
PART NO.:

X2012 I-P SN

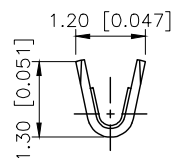
Series No
 Category:T-terminal
 Material:P-Phosphor bronze
 Plating style:SN-Bright tin plating



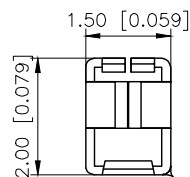
SECTION:A-A
SCALE:1:1



SECTION:B-B
SCALE:1:1



SECTION:C-C
SCALE:1:1



SECTION:D-D
SCALE:1:1

X2012T-PSN	Phosphor Bronze	AWG#24-30	1.4mm(Max)	Tin Plated	X2012H
PART NO	Matrial	Wire Range	Insulation O.D.	Finish	Suitable XKB Terminal

AuGLAR	±5°
X.	±0.40
X.x	±0.30
X.xx	±0.20
X.xxx	±0.15
UNSPECIFIED TOLERANCES	



DESIGN	VIEW:	MODEL TYPE: 2.00mm Crimp Style Connectors
CHECKED	UNIT: mm/in	PART NO.: X2012T-PSN
APPROVED	SIZE: A4	DWG NO.: