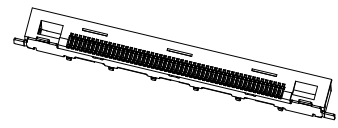
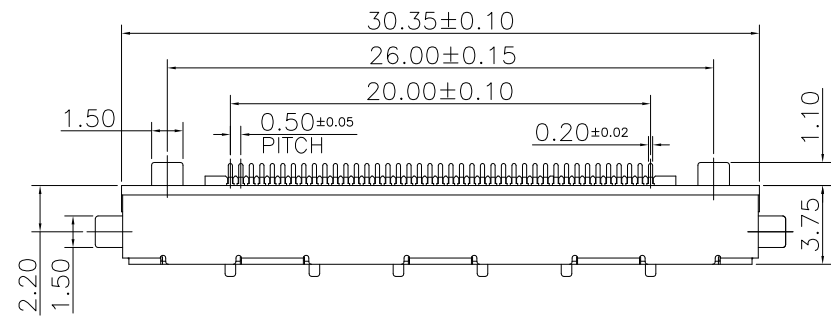
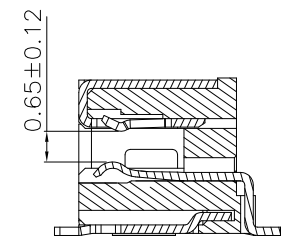
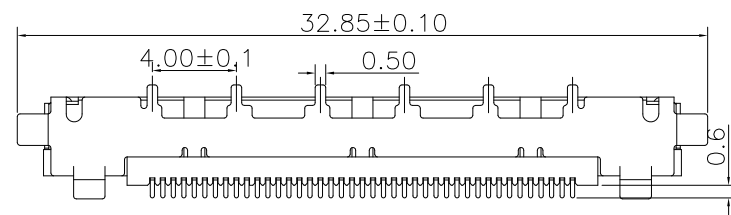
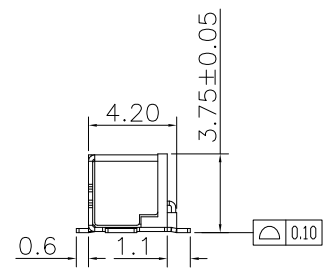
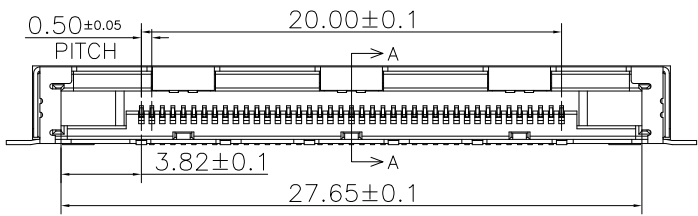


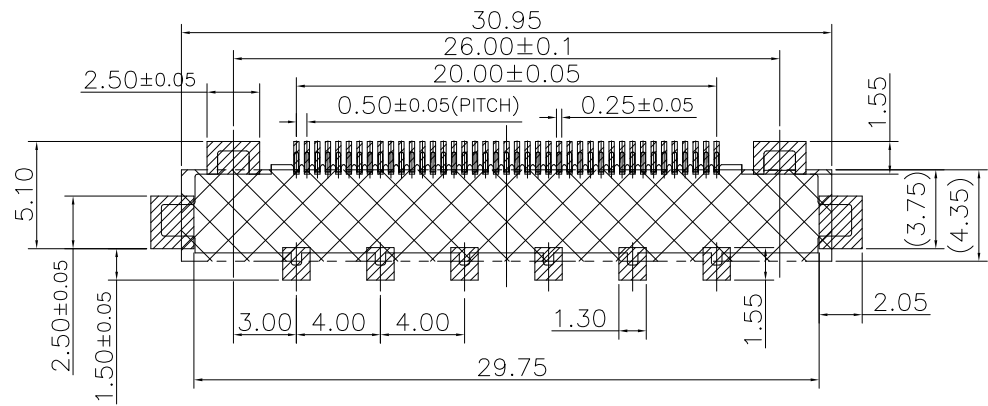
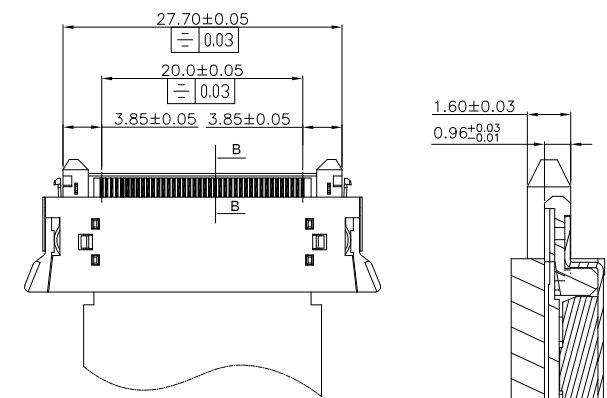
REV.	ECN NO.	LOCAS.	DESCRIPTION	DATE	DESIGN
A			NEW DRAWING		



- NOTES:
- HUOSING: LCP HIGH-TEMP THERMOPLASTIC UL94V-0 COLOR:BLACK
 - TERMINAL:PHOSPHOR BRONZE
PLATING:50u" MIN NICKEL ALL OVER 100u"MIN Tin ON SOLDER AREA
1u" GOLD FLASH ON CONTACT AREA
 - SHELL:STAINLESS STEEL
PLATING:100~150u" TIN(LEAD FREE)
OVERALL 50~100u" NICKEL UNDER PLATED.
 - SPECIFICATION:
CURRENT RATING: 0.5A 50V AC/DC
CONTACT RESISTANCE: 40mΩ MAX
INSULATION RESISTANCE: 100MΩ AT 500V DC
OPERATING TEMPERATURE RANGE: -55°C~+85°C
WITHSTANDING VOLTANG: 250V AC/minute



SECTION A-A
SCALE 2:1



RECOMMEND P.C.B LAYOUT
TOLERANCE : ±0.1

DESIGN:	Xiping Huang		 广东国连电子有限公司 GUANGDONG GUOLIAN ELECTRONICS CO.,LTD
CHECK:	Ke Tian		
APPROVED:	Youquan Xu		TITLE:
DIM	TOL	DIM	TOL
X.	±0.25	X°	±3.0°
X.X	±0.20	X.X°	
X.XX	±0.15	X.XX°	
X.XXX		X.XXX°	
			TITLE:
			0.5mmLVDS连接器H3.75 41P
			PART NO.
			05375-41R-SN-R
REV. A	SCALE: N/A	UNIT: mm	SHEET: 1/1