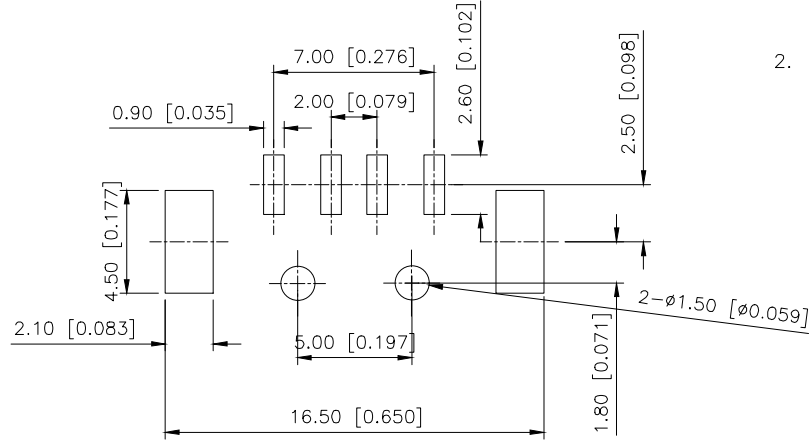
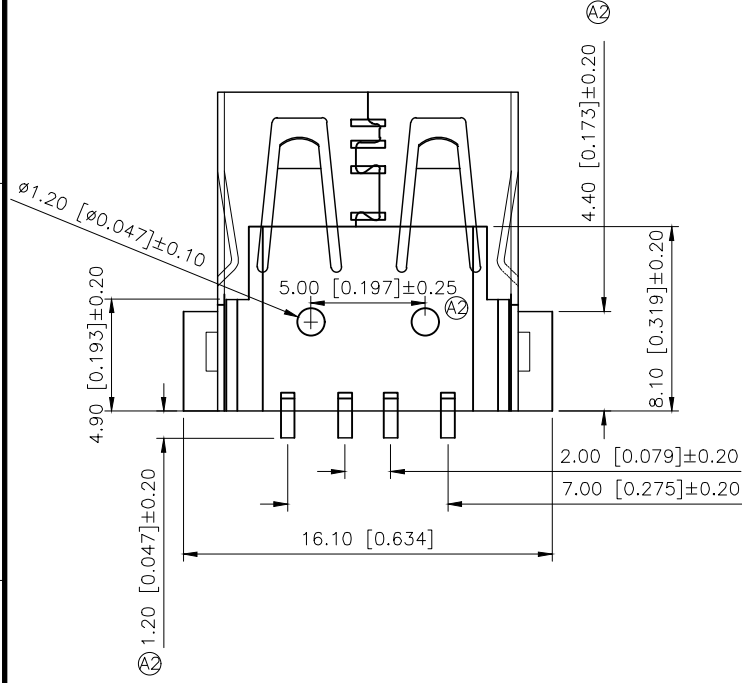
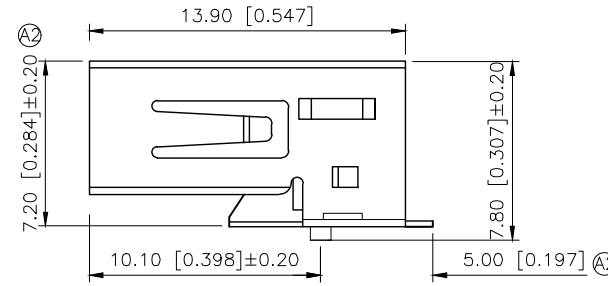
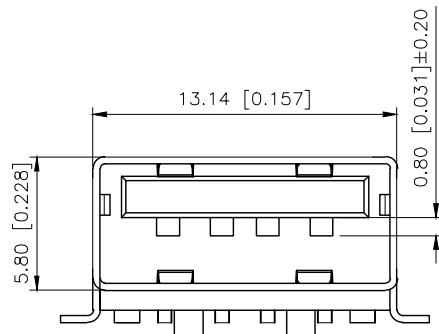
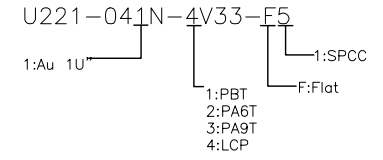


REVISIONS					
REV.	ECN NO.	LOCATION	DESCRIPTION	DATE	DESIGN
A1	N/A			2025.05.06	
A2	ECN-P-2025111202	Ⓐ2X5		2025.11.12	



- Specifications:
- Electrical:
- Contact Resistance: 30 milliohms MAX
 - Dielectric With Standing Voltage: 500 V AC AT Sea Level
 - Insulation Resistance: 1000 MEGA ohms MIN
 - Temperature range: -40 ~ +85
- Mechanical:
- Mating Force: 35 N MAX 35 N
 - Unmating Force: 8 N MIN 8 N
- Material:
- LCP.
 - Contact: C2680, T=0.25±0.02
 - Shell: C2680, T=0.3±0.02
- Finish:
- Contact: Plated Gold in Mating Area
A: Tin/Lead On Solder Talls.
1 100
 - Shell: Nickel Plating . 60
1.5A 48H 8H



AuGLAR	±5°
X.	±0.40
X.x	±0.30
X.xx	±0.20
X.xxx	±0.15
UNSPECIFIED TOLERANCES	



DESIGN	VIEW:	MODEL TYPE: USB 2.0
CHECKED	UNIT: mm/in	PART NO.: U221-041N-4V33-F5
APPROVED	SIZE: A4	DWG NO.: