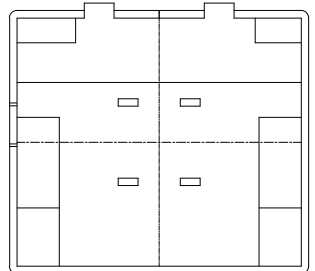
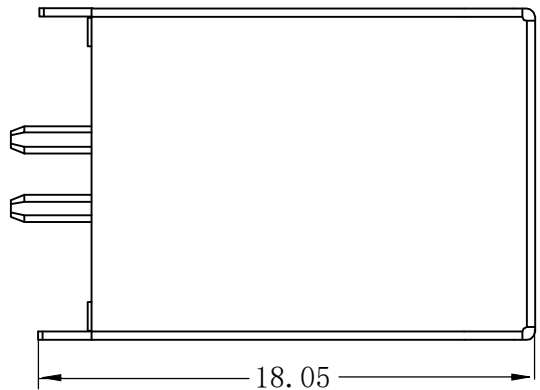
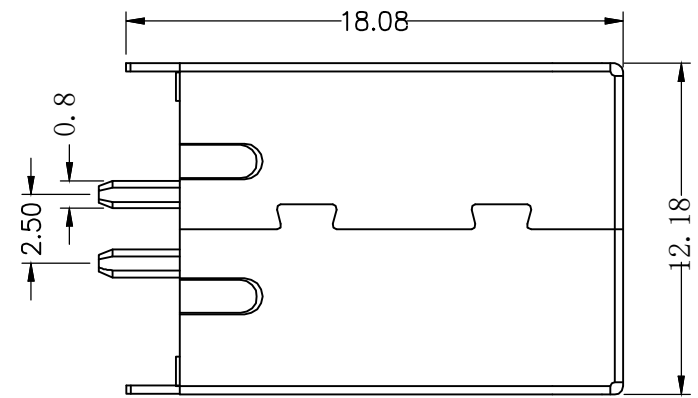
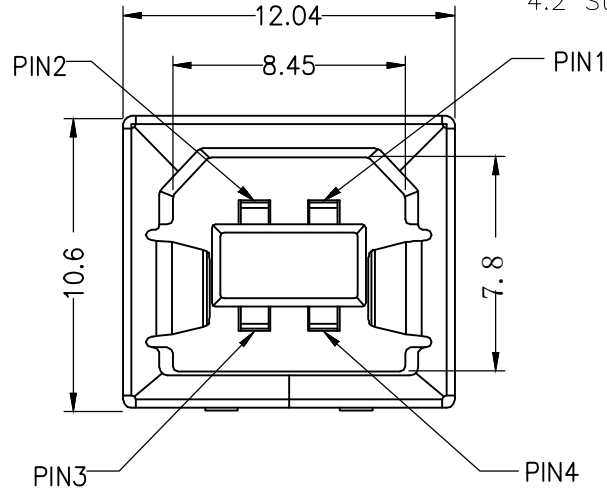
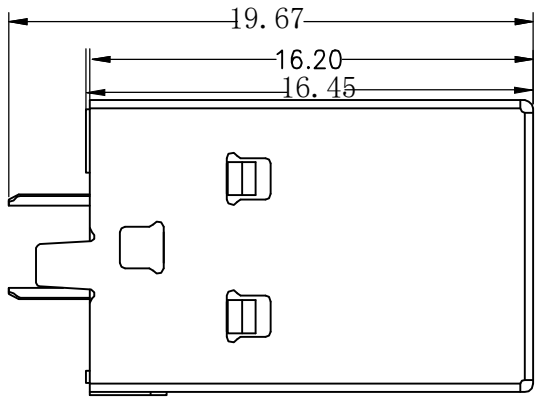


RoHS

目錄 MAPX	设变内容 MODIFICATION	日期 DATE



- NOTES:
- MATERIAL:
    - Housing:PBT ,UL94-HB
    - terminals:Copper Alloy  
Gold plated in contact area:  
Tin 40u"min plated in termination  
Nickel Plated overall
    - Shell:SPCC or Brass t=0.30mm.  
Nickel 40u"min Plated overall
  - ELECTRICAL CHARACTERISTICS:
    - Rating Current :1.5 Ampere
    - Rating Voltage :30 V Max
    - Contact Resistance:30 Milli ohms
    - Insulation Resistance:1000 Mega ohms Min.
  - MECHANICAL CHARACTERISTICS:
    - Connector Mating force: 35N MAX(3.57Kgf)
    - Connector Unmating force:10N min(1.02Kgf)
    - Durability:1500Cycles.
  - ENVIRONMENT CHARACTERISTICS:
    - Operating temperature:-0℃ to +50℃
    - Storage temperature:-20℃ to +60℃



产品图 PRODUCT CHART DWG		 深圳市精拓金电子有限公司 Shenzhen Jing Tuo Jin Electronics Co., Ltd.							
公差一览表 TOLERANCE UNLESS OTHERWISE		单位 UNITS	MM	制图 DRAWING	Erick	产品料号 PRODUCT PART NO.	921-101A1010Y10200		
X.	±0.35	X'	±5'	比例 SCALE	1:1	审核 CHKD	L S S	产品名称 PRODUCT NO.	BF 180度两脚焊线式铁壳白胶
.X	±0.30	.X*	±2'	日期 DATE	2021/03/10	核准 APPD	黄国荣	角法 VIEW	 版本 VER
.XX	±0.25	.XX*	±1'						40
.XXX	±0.10	.XXX*	±0.5'						