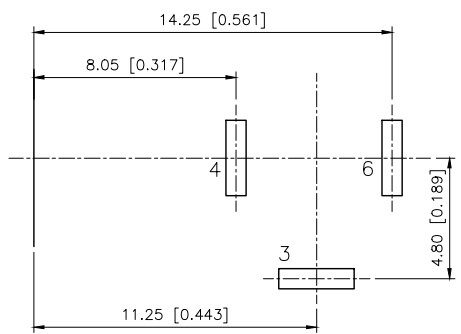
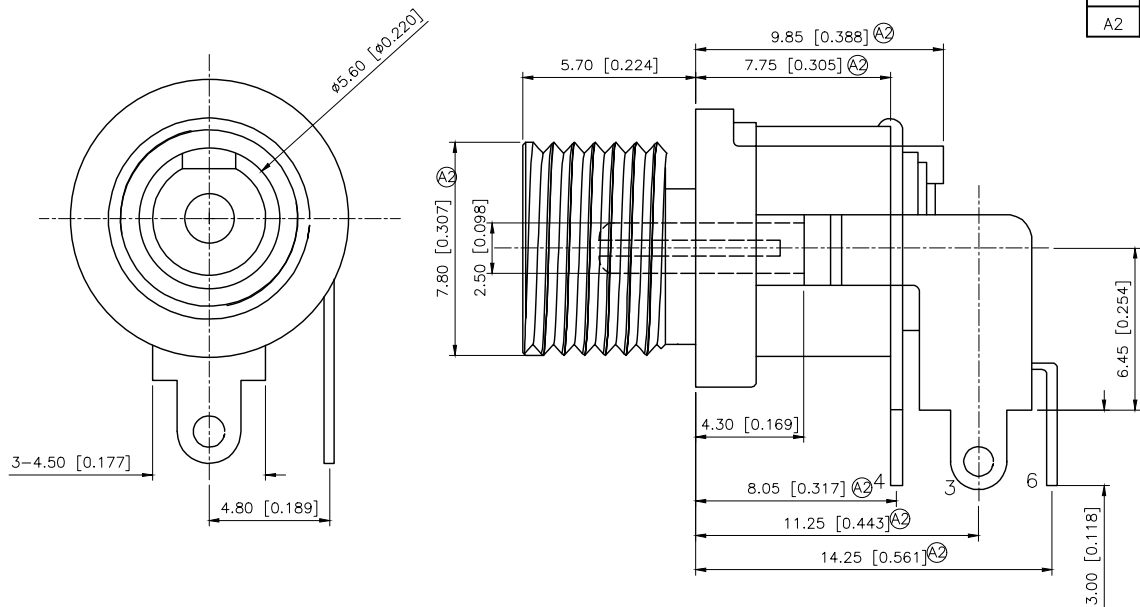
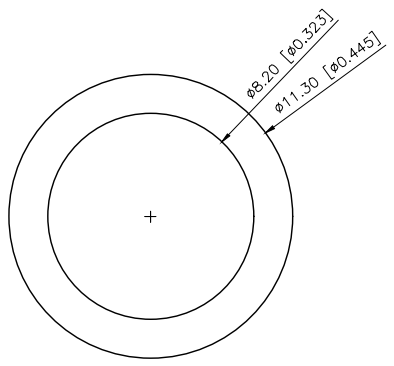
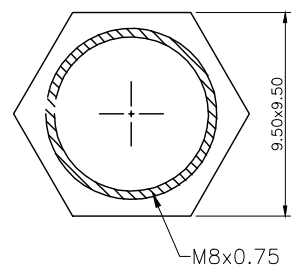
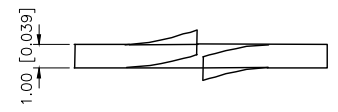
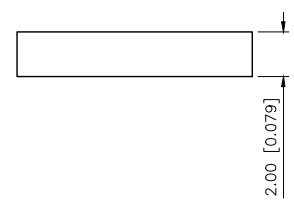


REVISIONS					
REV.	ECN NO.	LOCATION	DESCRIPTION	DATE	DESIGN
A1	N/A			2025.07.01	
A2	ECN-P-2025111501	②X6		2025.11.15	



PCB LAYOUT  
FRONT VIEW

- Specifications( )
- 1.Voltage rating( ):DC 24V
  - 2.Current rating( ):5.0A AC/DC
  - 3.Withstanding voltage( ): 500V AC/minute
  - 4.Insulation resistance( ): 100MΩ Min
  - 5.Contact resistance( ):≤30mΩ Max
  - 6.Mating cycles 5000 cycles Min
  - 7.Insertion and extraction force 3~20N
  - 8.Temperature range( ):-30 ~+70



SCHEMATIC	
Model	DC-025LM
Center Pin	Ø2.0 mm Ø2.5 mm

NO	NAME	QTY	MATERIAL	PLATING
8	PIN	1	H62 Brass	CuSn-Plating
7	Small gasket	1	Phenolic board t=0.6mm	
6	Plain	1	H62 Brass t=0.35mm	CuSn-Plating
5	Big gasket	1	Phenolic board t=0.8mm	
4	Reeds	1	Tin bronze t=0.5mm	CuSn-Plating
3	Bent piece	1	Phosphor bronze t=0.4mm	CuSn-Plating
2	Pedestal	1	PBT	Black
1	Bushing	1	H59 Brass	CuSn-Plating

AuGLAR	±5°
X.	±0.40
X.x	±0.30
X.xx	±0.20
X.xxx	±0.15
UNSPECIFIED TOLERANCES	



DESIGN		VIEW:	MODEL TYPE: DC POWER JACK
CHECKED		UNIT: mm/in	PART NO.: DC-025LM-5A-2.5
APPROVED		SIZE: A4	DWG NO.: