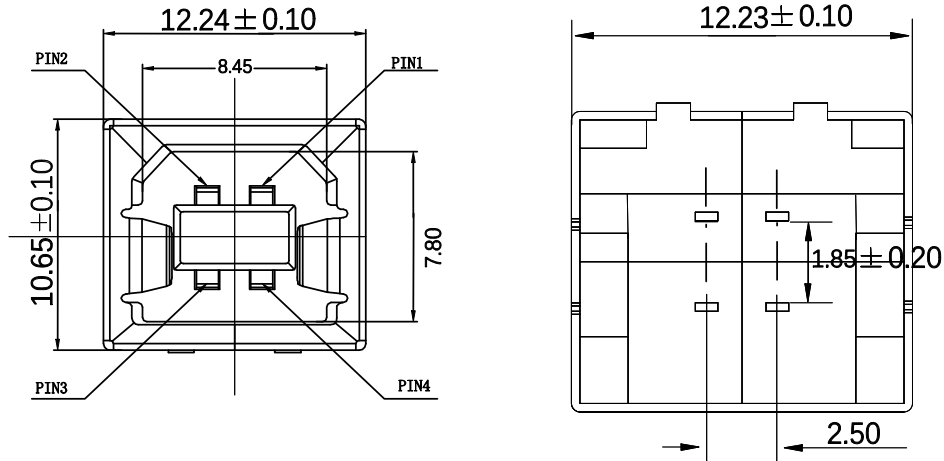


RoHS

目錄
MAPX

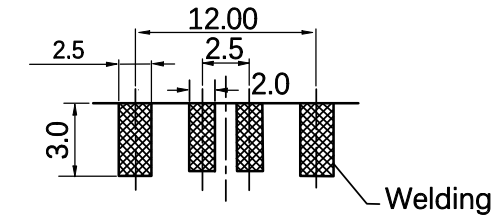
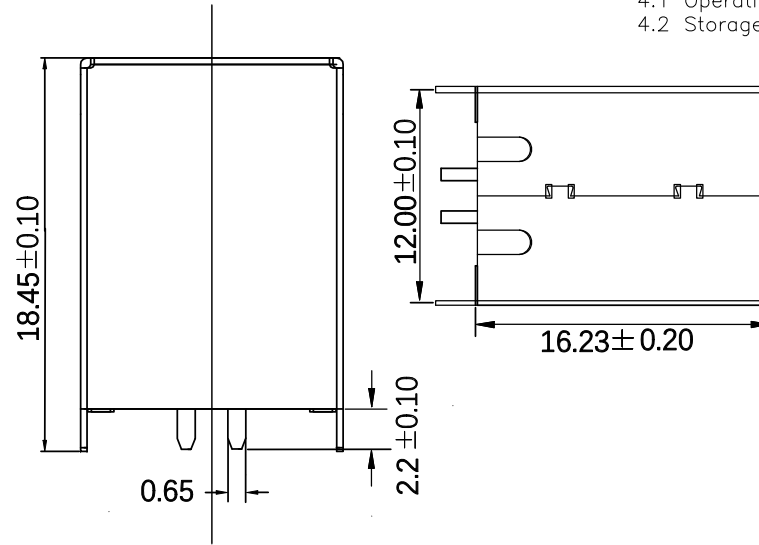
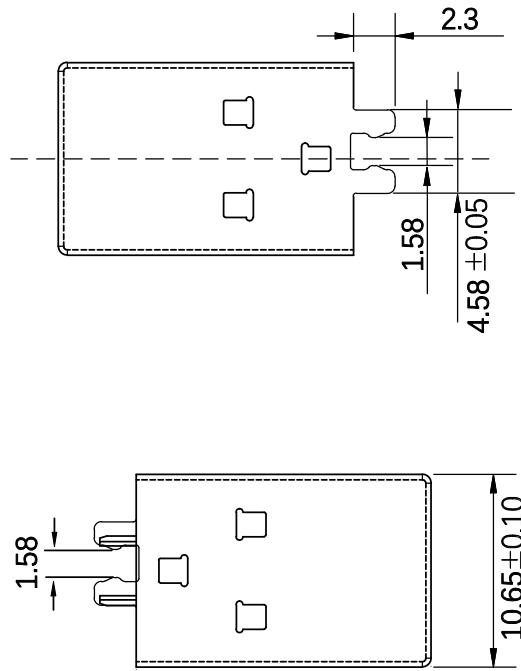
設變內容
MODIFICATION

日期
DATE



NOTES:

- 1.MATERIAL:
 - 1.1 Housing:PBT ,UL94-HB
 - 1.2 terminals:Copper Alloy
Gold plated in contact area:
Tin 40u"min plated in termination
Nickel Plated overall
 - 1.3 Shell:SPCC or Brass t=0.30mm,
Nickel 40u"min Plated overall
- 2.ELECTRICAL CHARACTERISTICS:
 - 2.1 Rating Current :1.5 Ampere
 - 2.2 Rating Voltage :30 V Max
 - 2.3 Contact Resistance:30 Milli ohms
 - 2.4 Insulation Resistance:1000 Mega ohms Min.
- 3.MECHANICAL CHARACTERISTICS:
 - 3.1 Connector Mating force: 35N MAX(3.57Kgf)
 - 3.2 Connector Unmating force:10N min(1.02Kgf)
 - 3.3 Durability:1500Cycles.
- 4.ENVIRONMENT CHARACTERISTICS:
 - 4.1 Operating temperature:-0℃ to +50℃
 - 4.2 Storage temperature:-20℃ to +60℃



Recommended PCB Layout

<p>产品图 PRODUCT CHART DWG</p>			<p>深圳市精拓金电子有限公司 Shenzhen Jing Tuo Jin Electronics Co., Ltd.</p>			
<p>公差一览表 TOLERANCE UNLESS OTHERWISE</p>			<p>单位 UNITS</p>	<p>制图 DRAWING</p>	<p>产品料号 PRODUCT PART NO.</p>	<p>921-152A2020Y10200</p>
X.	±0.35	X'.	±5'	<p>比例 SCALE</p>	<p>审核 CHKD</p>	<p>产品名称 PRODUCT NO.</p>
.X	±0.30	.X'	±2'			
.XX	±0.25	.XX'	±1'	<p>2021/03/10</p>	<p>黄国荣</p>	<p>BF 夹板1.6针长2.2外卡点铜壳PBT防火黑胶</p>
.XXX	±0.10	.XXX'	±0.5'	<p>4007-182-588</p>	<p>版本 VER</p>	<p>A0</p>