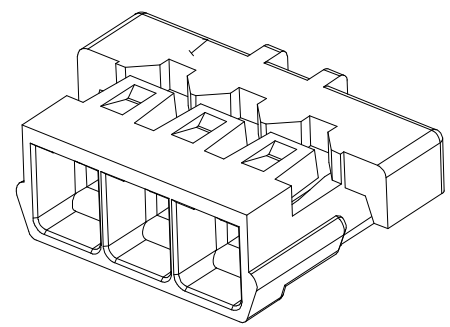
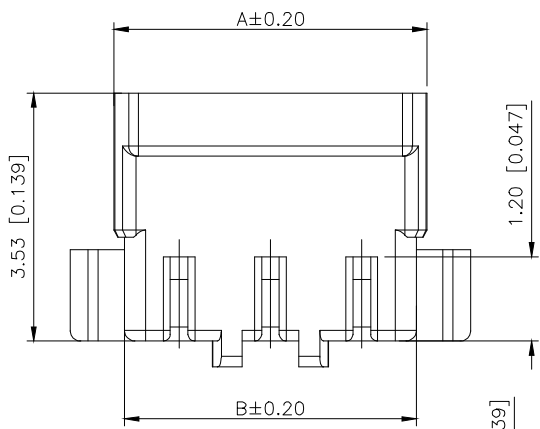


REVISIONS					
REV.	ECN NO.	LOCATION	DESCRIPTION	DATE	DESIGN
A1	N/A			2025.09.17	
A2	ECN-P-2025120304			2025.12.03	



Specifications:

Voltage rating:30V AC/DC
30V AC/DC

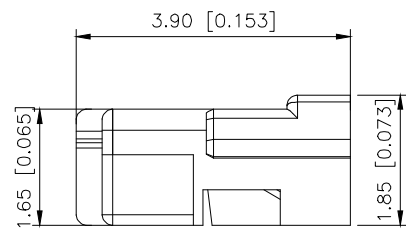
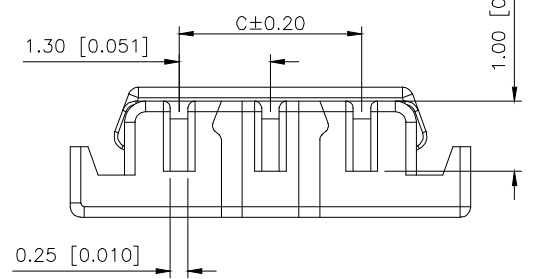
Current rating:3A AC/DC
3A AC/DC

Withstanding voltage:500V AC/minute
500V AC/

Temperature range:-40 ~+125
-40 ~+125

Insulation resistance:100MΩ min
100MΩ Min

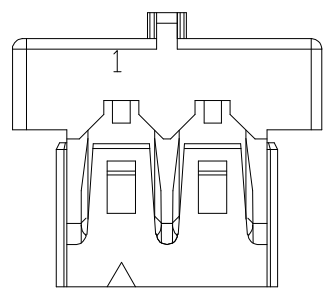
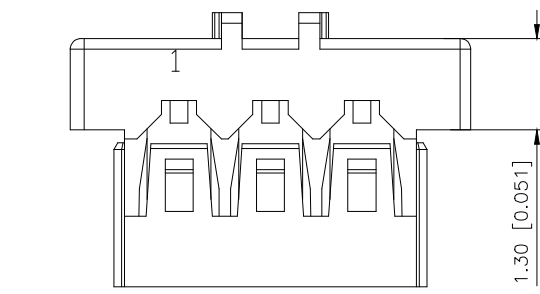
Contact resistance:20mΩ Max
20mΩ Max



PART NO.:

X1300 H-XX-N0 HF X

Series No
Category:H-HSG
Row No.Pin No:XX-02~12Pin
Material:N0-PA66 UL94V-0
Special No:HF-Halogen Free
Color:Blank-Natural ; BK-Black



3~12 Pin Shape

02 Pin Shape

Poles	Dimensions(mm)			Poles	Dimensions(mm)		
	A	B	C		A	B	C
02	3.15	2.85	1.30	08	10.95	10.65	9.10
03	4.45	4.15	2.60	09	12.25	11.95	10.40
04	5.75	5.45	3.90	10	13.55	13.25	11.70
05	7.05	6.75	5.20	11	14.85	14.55	13.00
06	8.35	8.05	6.50	12	16.15	15.85	14.30
07	9.65	9.35	7.80	/			

X1300H-XX-NOHF	PA66	X1300W	X1300T
X1300H-XX-NOHFBK			
PART NO	Material	Suitable XKB Water	Suitable XKB Terminal

AuGLAR	±5°
X.	±0.40
X.x	±0.30
X.xx	±0.20
X.xxx	±0.15
UNSPECIFIED TOLERANCES	



DESIGN	VIEW:	MODEL TYPE: 1.3mm Crimp Style Connector
CHECKED	UNIT: mm/in	PART NO.: X1300H-XX-NOHF
APPROVED	SIZE: A4	DWG NO.:

XKB INDUSTRIAL PRECISION CO.,LIMITED

SCALE	PAGE	REVISION
N/A	1/1	A2