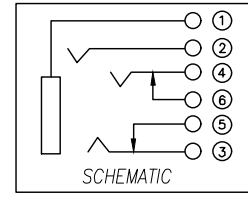
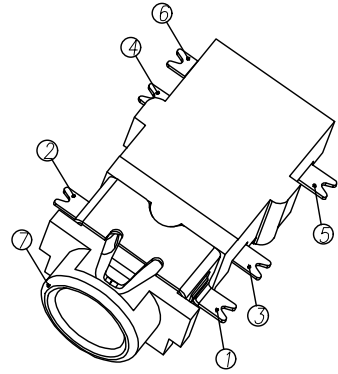
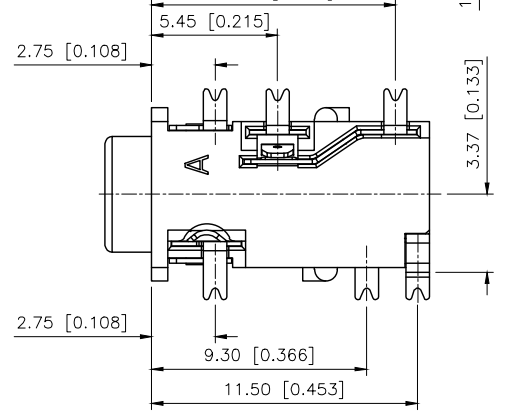
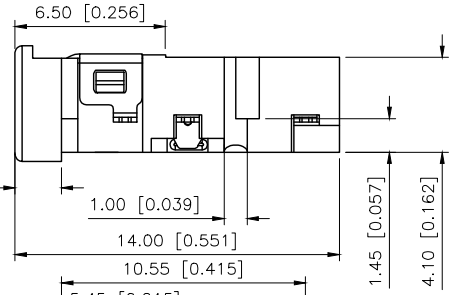
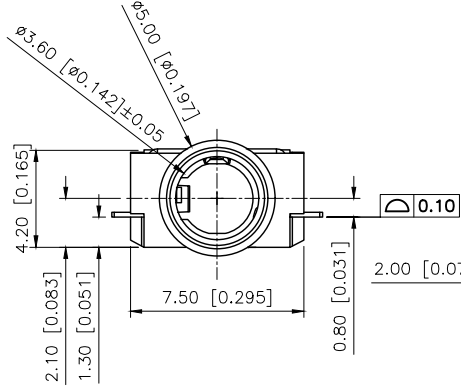
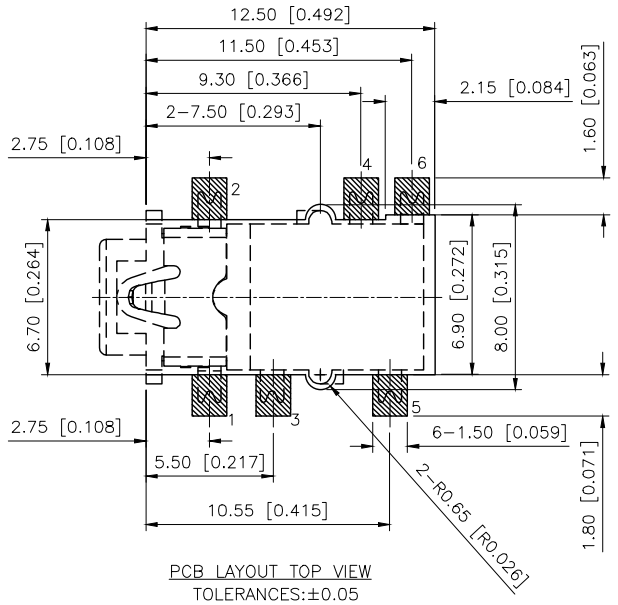
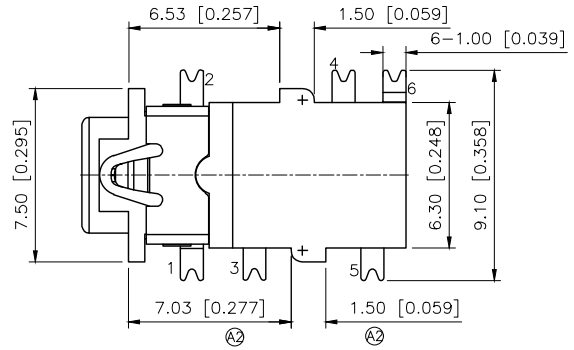
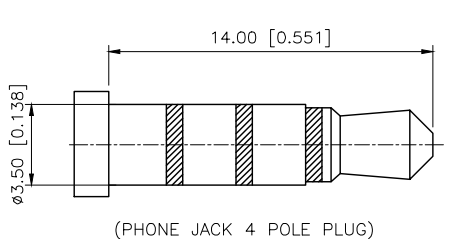


REVISIONS					
REV.	ECN NO.	LOCATION	DESCRIPTION	DATE	DESIGN
A1	N/A			2025.06.27	
A2	ECN-P-2026010401	Ⓐ2X2		2026.01.04	



- SPECIFICATIONS:
- ELECTRICAL CHARACTERISTICS:
 - 1-1. RATING: 20V, 1A
 - 1-2. CONTACT RESISTANCE: 50 MILLIOHMS Max. FOR INITIAL, 80 MILLIOHMS Max. AFTER 5000 CYCLES
 - 1-3. INSULATION RESISTANCE: 100 MEGAOHMS Min. BY 500V DC AFTER 1 MINUTE.
 - 1-4. DIELECTRIC WITHSTANDING VOLTAGE: 500V RMS AFTER 1 MINUTE.
 - MECHANICAL CHARACTERISTICS:
 - 2-1. INSERTION FORCE : 0.3~3.0 KGF(2.94~29.4N)
 - 2-2. WITHDRAWAL FORCE : 0.3~3.0 KGF(2.94~29.4N)
 - LIFE TEST: 5,000 CYCLES MIN.

ITEM	PAPT NAMF	QTY	MATERIAL	FINISHING
	Housing	1	LCP	Black
	Terminal 6	1	Copper alloy t=0.20	Au-Plated
	Terminal 5	1	Copper alloy t=0.20	Au-Plated
	Terminal 4	1	Copper alloy t=0.20	Au-Plated
	Terminal 3	1	Copper alloy t=0.20	Au-Plated
	Terminal 2	1	Copper alloy t=0.20	Au-Plated
	Terminal 1	1	Copper alloy t=0.20	Au-Plated

AuGLAR	±5°
X.	±0.40
X.x	±0.30
X.xx	±0.20
X.xxx	±0.15
UNSPECIFIED TOLERANCES	



DESIGN	VIEW:	MODEL TYPE: 3.5 PHONE JACK
CHECKED	UNIT: mm/in	PART NO.: PJ-342D
APPROVED	SIZE: A4	DWG NO.: