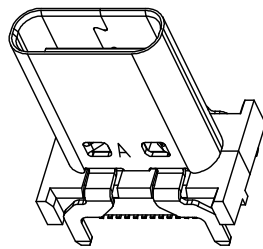
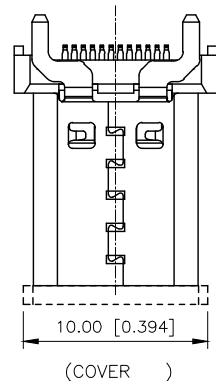
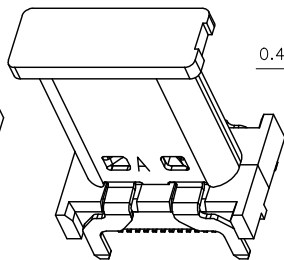


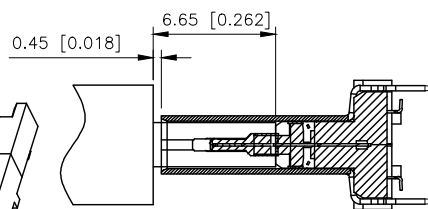
REVISIONS					
REV.	ECN NO.	LOCATION	DESCRIPTION	DATE	DESIGN
A1	N/A			2025.10.14	
A2	ECN-P-2025122902	②X2	PCB	2025.12.29	



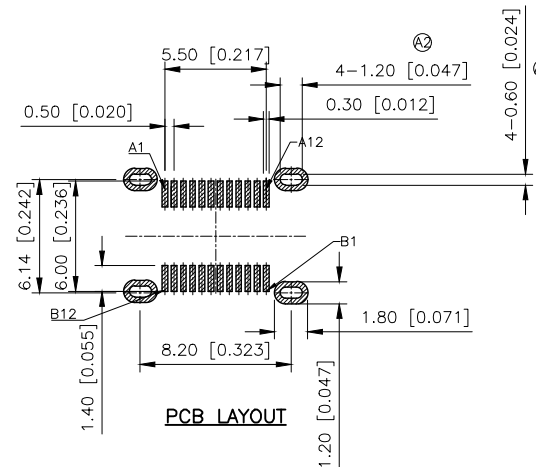
WITHOUT COVER



WITH COVER

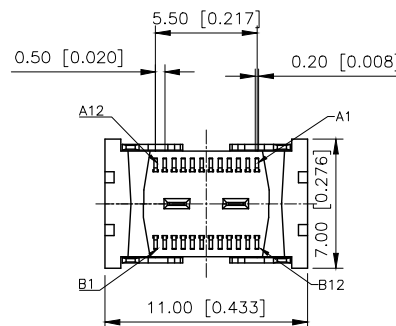
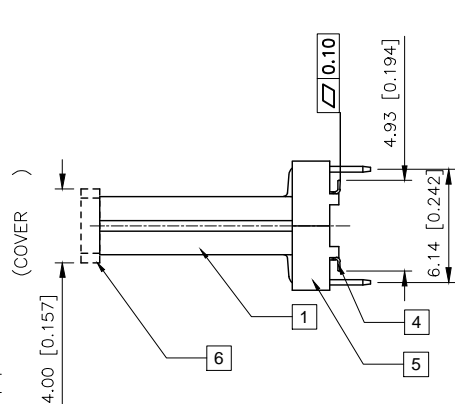
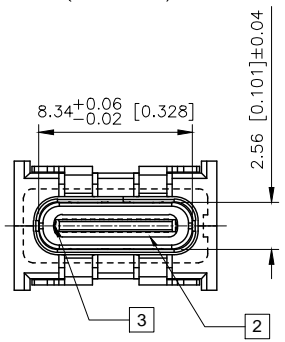


AFTER MATING



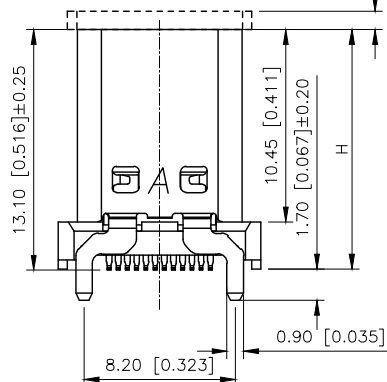
PCB LAYOUT

H	
1	13.00
2	13.50
3	15.00



U263-24XN-4BQC16-X

01:AU 1U''Min
03:AU 3U''Min
4:LCP
B:BLACK
1:13.00
2:13.50
3:15.00



- Contact Resistance:40mOHM Max.;
- Dielectric Withstanding Voltage:100V AC For 1 Minute;
- Insulation Resistance:100M OHM Min.;
- Mating And unmating Force:
Mating Force: 5~20N
Unmating Force: 8~20N;
6~20N AFTER TEST;
- Durability:10000 Cycles;

USB TYPE-C PIN ASSIGNMENTS

PIN NUMBER	SIGNAL NAME	PIN NUMBER	SIGNAL NAME
A1	GND	B12	GND
A2	TX1+	B11	RX1+
A3	TX1-	B10	RX1-
A4	VBUS	B9	VBUS
A5	CC1	B8	SBU2
A6	D+	B7	D-
A7	D-	B6	D+
A8	SBU1	B5	CC2
A9	VBUS	B4	VBUS
A10	RX2-	B3	TX2-
A11	RX2+	B2	TX2+
A12	GND	B1	GND

Item	Title	Material	Dispose	Q'TY
1	Shell	Stainless Steel	Ni:30u" Min.	1PCS
2	GND Plate	Stainless Steel		2PCS
3	Mid Plate	Stainless Steel		1PCS
4	Contact	Copper Alloy	Mating Area: See P/N Solder Tails: Matt Tin	24PCS
5	InsertMolding	High Temperature Plastic	UL 94V-0 Black	1PCS
6	COVER	High Temperature Plastic	UL 94V-0 Black	1PCS

AuGLAR	±5°
X.	±0.40
X.x	±0.30
X.xx	±0.20
X.xxx	±0.15
UNSPECIFIED TOLERANCES	



DESIGN	VIEW:	MODEL TYPE: USB TYPE C -24PIN PLUG
CHECKED	UNIT: mm/in	PART NO.: U263-24XN-4BQC16-X
APPROVED	SIZE: A4	DWG NO.: