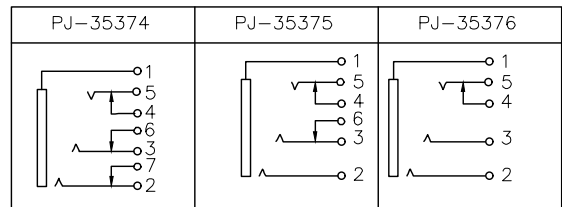
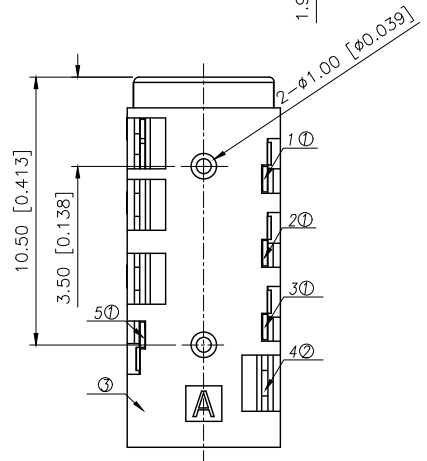
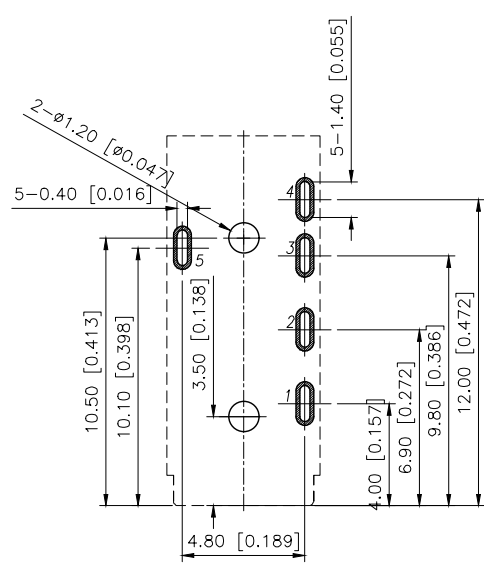
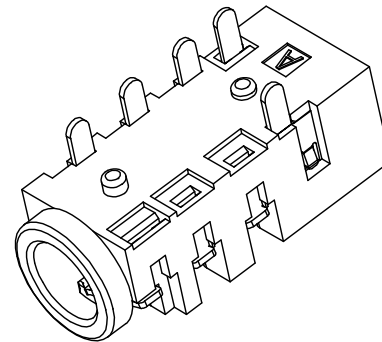
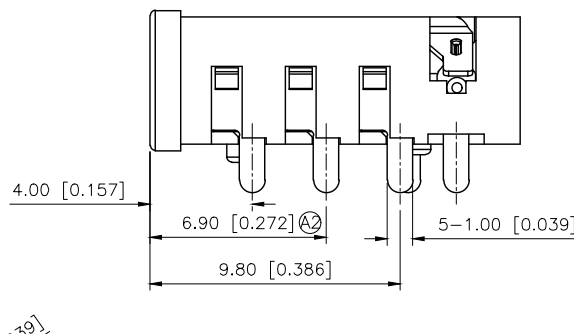
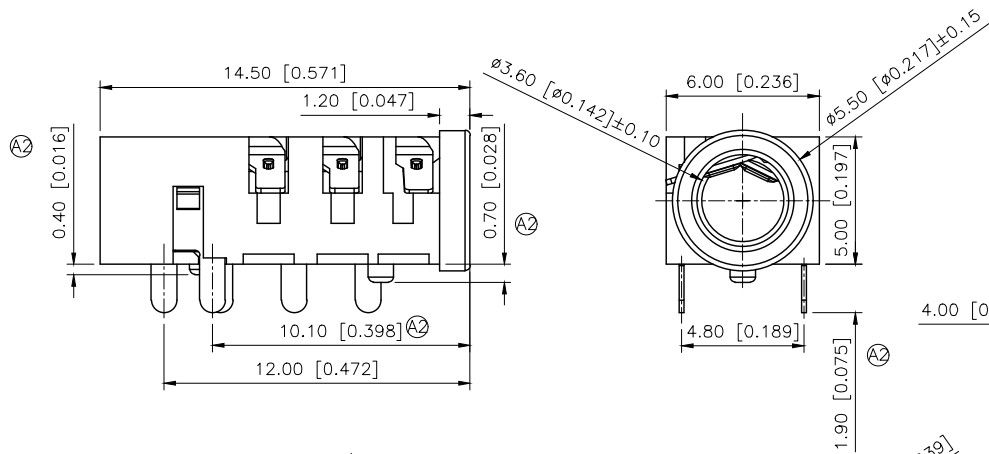


REVISIONS					
REV.	ECN NO.	LOCATION	DESCRIPTION	DATE	DESIGN
A1	N/A			2025.06.28	
A2	N/A	②X5		2025.11.25	



- SPECIFICATION**
- 1.Rating DC 20V 1A
 - 2.Contact resistance $\leq 30\Omega$
 - 3.Insulation resistance 100M Ω (DC250V)
 - 4.Withstand voltage 500VAC
 - 5.Insertion and extraction force 3-20N;
 - 6.life test 5,000 cycles

Plastic	PA9T	Black
Terminal 8	Phosphor Bronze	Gold
Terminal 7	Phosphor Bronze	Gold
Terminal 6	Phosphor Bronze	Gold
Terminal 5	Phosphor Bronze	Gold
Terminal 4	Phosphor Bronze	Gold
Terminal 3	Phosphor Bronze	Gold
Terminal 2	Phosphor Bronze	Gold
Terminal 1	Phosphor Bronze	Gold
PAPT NAMF	MATERIAL	PLATING

T:1.6 DIMENSIONS OF DC BOARD HOLES
TOLERANCES:±0.10(PRINTED-TOP VIEW)

AuGLAR	±5°
X.	±0.40
X.x	±0.30
X.xx	±0.20
X.xxx	±0.15
UNSPECIFIED TOLERAUCES	



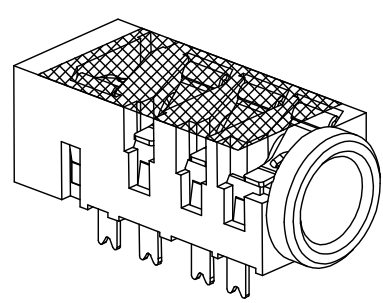
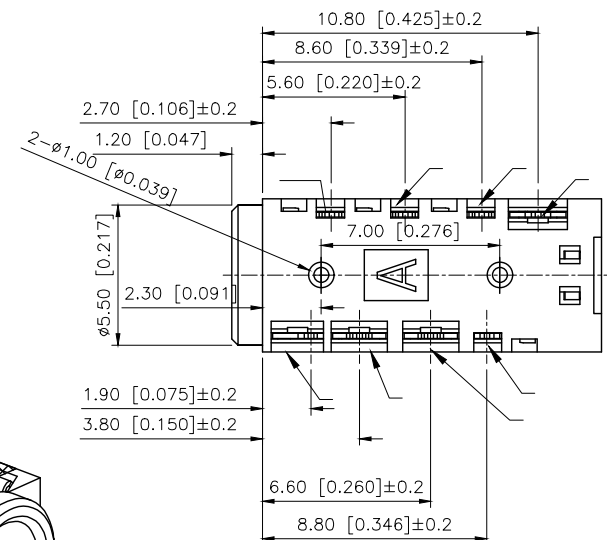
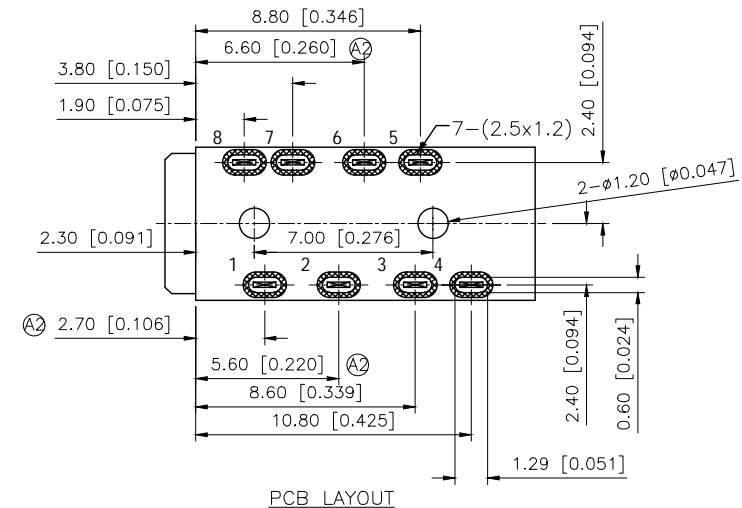
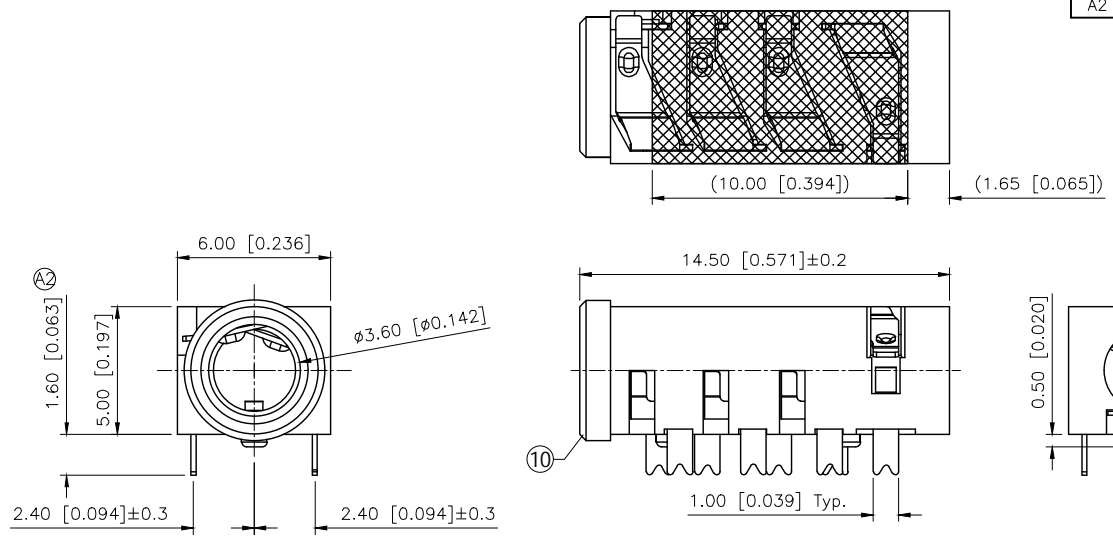
DESIGN	
CHECKED	
APPROVED	

VIEW:	MODEL TYPE: 3.5 PHONE JACK
UNIT: mm/in	PART NO.: PJ-3537X
SIZE: A4	DWG NO.:

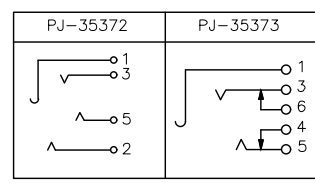
XKB INDUSTRIAL PRECISION CO.,LIMITED

SCALE	PAGE	REVISION
N/A	1/2	A2

REVISIONS					
REV.	ECN NO.	LOCATION	DESCRIPTION	DATE	DESIGN
A1	N/A			2025.06.28	
A2	N/A	A2X5		2025.11.25	

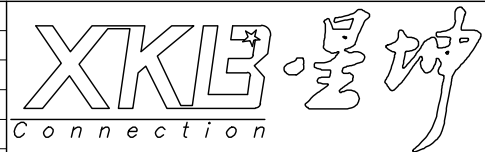


SPECIFICATION
 1. Rating DC 20V 1A
 2. Contact resistance ≤30Ω
 3. Insulation resistance 100MΩ (DC250V)
 4. Withstand voltage 500VAC
 5. Insertion and extraction force 3-20N;
 6. life test 5,000 cycles



NO.	DESCRIPTION	QTY	MATERIAL	PLATING
11	MYLAR	1		YELLOW
10	HOUSING	1	PA9T	
9	SPRING PLATE	1	SUS301	
8	8# CONTACT FOOT	1	PHOSPHOR BRONZE	Ag-Plating
7	7# CONTACT FOOT	1	PHOSPHOR BRONZE	Ag-Plating
6	6# CONTACT FOOT	1	PHOSPHOR BRONZE	Ag-Plating
5	5# CONTACT FOOT	1	PHOSPHOR BRONZE	Ag-Plating
4	4# CONTACT FOOT	1	PHOSPHOR BRONZE	Ag-Plating
3	3# CONTACT FOOT	1	PHOSPHOR BRONZE	Ag-Plating
2	2# CONTACT FOOT	1	PHOSPHOR BRONZE	Ag-Plating
1	1# CONTACT FOOT	1	PHOSPHOR BRONZE	Ag-Plating

AuGLAR	±5°
X.	±0.40
X.x	±0.30
X.xx	±0.20
X.xxx	±0.15
UNSPECIFIED TOLERANCES	



DESIGN	
CHECKED	
APPROVED	

VIEW:	MODEL TYPE: 3.5 PHONE JACK
UNIT: mm/in	PART NO.: PJ-3537X
SIZE: A4	DWG NO.: