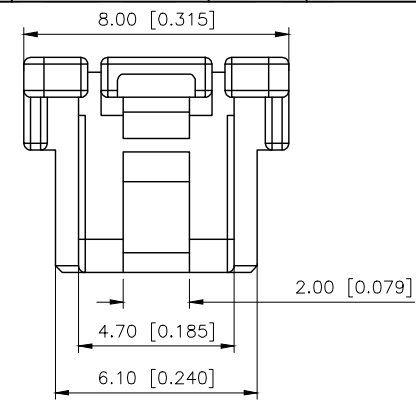
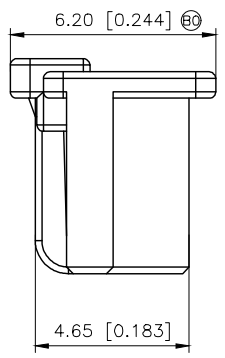
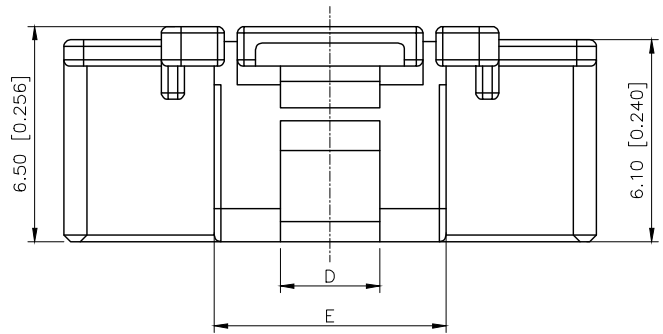


REVISIONS					
REV.	ECN NO.	LOCATION	DESCRIPTION	DATE	DESIGN
A2	N/A			2025.08.04	
B0	ECN-P-2025102801	⑩X2		2025.10.28	



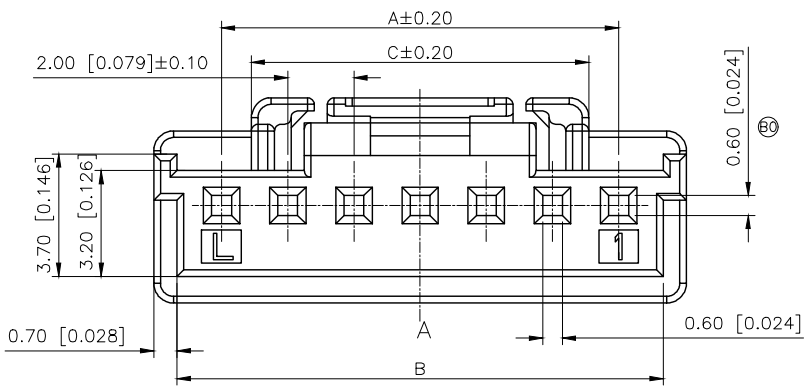
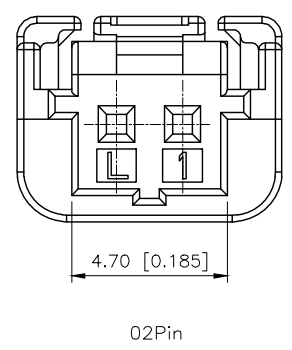
Specifications:

Voltage rating:125V AC/DC  
125V AC/DC  
Current rating:3A AC/DC  
3A AC/DC  
Withstanding voltage:500V AC/minute  
500V AC/  
Temperature range:-40 -+125  
-40 -+125  
Insulation resistance:1000MΩ min  
1000MΩ Min  
Contact resistance:10mΩ Max  
10mΩ Max

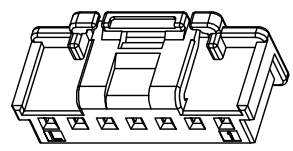
PART NO.:

X2009 H M-XX A-PT

Series Number  
Category:T-terminal  
Category:M-Male Housing  
Row No.Pin No:XX-02~15P  
A:Short style  
Material:PT-PBT UL94V-0 Natural



03~15Pin



Poles	Dimensions(mm)					Poles	Dimensions(mm)				
	A	B	C	D	E		A	B	C	D	E
02	2.00	4.70	8.00	2.00	4.70	09	16.00	18.70	10.20	3.00	7.00
03	4.00	6.70	8.10	2.20	4.90	10	18.00	20.70			
04	6.00	8.70	10.10	3.00	7.00	11	20.00	22.70			
05	8.00	10.70	10.20			12	22.00	24.70			
06	10.00	12.70		13	24.00	26.70					
07	12.00	14.70	14	26.00	28.70						
08	14.00	16.70	15	28.00	30.70						

X2009HM-XXA-PT	PBT	X2009W	X2009TF-A
PART NO	Material	Suitable XKB Wafer	Suitable XKB Terminal

AuGLAR	±5°
X.	±0.40
X.x	±0.30
X.xx	±0.20
X.xxx	±0.15
UNSPECIFIED TOLERANCES	



DESIGN	
CHECKED	
APPROVED	

VIEW:

UNIT: mm/in

SIZE: A4

MODEL TYPE:  
2.00mm Crimp Style Connectors

PART NO.:  
X2009HM-XXA-PT

DWG NO.: