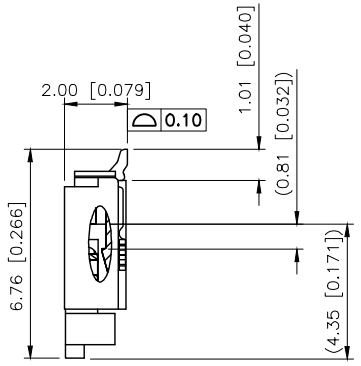
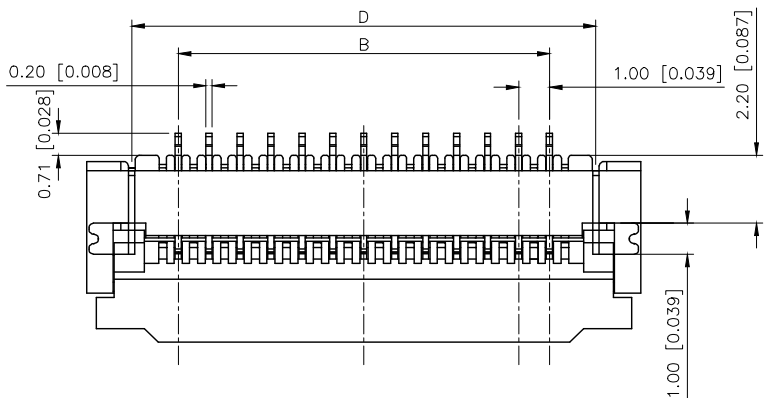
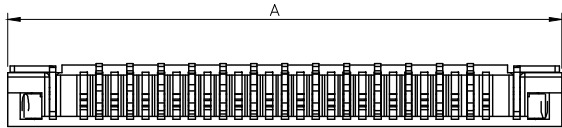


REVISIONS					
REV.	ECN NO.	LOCATION	DESCRIPTION	DATE	DESIGN
A1	N/A			2025.05.19	
A2	N/A		pin	2025.11.24	



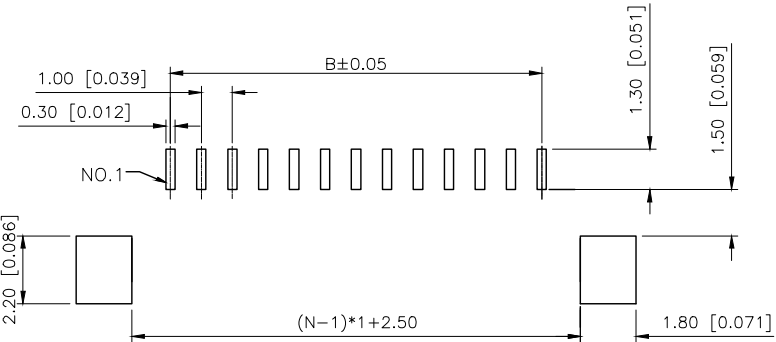
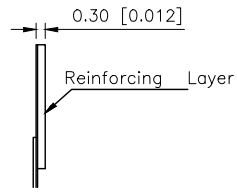
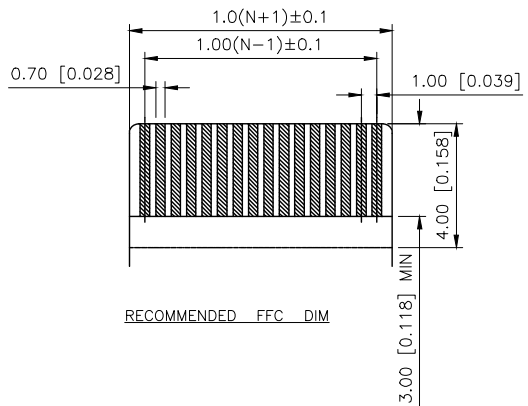
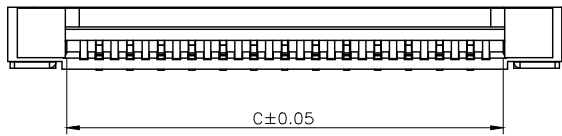
1.FPC NOT MATING CONDITION BANNED CLOSURE
2.PART NO. LEGEND

PART NO.:

X10A20 L XX X

Series Name:X10A20=1.00mm Pitch(H:2.00mm)
 Assembly style : L:Low Contact SMT Type
 U:Upper Contact SMT Type
 D:Double-Face Contact SMT Type
 H:Back-flip Double-Face Contact SMT Type
 Number of terminals :XX=04-35PIN
 Plating : G:Gold Flash Over Nickel
 T:Tin Over Nickel

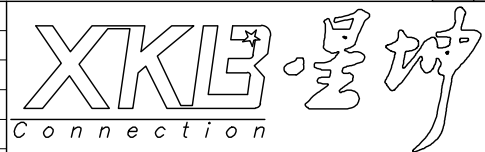
PIN	DIMENSIONS			
	A	B	C	D
04	8.90	3.00	5.10	6.00
05	9.90	4.00	6.10	7.00
06	10.90	5.00	7.10	8.00
07	11.90	6.00	8.10	9.00
08	12.90	7.00	9.10	10.00
09	13.90	8.00	10.10	11.00
10	14.90	9.00	11.10	12.00
11	15.90	10.00	12.10	13.00
12	16.90	11.00	13.10	14.00
13	17.90	12.00	14.10	15.00
14	18.90	13.00	15.10	16.00
15	19.90	14.00	16.10	17.00
16	20.90	15.00	17.10	18.00
17	21.90	16.00	18.10	19.00
18	22.90	17.00	19.10	20.00
19	23.90	18.00	20.10	21.00
20	24.90	19.00	21.10	22.00
21	25.90	20.00	22.10	23.00
22	26.90	21.00	23.10	24.00
23	27.90	22.00	24.10	25.00
24	28.90	23.00	25.10	26.00
25	29.90	24.00	26.10	27.00
26	30.90	25.00	27.10	28.00
27	31.90	26.00	28.10	29.00
28	32.90	27.00	29.10	30.00
29	33.90	28.00	30.10	31.00
30	34.90	29.00	31.10	32.00
31	35.90	30.00	32.10	33.00
32	36.90	31.00	33.10	34.00
33	37.90	32.00	34.10	35.00
34	38.90	33.00	35.10	36.00
35	39.90	34.00	36.10	37.00



PCB Layout

NO	COMPONENTS	MATERIALS	FINISH/COLOR	SPECIFICATION	QUANTITY
4	STATOR	BRASS			2
3	TERMINAL	PHOSPHOR BRONZE			POSITIONS
2	COVER	LCP UL94V-0	BLACK		1
1	HOUSING	LCP UL94V-0	NATURAL		1

AuGLAR	±5°
X.	±0.40
X.x	±0.30
X.xx	±0.20
X.xxx	±0.15
UNSPECIFIED TOLERANCES	

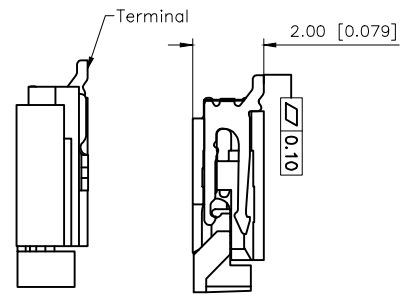
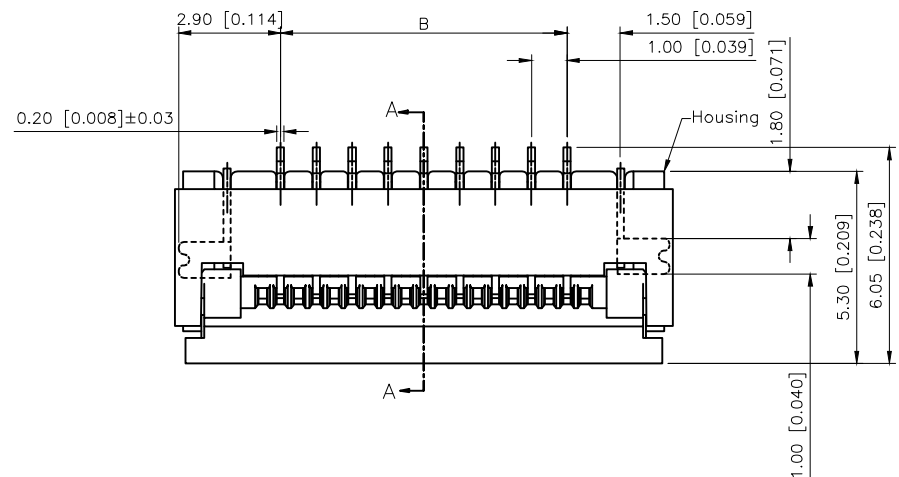
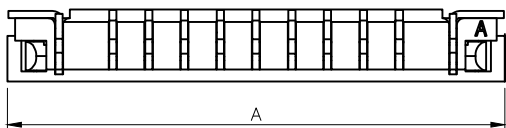


DESIGN	VIEW:	MODEL TYPE: FPC CONNECTOR
CHECKED	UNIT: mm/in	PART NO.: X10A20LXXX
APPROVED	SIZE: A4	DWG NO.:

XKB INDUSTRIAL PRECISION CO.,LIMITED

SCALE	PAGE	REVISION
N/A	1/2	A2

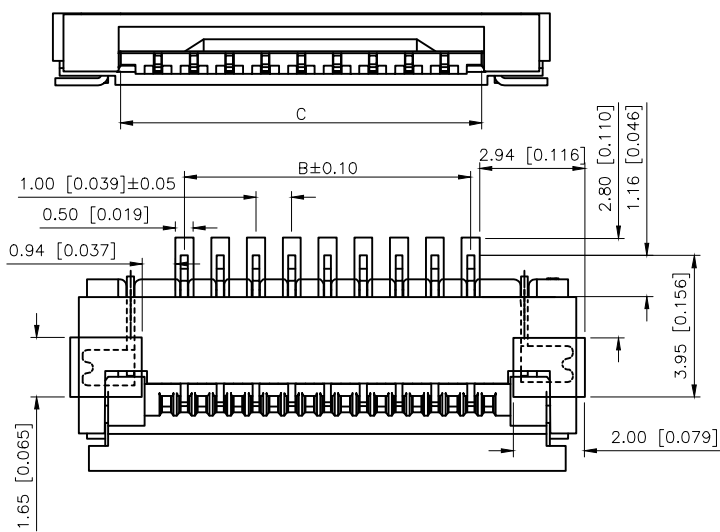
REVISIONS					
REV.	ECN NO.	LOCATION	DESCRIPTION	DATE	DESIGN
A1	N/A			2025.05.19	
A2	N/A		pin	2025.11.24	



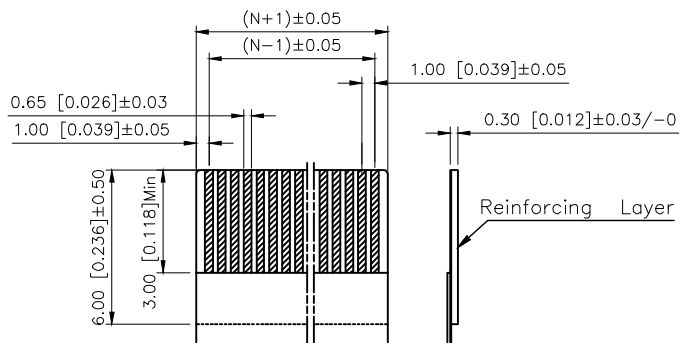
SECTION:A-A
SCALE:1:1

PART NO.:
X10A20 L XX G

Series Name:X10A20=1.00mm Pitch(H:2.00mm)
 Assembly style : L:Low Contact SMT Type
 U:Upper Contact SMT Type
 D:Double-Face Contact SMT Type
 H:Back-flip Double-Face Contact SMT Type
 Number of terminals :XX=28,30PIN
 Plating : G:Gold Flash Over Nickel



PCB Layout



RECOMMENDED FFC DIM

PIN	DIMENSIONS		
	A	B	C
28	32.90	27.00	29.10
30	34.90	29.00	31.10

AuGLAR	±5°
X.	±0.40
X.x	±0.30
X.xx	±0.20
X.xxx	±0.15
UNSPECIFIED TOLERANCES	



DESIGN	VIEW:	MODEL TYPE: FPC CONNECTOR
CHECKED	UNIT: mm/in	PART NO.: X10A20LXXX
APPROVED	SIZE: A4	DWG NO.:

XKB INDUSTRIAL PRECISION CO.,LIMITED

SCALE	PAGE	REVISION
N/A	2/2	A2