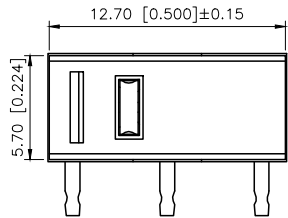
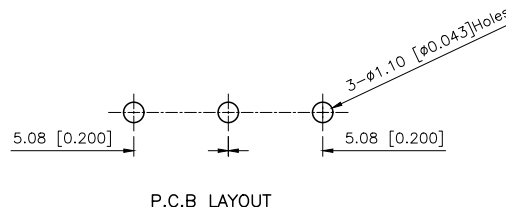
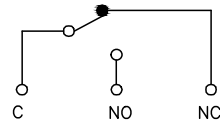
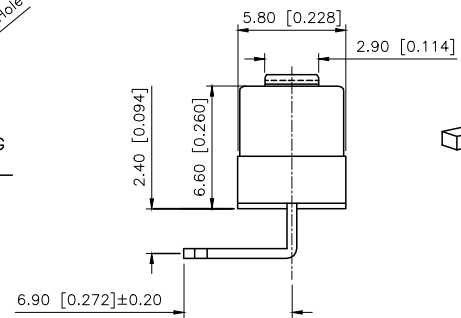
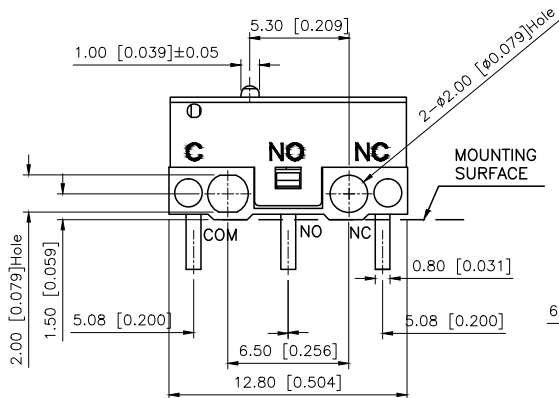
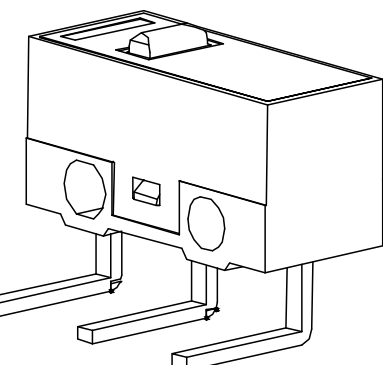


REVISIONS					
REV.	ECN NO.	LOCATION	DESCRIPTION	DATE	DESIGN
A1	N/A		图面升级整理图面	2025.06.23	阿树
A2	N/A		产品logo取消	2025.12.22	阿树



Circuit diagram




DMX-XXXD-X

1:1A以下  
3:3A

1:转换型 SPDT	2:常闭型 SPST-NC	3:常开型 SPST-NO

AuGLAR	±5°
X.	±0.40
X.x	±0.30
X.xx	±0.20
X.xxx	±0.15
UNSPECIFIED TOLERANCES	



DESIGN	阿树	VIEW:	
CHECKED		UNIT:	mm/in
APPROVED		SIZE:	A4

MODEL TYPE:	MICRO SWITCH
PART NO.:	DMX-XXXD-X
DWG NO.:	