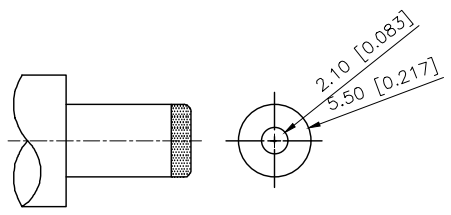
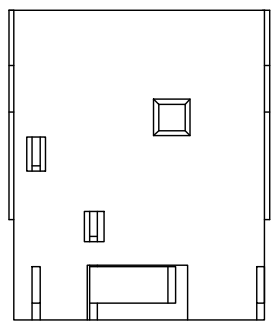
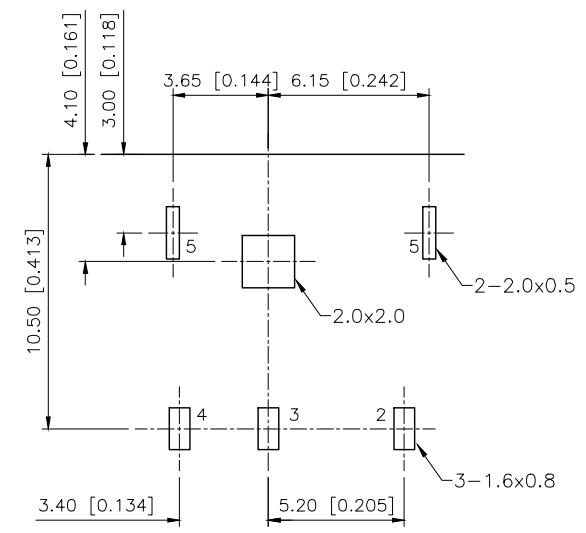
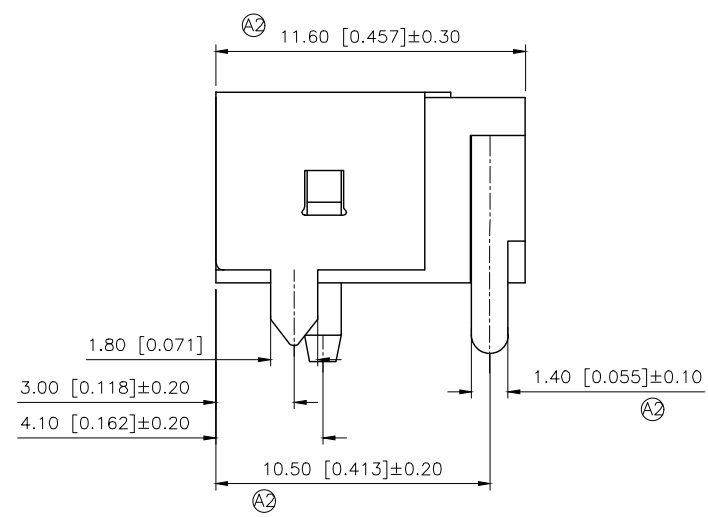
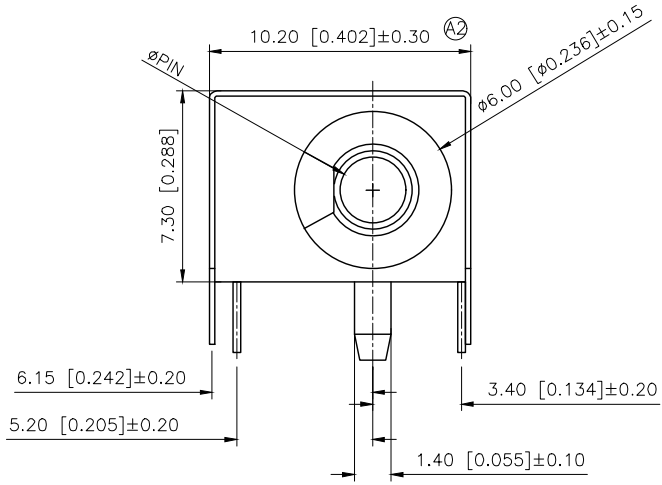
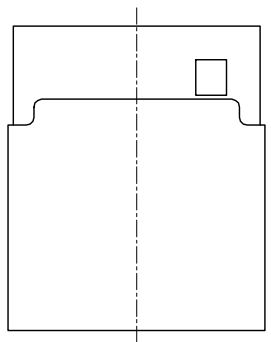


REVISIONS					
REV.	ECN NO.	LOCATION	DESCRIPTION	DATE	DESIGN
A1	N/A			2025.07.01	
A2	ECN-P-2025120903	A2 X4		2025.12.09	

- Specifications()
- 1.Voltage rating():DC 30V
 - 2.Current rating():3.0A AC/DC
 - 3.Withstanding voltage(): 500V AC/minute
 - 4.Insulation resistance(): 100MΩ Min
 - 5.Contact resistance():≤30mΩ Max
 - 6.Mating cycles 5000 cycles Min
 - 7.Insertion and extraction force 3~20N
 - 8.Temperature range():-30 ~+70



MATING PLUG
Jack Insertion Depth: 8.2 mm

SCHEMATIC		5
		4
Model		3
		2
Center Pin		∅2.0 mm
		∅2.5 mm

NO	PAPT NAME	QTY	MATERIAL	PLATING
6	Center pin	1	Brass	Silver
5	Cover	1	Brass T=0.20	Silver
4	Plain	1	Brass T=0.30	Silver
3	Tab	1	Brass T=0.30	Silver
2	Shrapnel	1	Phosphor Bronze T=0.30	Silver
1	Plastic	1	PPA	Black

AuGLAR	±5°
X.	±0.40
X.x	±0.30
X.xx	±0.20
X.xxx	±0.15
UNSPECIFIED TOLERANCES	



DESIGN		VIEW:	MODEL TYPE: DC POWER JACK
CHECKED		UNIT: mm/in	PART NO.: DC-044A-2.5A-2.0
APPROVED		SIZE: A4	DWG NO.: