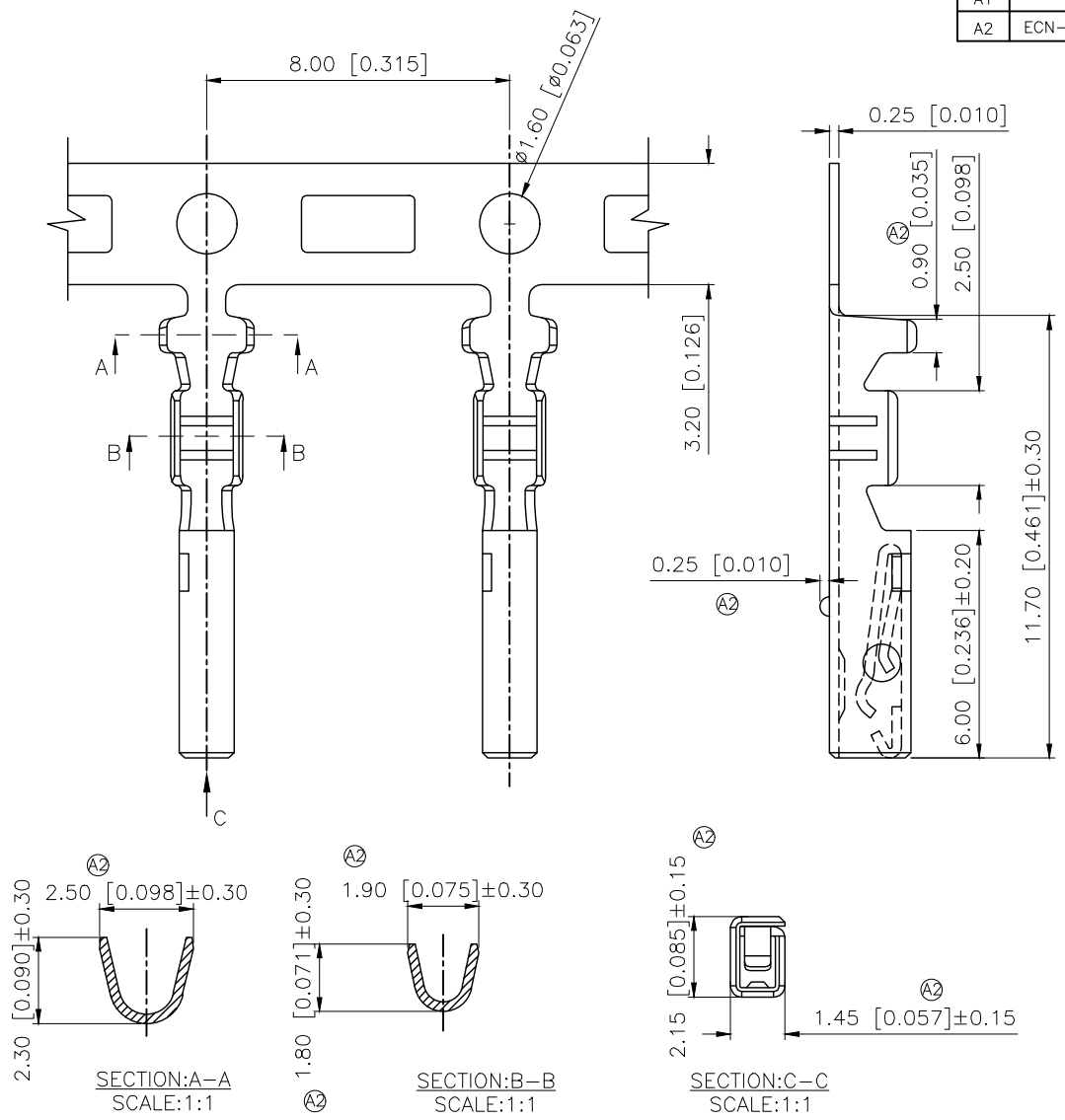


REVISIONS					
REV.	ECN NO.	LOCATION	DESCRIPTION	DATE	DESIGN
A1	N/A			2025.01.03	
A2	ECN-P-2025112502	A2X7		2025.11.25	



Specifications:

Voltage rating:100V AC/DC
100V AC/DC
Current rating:3A AC/DC
3A AC/DC
Withstanding voltage:1000V AC/minute
1000V AC/
Temperature range:-40 -+85
-40 -+85
Insulation resistance:1000MΩ min
1000MΩ Min
Contact resistance:20mΩ Max
20mΩ Max

PART NO.:
K 205001 I F-P SN

K:XKBTEK-Car Connector
XKB Series No
Category:T-Terminal
Categoiy:F-Female Terminal
Material:P-Phosphor Bronze
Plating:SN-Plated Tin

K205001TF-PSN	Phosphor Bronze	AWG#22-26	K205001HM
PART NO	Material	Wire Range	Suitable XKB Housing

AuGLAR	±5°
X.	±0.40
X.x	±0.30
X.xx	±0.20
X.xxx	±0.15
UNSPECIFIED TOLERANCES	



DESIGN	VIEW:	MODEL TYPE: 2.0mm automotive connector
CHECKED	UNIT: mm/in	PART NO.: K205001TF-PSN
APPROVED	SIZE: A4	DWG NO.: