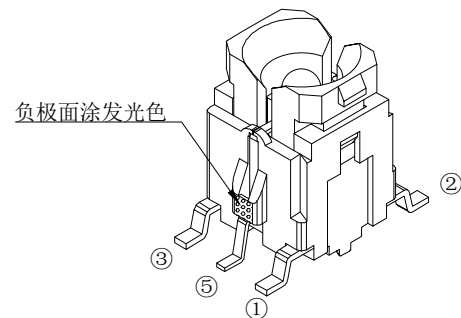
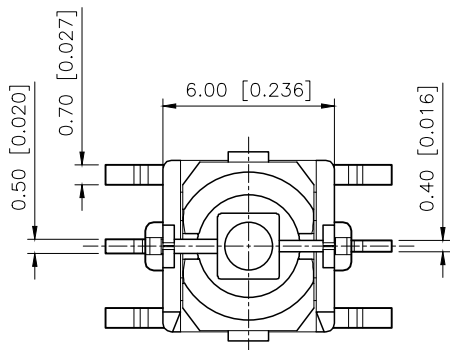
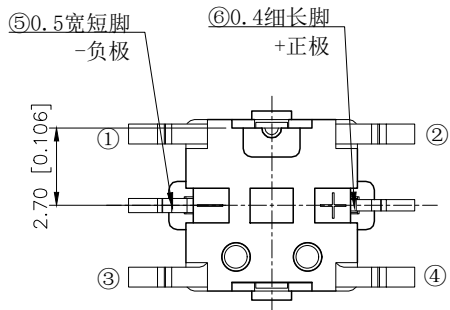
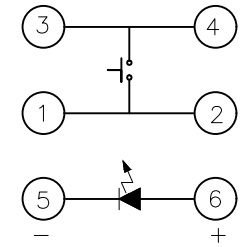
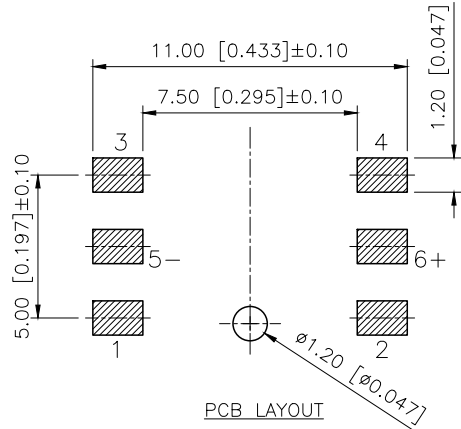
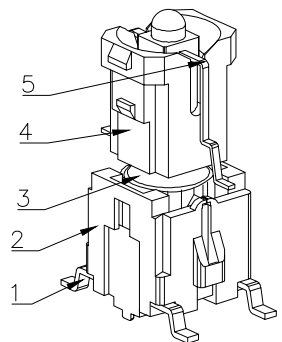
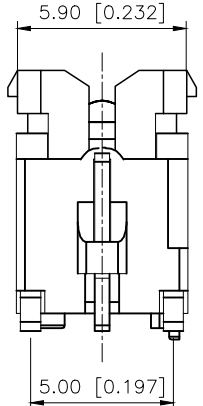
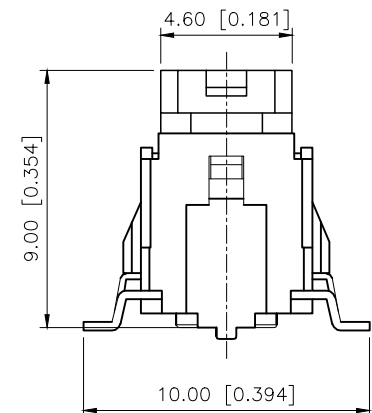


REVISIONS					
REV.	ECN NO.	LOCATION	DESCRIPTION	DATE	DESIGN
A1	N/A		图面升级整理图面	2025.06.24	阿树
A2	ECN-P-2025112904	Ⓐ X1	产品尺寸及材质变更	2025.11.29	阿树



Specifications (规格):
 1. Voltage rating (额定电压): DC 30V
 2. Current rating (额定电流): 0.3A AC/DC
 3. Withstanding voltage (耐压值): $\geq 250V$ AC/minute
 4. Insulation resistance (绝缘电阻): $\geq 100M\Omega$ Min
 5. Contact resistance (接触电阻): $\leq 50m\Omega$ Max
 6. Mating cycles (使用寿命): 100,000 cycles Min
 7. Operating force (动作力): $260gf \pm 50gf$
 8. Temperature range (使用温度): $-25^{\circ}C \sim +75^{\circ}C$



Led Color	Part No	VR	IF	Recommended Operating	IF	
					Nom	Max
White	TM-002-M2-01	DC5V	20mA	20mA	3.0V	3.6V
Red	TM-002-M2-02	DC5V	20mA	20mA	1.7V	2.4V
Blue	TM-002-M2-03	DC5V	20mA	20mA	3.0V	3.6V
Green	TM-002-M2-04	DC5V	20mA	20mA	1.9V	2.4V
Yellow	TM-002-M2-05	DC5V	20mA	20mA	1.9V	2.4V

ITEM	PAPT NAMF	QTY	MATERIAL	FINISHING
5	LED	1		
4	Keystake	1	PPA	
3	Contact	1	F.ag/SUS	Ag Plated
2	Cover	1	PPA	Black
1	Cards	1	H62	Ag Plated

AuGLAR	±5°
X.	±0.40
X.x	±0.30
X.xx	±0.20
X.xxx	±0.15
UNSPECIFIED TOLERAUCES	



DESIGN	阿树	VIEW:		MODEL TYPE:	LED SWITCH
CHECKED		UNIT:	mm/in	PART NO.:	TM-002-M2-X
APPROVED		SIZE:	A4	DWG NO.:	