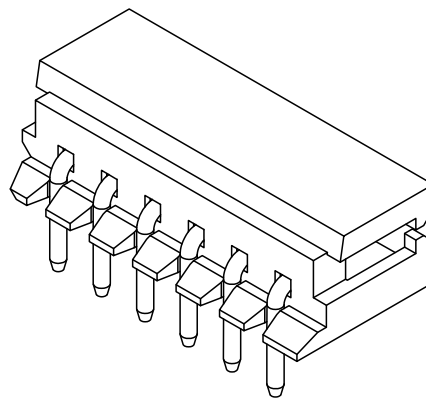
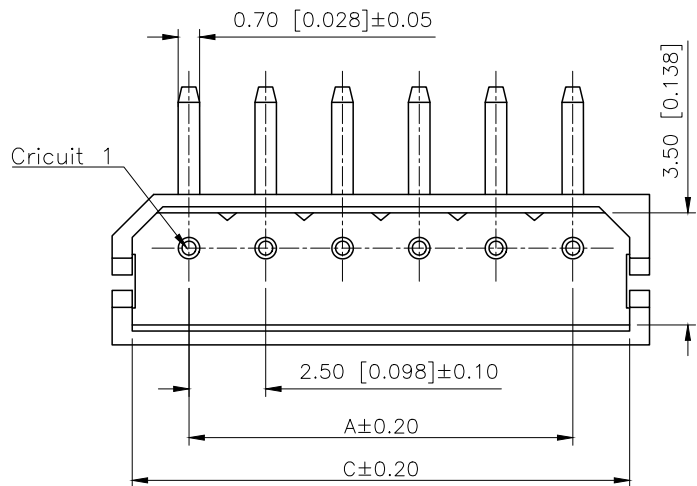


REVISIONS					
REV.	ECN NO.	LOCATION	DESCRIPTION	DATE	DESIGN
A1	N/A		图面升级整理图面	2024.9.13	阿树
A2	ECN-P-2025112804	ⒶX2	产品外观及尺寸变更	2025.11.28	阿树

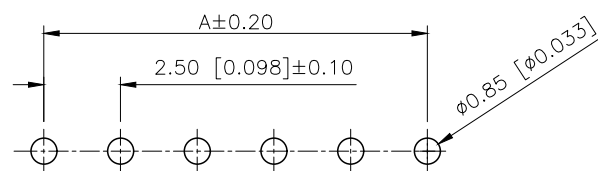
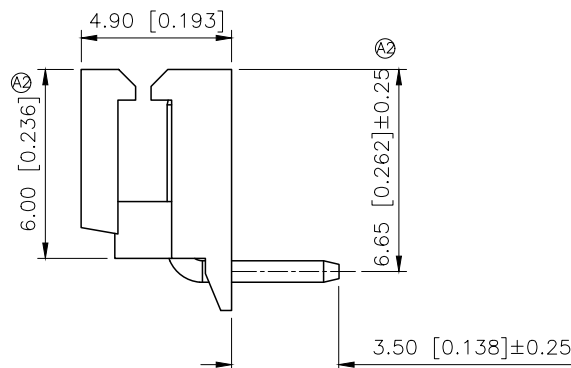
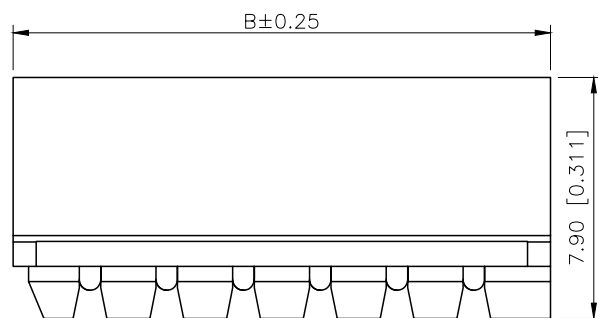


- SPECIFICATIONS
- Voltage rating: 250V AC/DC
 - Current rating: 3A AC/DC
 - Withstanding Voltage: 1000V AC/minute
 - Temperature range: -40°C ~ +125°C
 - Insulation resistance: ≥ 1000MΩ
 - Contact resistance: ≤ 10mΩ
 - After environmental testing: ≤ 20mΩ

PART NO.:

X2564 W R-XX N0 SN
 ① ② ③ ④ ⑤ ⑥

- ① Series No
- ② Category: W-Wafer
- ③ Welding Board Angle: R-Straight 90°
- ④ Row No. Pin No: XX-02~16Pin
- ⑤ Material: N0-PA66 UL94V-0
- ⑥ Planting: SN-Tin Plated



PCB LAYOUT

POLES	A	B	C	POLES	A	B	C
2	2.50	7.50	6.20	10	22.50	27.50	26.20
3	5.00	10.00	8.70	11	25.00	30.00	28.70
4	7.50	12.50	11.20	12	27.50	32.50	31.20
5	10.00	15.00	13.70	13	30.00	35.00	33.70
6	12.50	17.50	16.20	14	32.50	37.50	36.20
7	15.00	20.00	18.70	15	35.00	40.00	38.70
8	17.50	22.50	21.20	16	37.50	42.50	41.20
9	20.00	25.00	23.70				

X2564WR-XX-N0SN	Nylon 66 UL 94V-0	Brass	Tin-Plated	X2564W
PART NO	Material	Material(pin)	Finish(pin)	Suitable XKB Terminal

AuGLAR	±5°
X.	±0.40
X.x	±0.30
X.xx	±0.20
X.xxx	±0.15
UNSPECIFIED TOLERANCES	



DESIGN	阿树	VIEW:		MODEL TYPE:	2.50mm Crimp Style Connectors
CHECKED		UNIT:	mm/in	PART NO.:	X2564WR-XX-N0SN
APPROVED		SIZE:	A4	DWG NO.:	

XKB INDUSTRIAL PRECISION CO., LIMITED

SCALE	PAGE	REVISION
N/A	1/1	A2