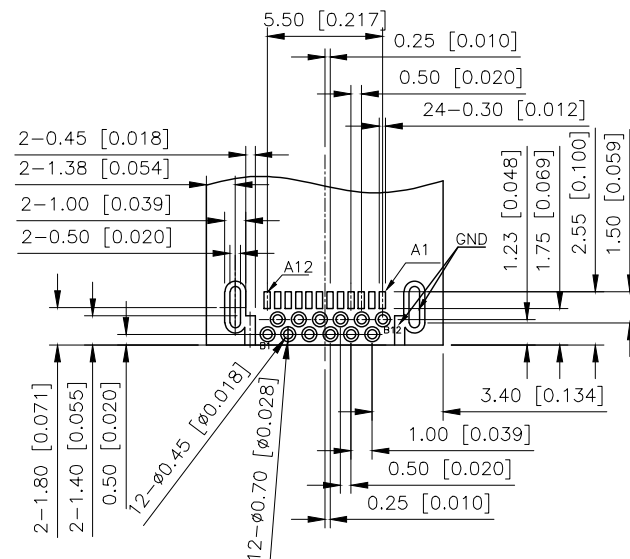
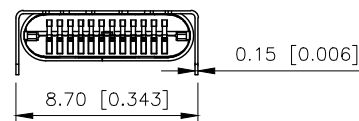
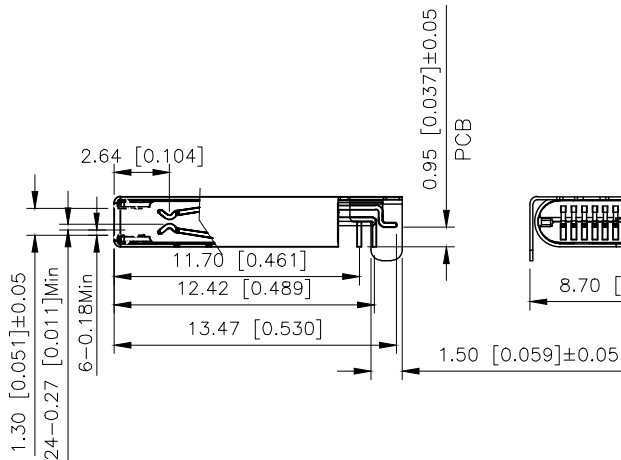
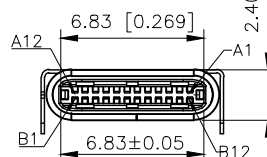
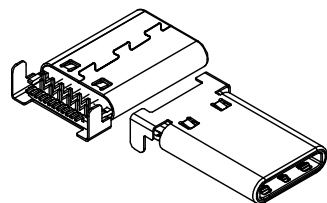
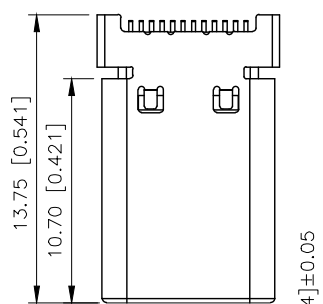
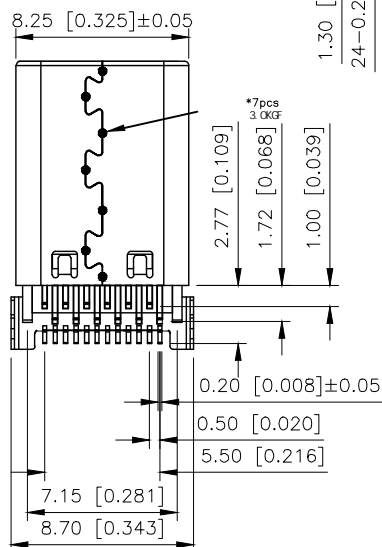


REVISIONS					
REV.	ECN NO.	LOCATION	DESCRIPTION	DATE	DESIGN
A1	N/A			2024.11.19	
A2	N/A			2025.10.23	



Recommended P.C.B Layout
Tolerance ±0.05



- NOTES:
- MATERIALI:
CONTACTS: Copper alloy T=0.15
INSULATOR: HIGH TEMPERATURE PLASTIC UL 94V-0,
Shell: STEEL T=0.15
 - ELECTRICAL PERFORMANCE:
INSULATION RESISTANCE: 100Mohm MIN.
CONTACT RESISTANCE: 40mohm MAX.
DIELECTRIC WITHSTANDING: 100 VAC
CURRENT RATING: 5A MIN.
 - MECHANICAL PERFORMANCE:
MATING FORCE: 5~20N
UNMATING FORCE: 8~20N
DURABILITY: 10000 CYCLES

U261-24XN-4BC2LS

- 1: Au 1U" MIN
- 2: Au 15U" MIN
- 3: Au 30U" MIN

- 1: WITH
- 2: WITHOUT

- 1: PBT
- 2: PA6T
- 3: PA9T
- 4: LCP

- B: BLACK
- U: BLUE
- W: WHITE
- C: CREAM-COLOR

AuGLAR	±5°
X.	±0.40
X.x	±0.30
X.xx	±0.20
X.xxx	±0.15
UNSPECIFIED TOLERANCES	



DESIGN	VIEW:	MODEL TYPE: USB TYPE C-24PIN PLUG
CHECKED	UNIT: mm/in	PART NO.: U261-24XN-4BC2LS
APPROVED	SIZE: A4	DWG NO.: