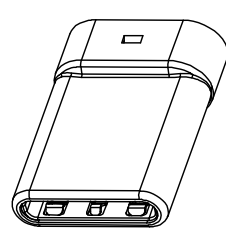
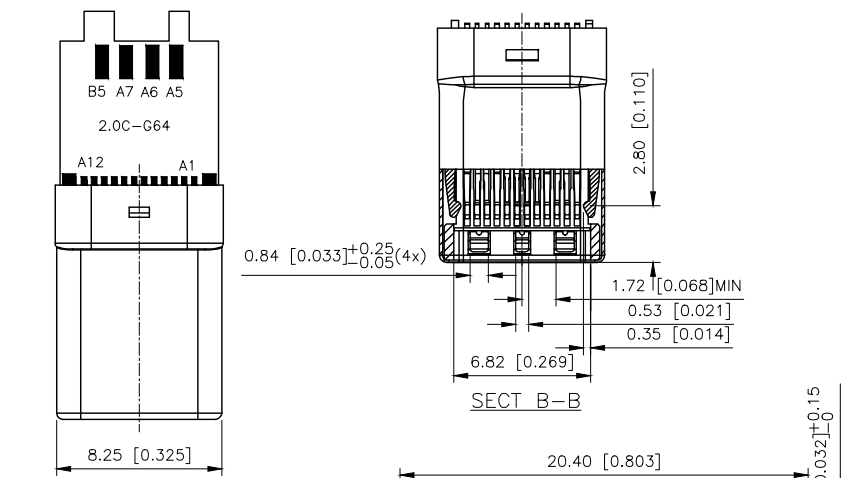
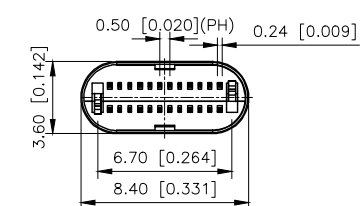
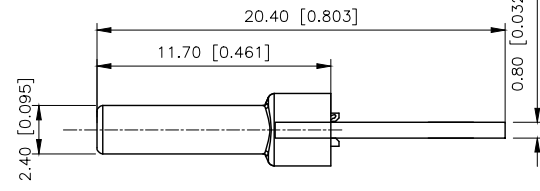
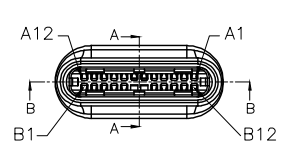
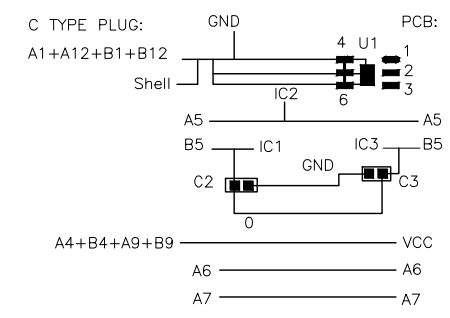


REVISIONS					
REV.	ECN NO.	LOCATION	DESCRIPTION	DATE	DESIGN
A1	N/A			2025.08.09	
A2	N/A			2025.12.16	

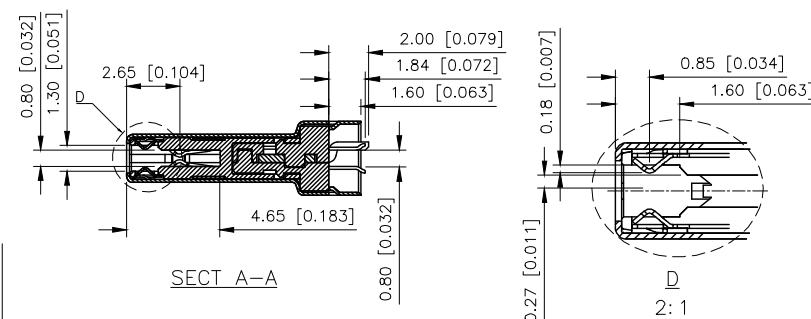
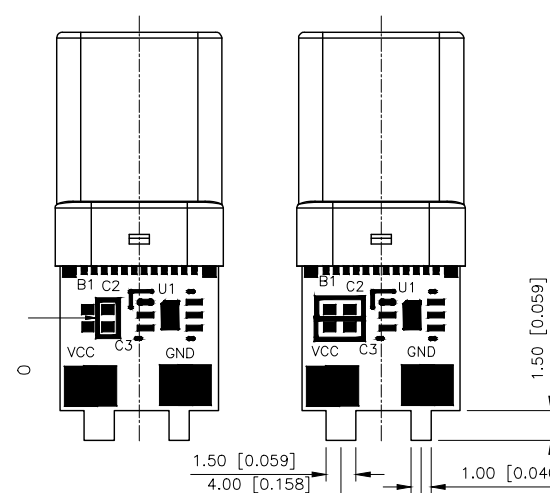
P/N	R/C
U261-24XXN-4B0417	C2 C3 IC 0



U261-24XXN-4B0417
 1: Au1u"
 2: Ni
 1: Au1u"
 2: Au3u"
 4: Au15u"
 5: Au30u"



- REMARKS
- CONTACT INSERTION AND WITHDRAW FORCE
 - Insertion force 5N-20N max.
 - Withdrawal force 8N-20N.
 - Durability 10000Cycles.
 - ELECTRIC PROPERTY
 - Contact current rating 3A.
 - Dielectric Strength 100V AC(RMS).
 - Insulation Resistance 100 megaohms min.
 - Contact resistance 40mOhms MAX.FOR VBUS,GND AND OTHER CONTACT 50mOhms MAX.AFTER ENVIRONMENT TEST
 - AMBIENT TEMPERATURE
 - Operating temperature -55°C to +85°C.



ITEM	DESCRIPTION	MATERIAL	REMARKS
6	Shrapnel	SUS T=0.10mm	
5	Shell	SUS T=0.15mm	Ovep-plating Ni
4	Terminal	C7025 T=0.15mm	Ovep-plating: Au Ni/Sn
3	Latch	SUS T=0.4mm	
2	Housing	LCP	UL94-0
1	Housing Stopper	LCP	UL94-0

ITEM	DESCRIPTION	MATERIAL	REMARKS								
A12	A11	A10	A9	A8	A7	A6	A5	A4	A3	A2	A1
GND	RX2+	RX2-	Vbus	SBU1	D-	D+	CC	Vbus	TX1-	TX1+	GND
GND	TX2+	TX2-	Vbus	Vconn	D+	D-	SBU2	Vbus	RX1-	RX1+	GND
B1	B2	B3	B4	B5	B6	B7	B8	B9	B10	B11	B12

AuGLAR	±5°
X.	±0.40
X.x	±0.30
X.xx	±0.20
X.xxx	±0.15
UNSPECIFIED TOLERANCES	



DESIGN	
CHECKED	
APPROVED	

VIEW:	MODEL TYPE: Type-C 3.1
UNIT: mm/in	PART NO.: U261-24XXN-4B0417
SIZE: A4	DWG NO.: