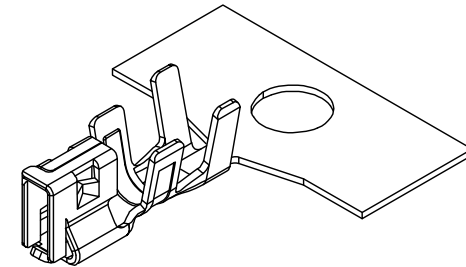
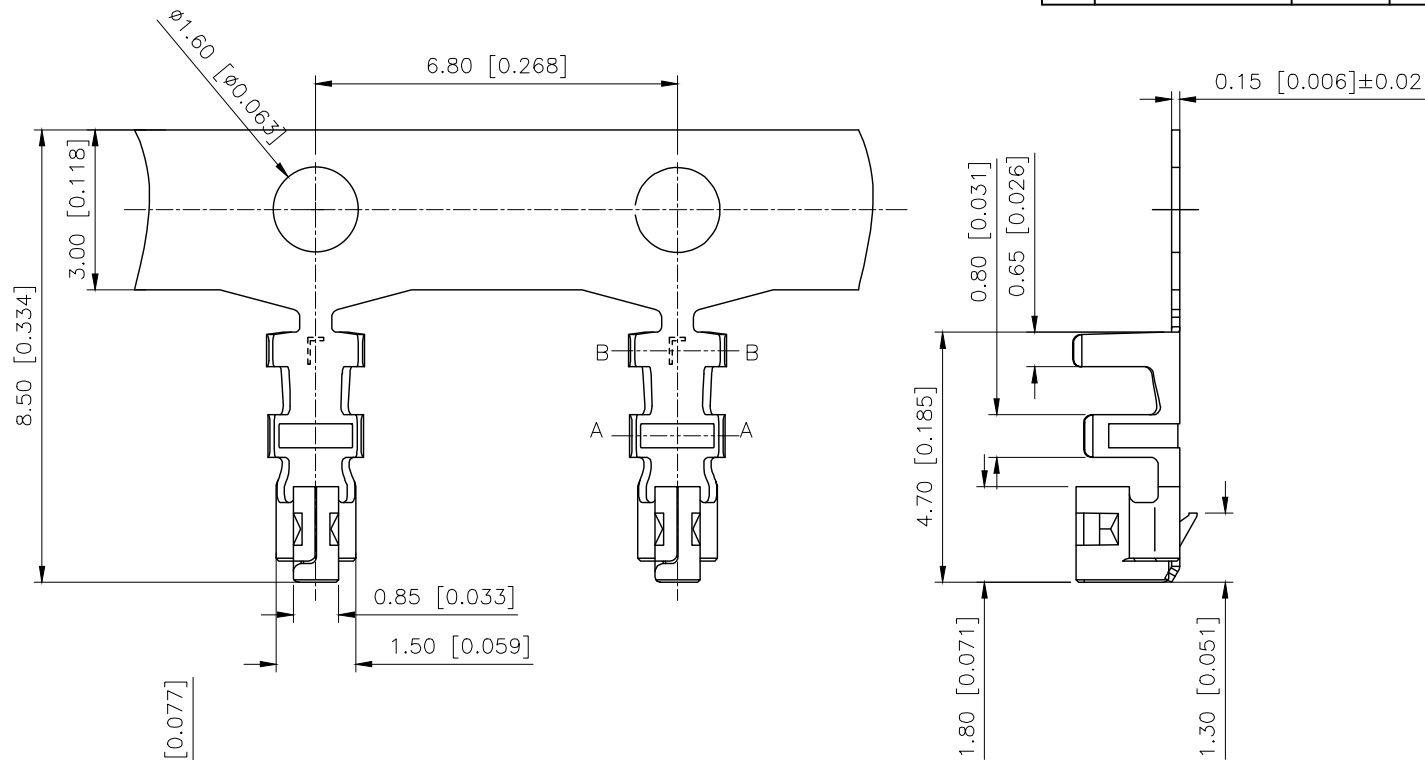


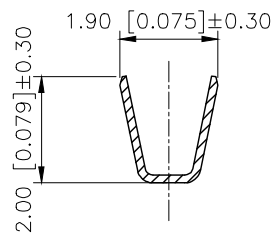
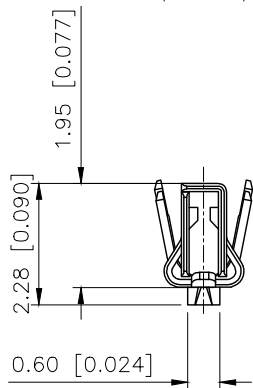
REVISIONS					
REV.	ECN NO.	LOCATION	DESCRIPTION	DATE	DESIGN
A3	ECN-P-2025081203			2025.08.12	
B0	ECN-P-2025102802			2025.10.28	



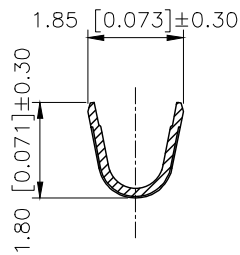
PART NO.:

X2009 I F-P SN-A

Series Number.
 Category: T-terminal
 Category:F-Female Terminal
 Material: P-Phosphor bronze
 Plating style:SN-Bright Tin Plating
 A:Short style



SECTION:B-B
SCALE:1:1



SECTION:A-A
SCALE:1:1

X2009TF-PSN-A	Phoshor Bronze	AWG#22-26	1.4mm(MAX)	Sn-Plated	X2009HM-A
PART NO	Material	Wire Range	Insulation O.D.	Finish	Suitable XKB Housing

AuGLAR	±5°
X.	±0.40
X.x	±0.30
X.xx	±0.20
X.xxx	±0.15
UNSPECIFIED TOLERANCES	



DESIGN	VIEW:	MODEL TYPE: 2.00mm Crimp Style Connectors
CHECKED	UNIT: mm/in	PART NO.: X2009TF-PSN-A
APPROVED	SIZE: A4	DWG NO.:

XKB INDUSTRIAL PRECISION CO.,LIMITED

SCALE	PAGE	REVISION
N/A	1/1	B0