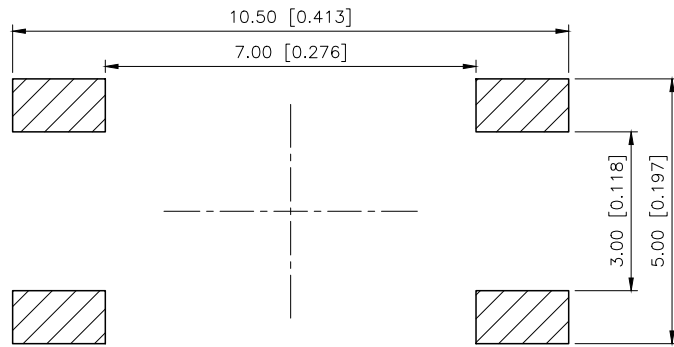
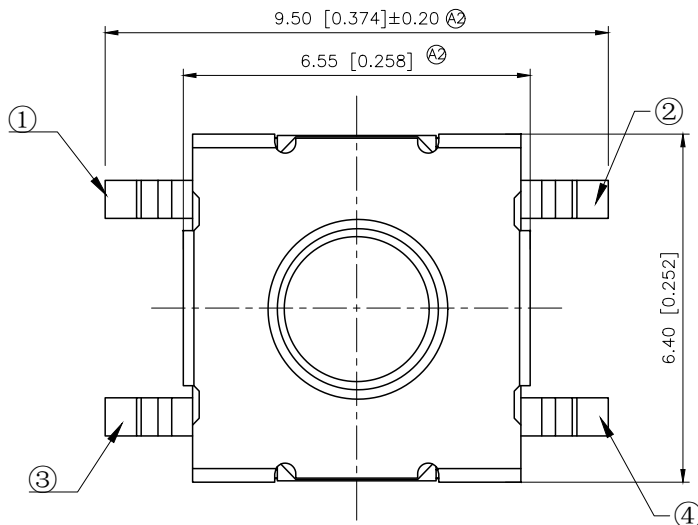
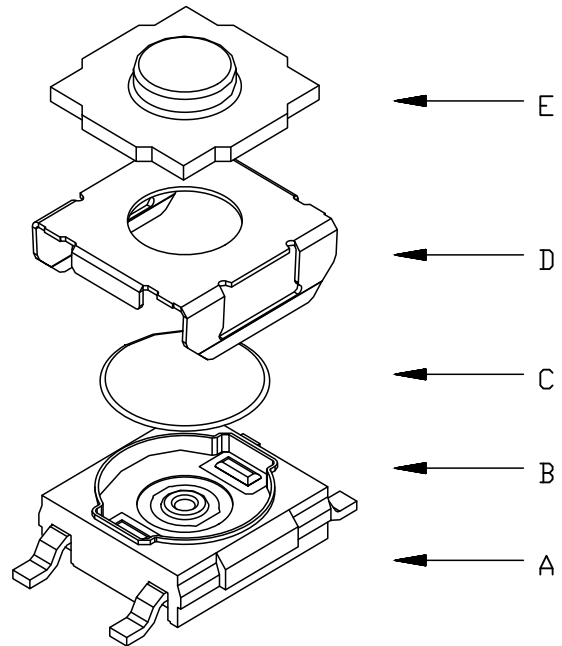
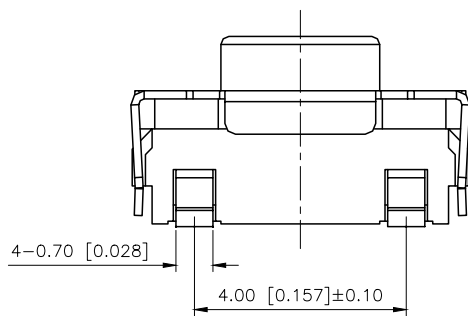
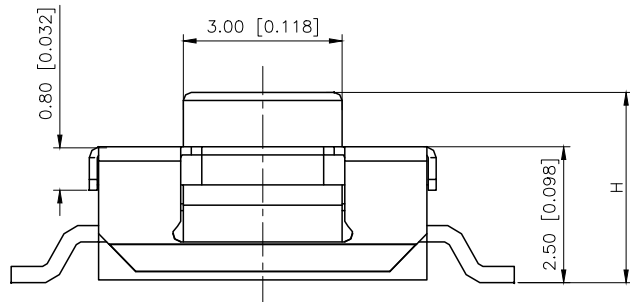


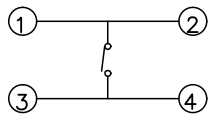
REVISIONS					
REV.	ECN NO.	LOCATION	DESCRIPTION	DATE	DESIGN
A1	N/A		图面升级整理图面	2025.06.04	阿树
A2	ECN-P-2026031201	(A2)X5	产品按力, 材质, 电气性能及尺寸变更	2026.03.12	阿树



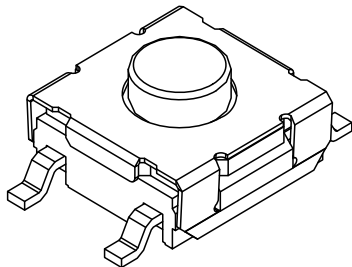
PCB Mounting pattern Dimension

PAPT NO	TS-1158B-X-X-X
(A2) Operating Force	B:180gf C:260gf E:400gf
Height	H: A:3.1 B:3.5 C:4.3 D:5.0
Color	BL:blue W:white

**SPECIFICATION**  
 Contact Rating: 50mA,12V DC  
 Contact Resistance: 100mΩ max  
 Insulation Resistance: 100MΩ min.500V DC  
 Dielectric Strength: 250V AC/1minute  
 Travel: 0.40±0.20mm (A2)  
 Operating force:±50gf  
 Operating Temp: -40℃~+85℃ (A2)  
 Storage Temp -40℃~+85℃ (A2)



Circuit Diagram



ITEM	PAPT NAMF	QTY	MATERIAL	FINISH/COLOR
E	Button	1	Silica gel	
D	Cover	1	SUS	
C	Contact	1	SUS	Ag-Plating
B	Base	1	PPA	Black
A	Cards	1	Brass	Ag-Plating

AuGLAR	±5°
X.	±0.40
X.x	±0.30
X.xx	±0.20
X.xxx	±0.15
UNSPECIFIED TOLERAUCES	



DESIGN	阿树	VIEW:		MODEL TYPE:	TACT SWITCH
CHECKED		UNIT:	mm/in	PART NO.:	TS-1158B-X-X-X
APPROVED		SIZE:	A4	DWG NO.:	

SCALE	PAGE	REVISION
N/A	1/1	A2