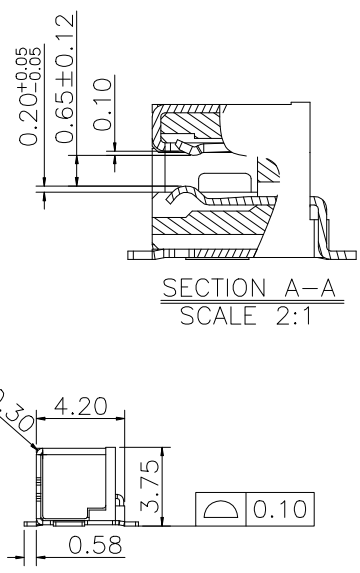
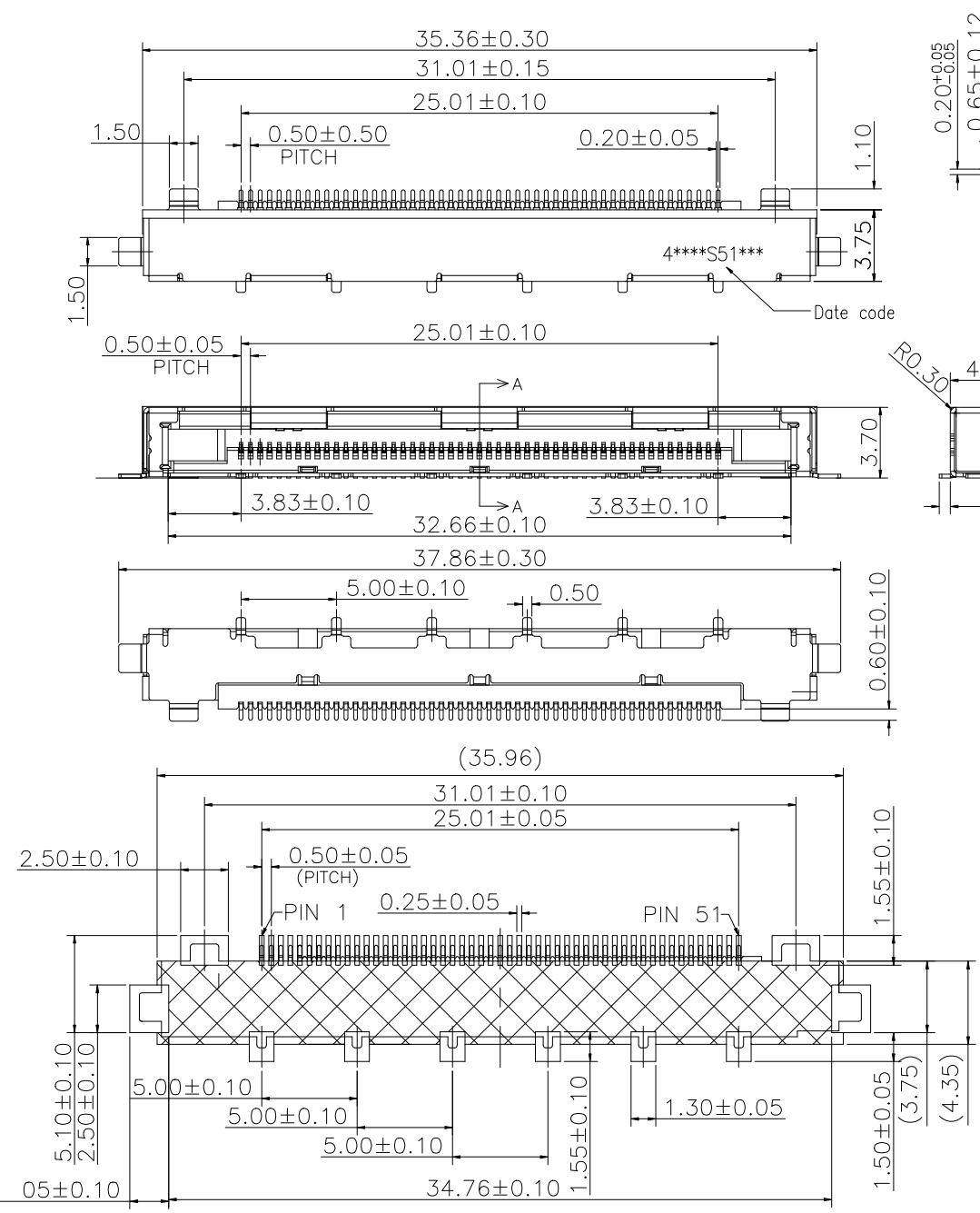
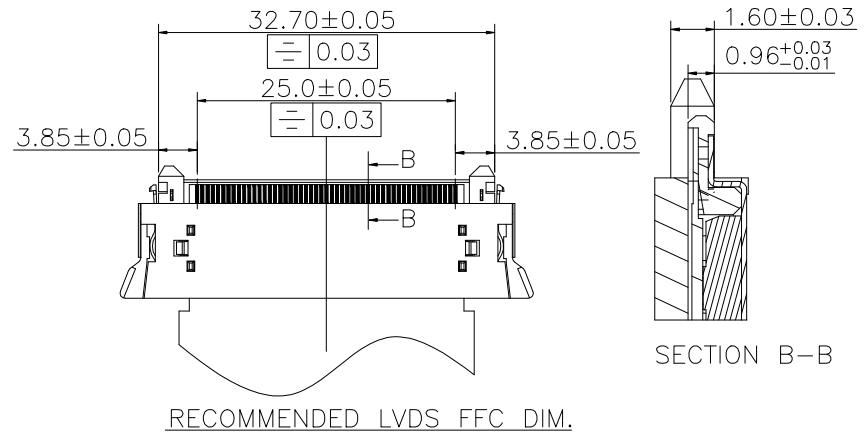
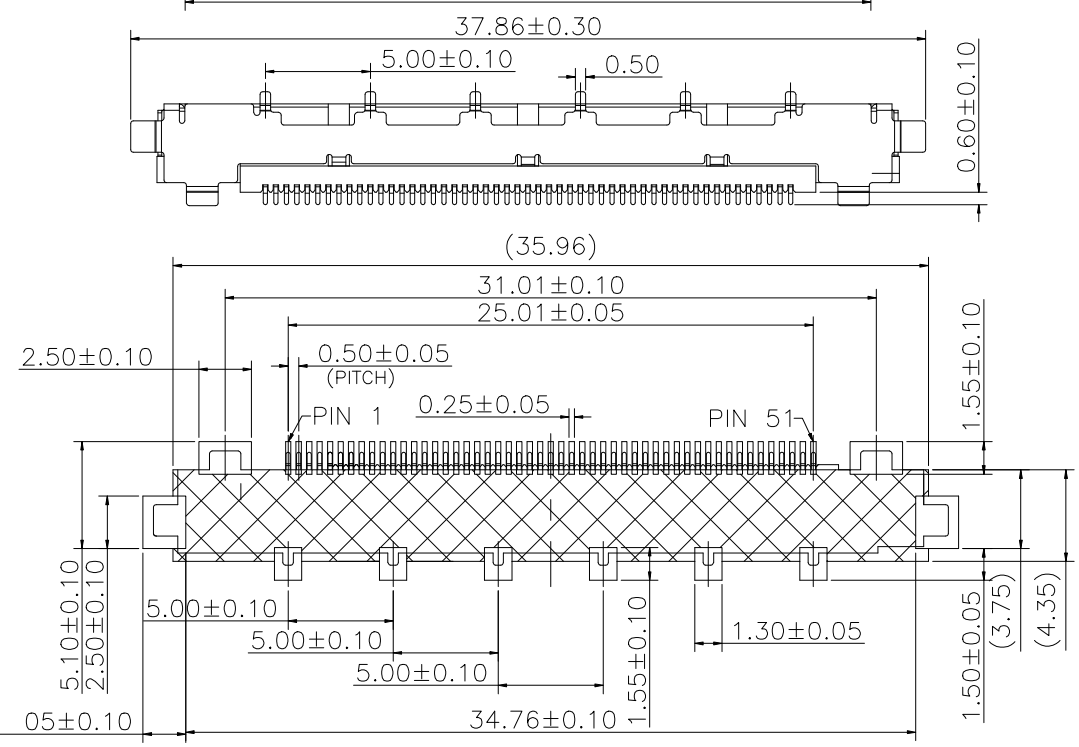


REV	ECN NO.	LOCAS.	DESCRIPTION	DATE	DESIGN
A			NEW DRAWING		



- NOTES:
- HUOSING: LCP HIGH-TEMP THERMOPLASTIC UL94V-0 COLOR:BLACK
 - TERMINAL:PHOSPHOR BRONZE
PLATING:50u" MIN NICKEL ALL OVER 80u"MIN Tin ON SOLDER AREA
1u" GOLD FLASH ON CONTACT AREA
 - SHELL:STAINLESS STEEL
PLATING:50~80u" NICKEL(WELDING NICKEL)
 - SPECIFICATION:
CURRENT RATING: 0.5A 50V AC/DC
CONTACT RESISTANCE: 40mΩ MAX
INSULATION RESISTANCE: 100MΩ AT 500V DC
OPERATING TEMPERATURE RANGE: -25°C~+85°C
WITHSTANDING VOLTANG: 250V AC/minute



RECOMMEND P.C.B LAYOUT

DESIGN:	Xiping Huang	 广东国连电子有限公司 GUANGDONG GUOLIAN ELECTRONICS CO., LTD	
CHECK:	Ke Tian		
APPROVED:	Youquan Xu	TITLE:	0.5PITCH 3.75H LVDS CONTACT R/A SMT CONN. (烧排)
DIM	TOL	DIM	TOL
X.	±0.25	X°	±3.0°
X.X	±0.20	X.X°	
X.XX	±0.15	X.XX°	
X.XXX		X.XXX°	
PART NO.		05375-51LVDS-NK-R	
REV. A	SCALE: N/A	UNIT: mm	SHEET: 1/1