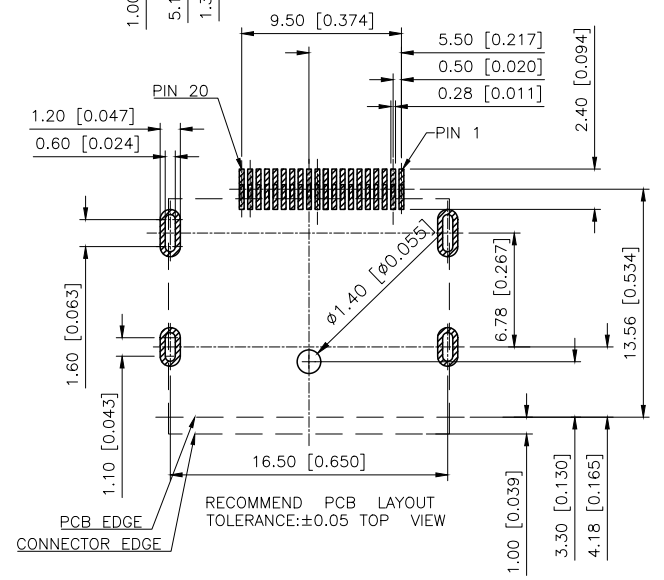
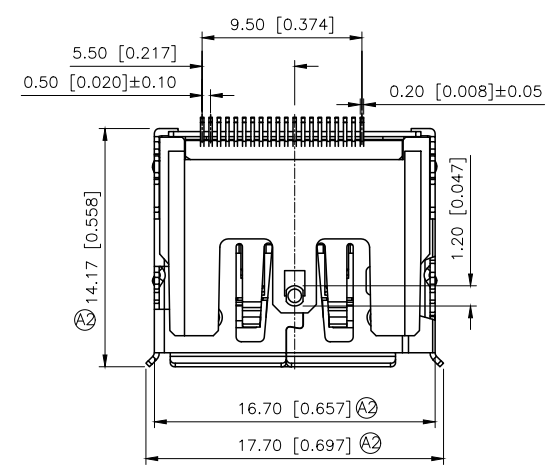
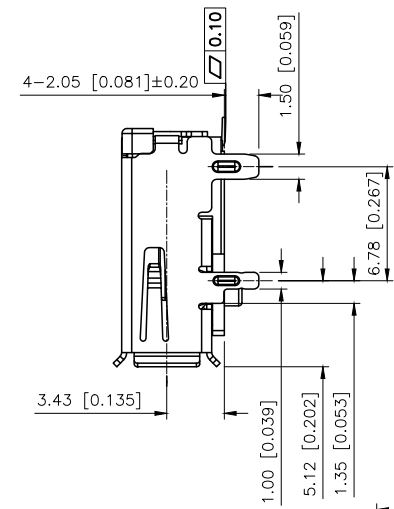
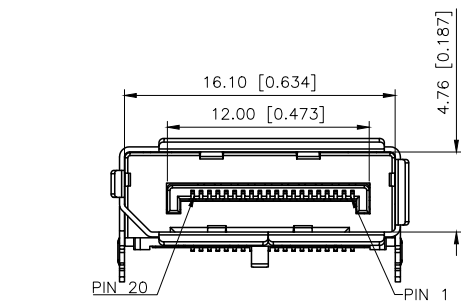
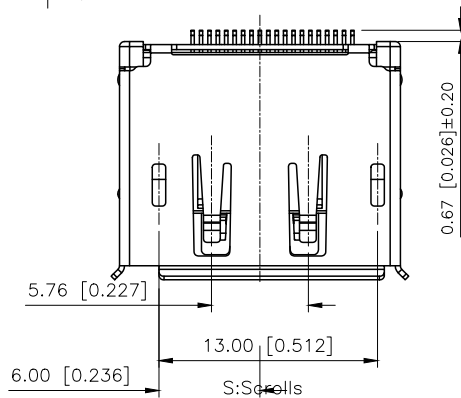
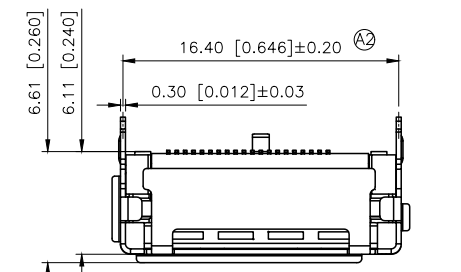


REVISIONS					
REV.	ECN NO.	LOCATION	DESCRIPTION	DATE	DESIGN
A1	N/A		图面升级整理图面	2025.03.03	阿树
A2	ECN-P-2025112901	ⒶX4	产品尺寸变更	2025.11.29	阿树



MATERIALS

- 1.HOUSING: LCP (UL94V-0), BLACK.
- 2.TERMINAL: COPPER ALLOY,T=0.20mm PLATED:GOLD PLATED.
- 3.SHELL: STAINLESS STEEL,T=0.30mm PLATED: NICKEL PLATED OVERALL

SPECIFICATION

- 1.CURRENT RATING: 0.5A. MAX.
- 2.DIELECTRIC WITHSTANDING VOLTAGE: 500V AC R.M.S. FOR ONE MINUTE.
- 3.INSULATION RESISTANCE: 100MQ MIN.AT 500V DC.
- 4.CONTACT RESISTANCE: 30mQ MAX.
- 5.OPERATING TEMPERATURE: -25°C TO +85°C
- 6.DURABILITY: 10000 CYCLES.
- 7.MATING FORCE: 4.5kgf MAX.
- 8.UNMATING FORCE: 1.0kgf MIN.

PART NO.:

CAR60-20 1 E N X S  
① ② ③ ④ ⑤ ⑥ ⑦

- ① DISPLAY PORT
- ② POS NO.: 20:20 POS.
- ③ HOUSING COLOR 1:BLACK
- ④ CONTACT PLATING E:AU30U"+MATTE TIN
- ⑤ SHELL PLATING: N=NICKEL PLATING
- ⑥ PACKAGE 2=TAPE REEL 5=TAPE REEL+MYLAR
- ⑦ Interface type: S:Scrolls;

AuGLAR	±5°
X.	±0.40
X.x	±0.30
X.xx	±0.20
X.xxx	±0.15
UNSPECIFIED TOLERANCES	

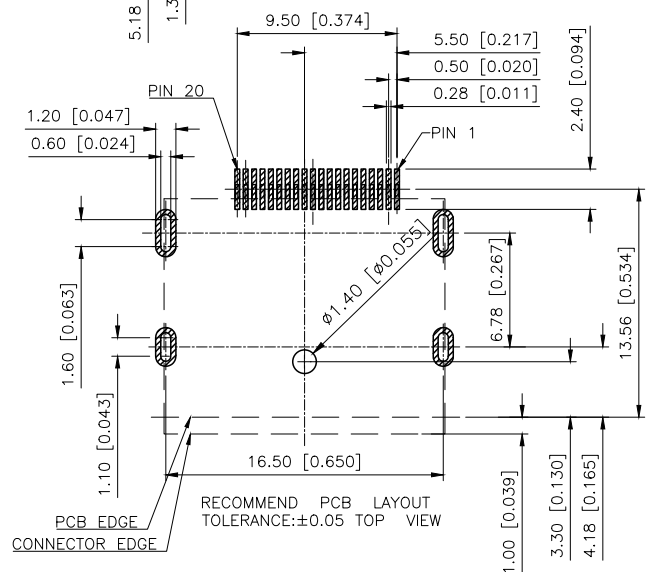
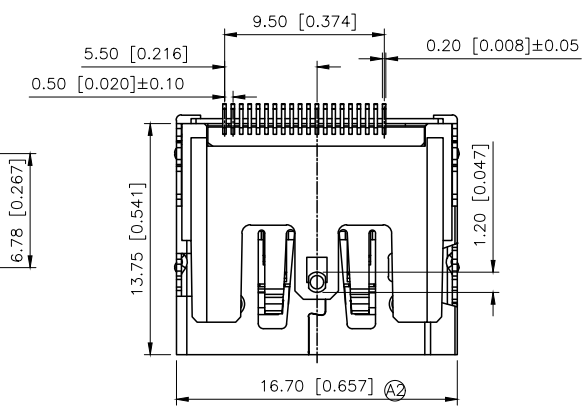
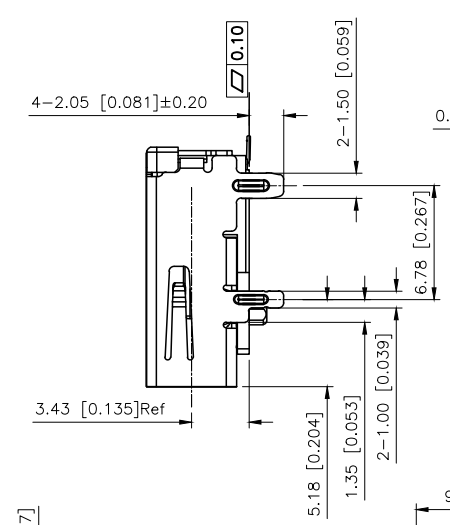
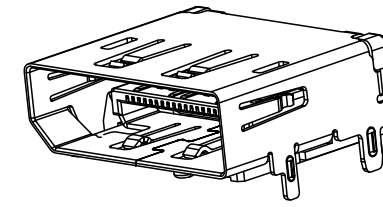
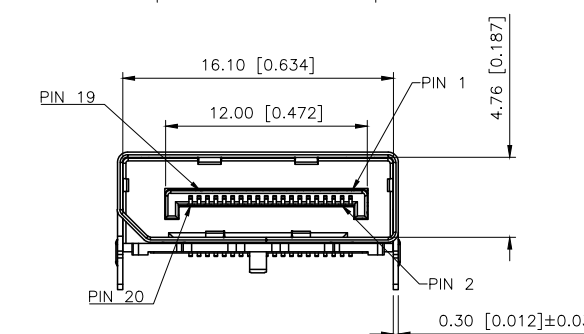
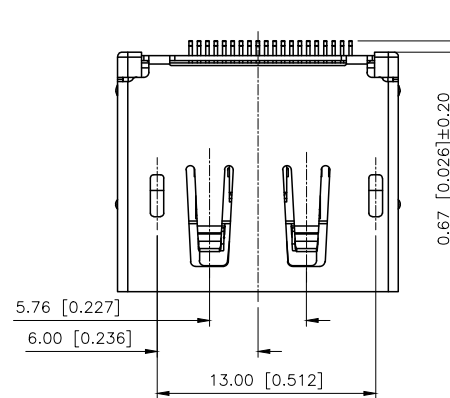
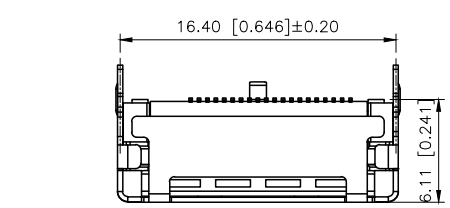


DESIGN	阿树	VIEW:		MODEL TYPE:	DP CONNECTOR
CHECKED		UNIT:	mm/in	PART NO.:	CAR06-201ENXS
APPROVED		SIZE:	A4	DWG NO.:	

XKB INDUSTRIAL PRECISION CO.,LIMITED

SCALE	PAGE	REVISION
N/A	1/1	A2

REVISIONS					
REV.	ECN NO.	LOCATION	DESCRIPTION	DATE	DESIGN
A1	N/A		图面升级整理图面	2025.03.03	阿树
A2	ECN-P-2025112902	②X1	图面升级整理图面	2025.11.29	阿树



MATERIALS

- 1.HOUSING: LCP (UL94V-0), BLACK.
- 2.TERMINAL: COPPER ALLOY,T=0.20mm PLATED:GOLD PLATED.
- 3.SHELL: STAINLESS STEEL,T=0.30mm PLATED: NICKEL PLATED OVERALL

SPECIFICATION

- 1.CURRENT RATING: 0.5A. MAX.
- 2.DIELECTRIC WITHSTANDING VOLTAGE: 500V AC R.M.S. FOR ONE MINUTE.
- 3.INSULATION RESISTANCE: 100MQ MIN.AT 500V DC.
- 4.CONTACT RESISTANCE: 30mQ MAX.
- 5.OPERATING TEMPERATURE: -25°C TO +85°C
- 6.DURABILITY: 10000 CYCLES.
- 7.MATING FORCE: 4.5kgf MAX.
- 8.UNMATING FORCE: 1.0kgf MIN.

PART NO.:

CAR60-20 1 E N X F  
① ② ③ ④ ⑤ ⑥ ⑦

- ① DISPLAY PORT
- ② POS NO.: 20:20 POS.
- ③ HOUSING COLOR 1:BLACK
- ④ CONTACT PLATING E:Au30u"+MATTE TIN
- ⑤ SHELL PLATING: N=NICKEL PLATING
- ⑥ PACKAGE 2=TAPE REEL 5=TAPE REEL+MYLAR
- ⑦ Interface type: F:Flat

AuGLAR	±5°
X.	±0.40
X.x	±0.30
X.xx	±0.20
X.xxx	±0.15
UNSPECIFIED TOLERANCES	



DESIGN	阿树	VIEW:		MODEL TYPE:	DP CONNECTOR
CHECKED		UNIT:	mm/in	PART NO.:	CAR06-201ENXF
APPROVED		SIZE:	A4	DWG NO.:	