

REVISIONS					
REV.	ECN NO.	LOCATION	DESCRIPTION	DATE	DESIGN
A1	N/A		FIN	2024.12.11	
A2	ECN-P-2026010903	Ⓜx1		2026.01.09	

PART NO.:

X06 44 F I X X X

Series No

Pin No.:44PIN

Welding Board Angle :F-Female

T Tradutional

Planting Category:

1:1U 2:2U 3:3U 4:5U 5:15U 6:30U 7:AU Sn

Color:B:Black W:White BL:Blue Y:Yellow G:Green R:Red

1:TYPE-1; 2:TYPE-2; 3:TYPE-3; 6:TYPE-6

Specifications:

Current rating:5A AC/DC

5A AC/DC

Voltage rating:500V AC

500V AC

Withstanding voltage:500V AC/MIN

500V AC/

Temperature range:-55 +105

-55 +105

Insulation resistance:1000MΩMIN

1000MΩ

Contact resistance:30mΩMAN

:≤30mΩ

Material And FINISHED:

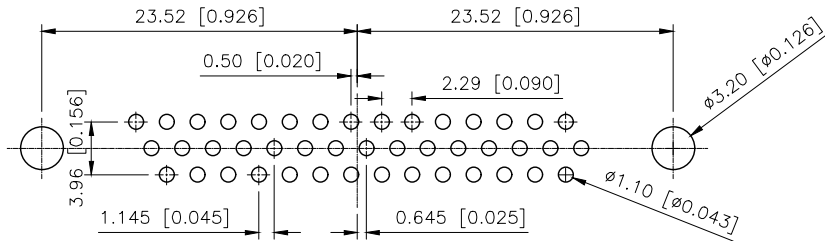
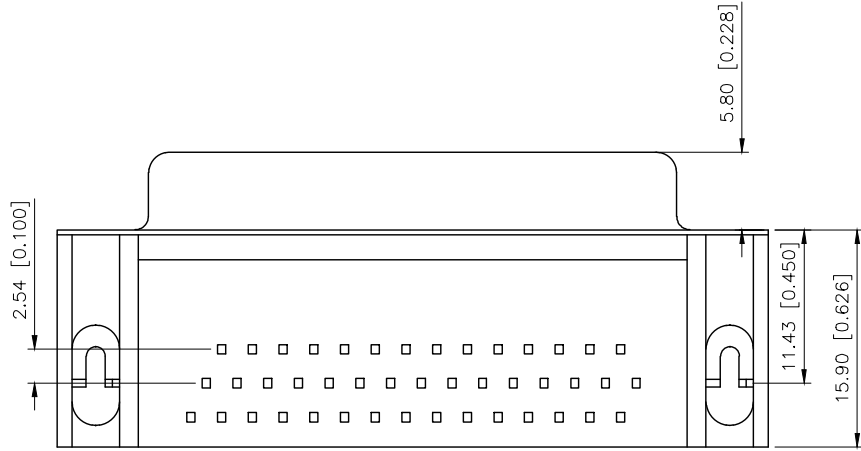
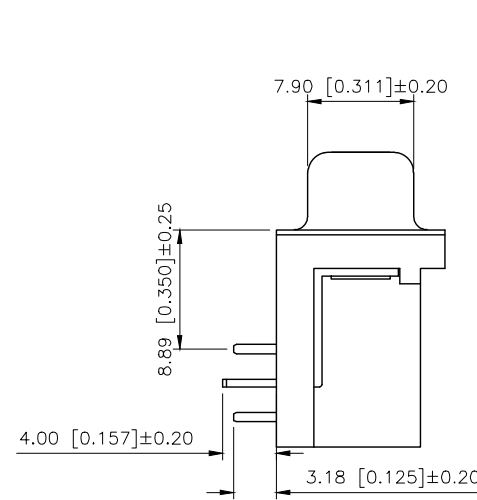
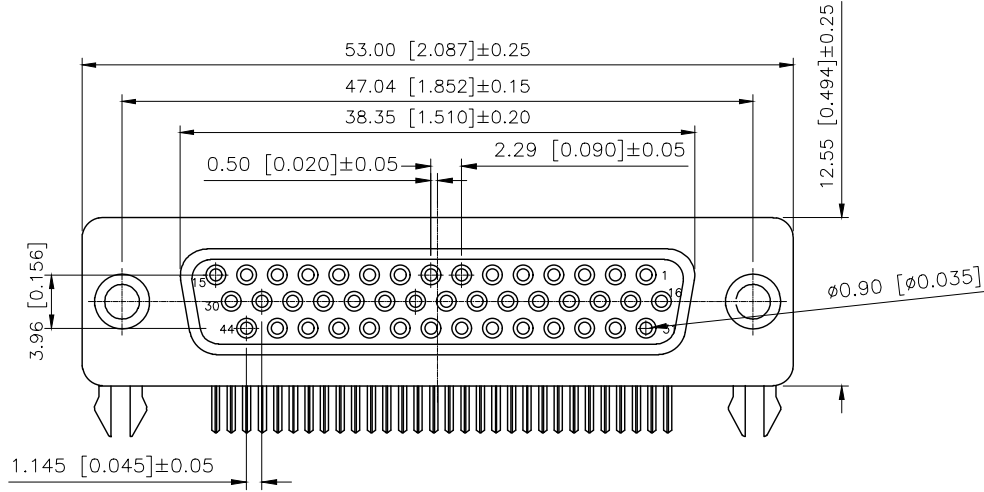
:

INSULATOR:PBT+30% GF UL 94V-0

PBT+30% GF UL 94V-0

SHELL: Steel Plated Ni

CONTACT MATERIAL:Brass



PCB LAYOUT

	TYPE-1:	TYPE-6	TYPE-3	TYPE-2

AuGLAR	±5°
X.	±0.40
X.x	±0.30
X.xx	±0.20
X.xxx	±0.15
UNSPECIFIED TOLERANCES	



DESIGN	VIEW:	MODEL TYPE: D-SUB
CHECKED	UNIT: mm/in	PART NO.: X0644FTXXX
APPROVED	SIZE: A4	DWG NO.: