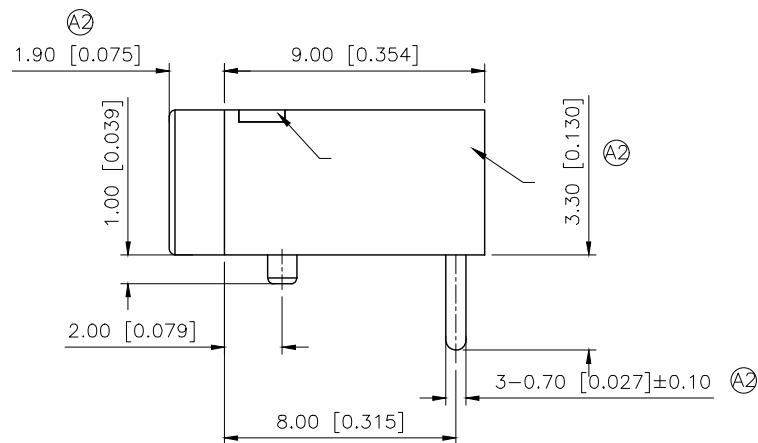
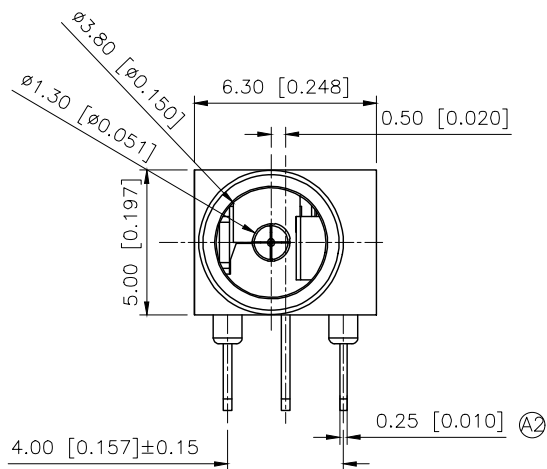
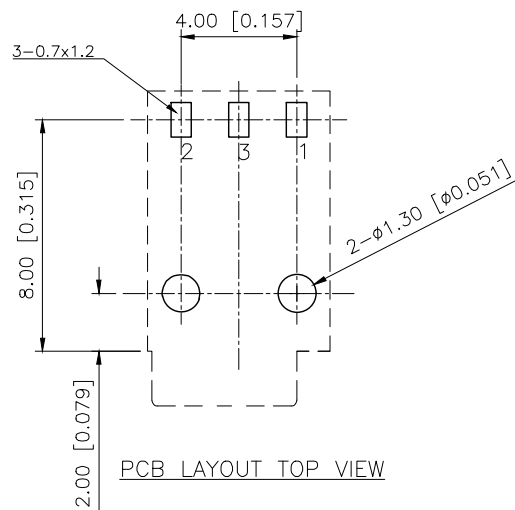
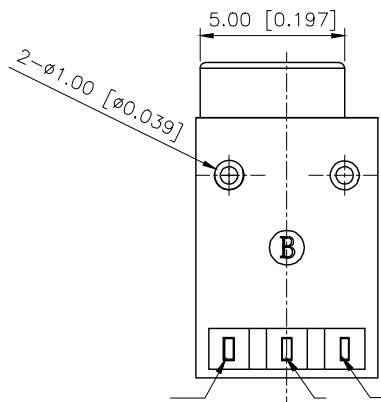


REVISIONS					
REV.	ECN NO.	LOCATION	DESCRIPTION	DATE	DESIGN
A1	N/A			2025.06.30	
A2	ECN-P-2025112002	(A2)X4		2025.11.20	



- Specifications( )
- Voltage rating( ):DC 30V
  - Current rating( ):0.5A AC/DC
  - Withstanding voltage( ): 500V AC/minute
  - Insulation resistance( ): 100MΩ Min
  - Contact resistance( ):≤30mΩ Max
  - Mating cycles 5000 cycles Min
  - Insertion and extraction force 3~30N
  - Temperature range( ): -30 ~+70



SCHEMATIC	
Model	DC-003A-2A
Center Pin	φ1.0 mm
	φ1.3 mm

	Round needle	1	Brass φ1.3	CuSn
	Bend sheet	1	Broze t=0.3	CuSn
	Tip spring	1	Manganese steel t=0.25	SnSb
	Cover	1	PA66	Black
	Housing	1	PPA	Black
NO	PAPT NAMF	QTY	MATERIAL	FEATURES

AuGLAR	±5°
X.	±0.40
X.x	±0.30
X.xx	±0.20
X.xxx	±0.15
UNSPECIFIED TOLERAUCES	



DESIGN  
CHECKED  
APPROVED

VIEW:   
UNIT: mm/in  
SIZE: A4

MODEL TYPE:  
DC POWER JACK  
PART NO.:  
DC-003A-2A-1.3  
DWG NO.:

XKB INDUSTRIAL PRECISION CO.,LIMITED

SCALE	PAGE	REVISION
N/A	1/1	A2