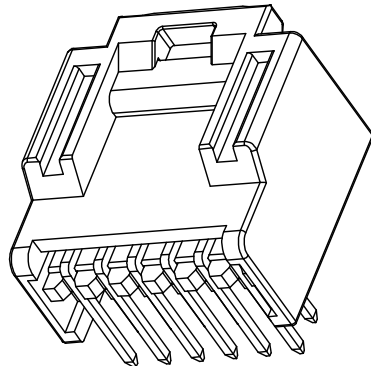
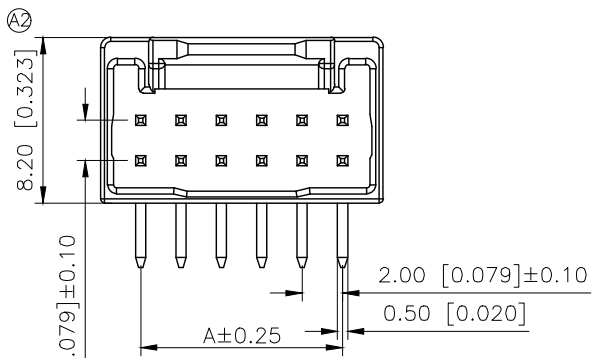


REVISIONS					
REV.	ECN NO.	LOCATION	DESCRIPTION	DATE	DESIGN
A1	N/A			2024.12.07	
A2	ECN-P-2026031702	②X2		2026.03.17	

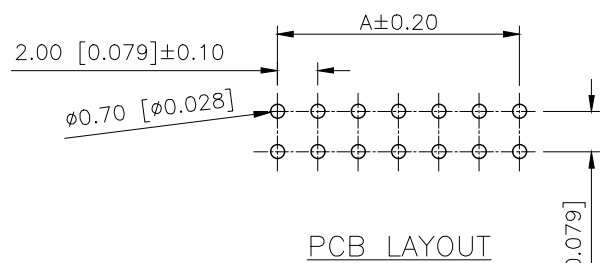
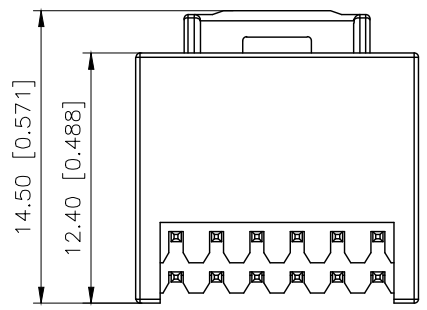
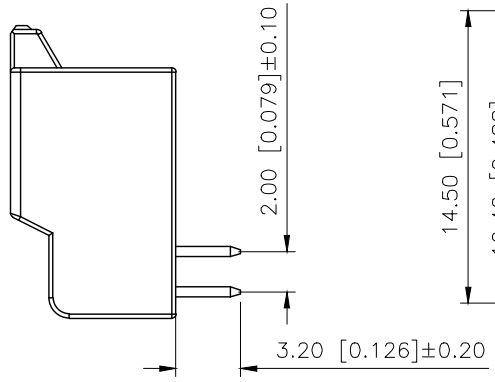
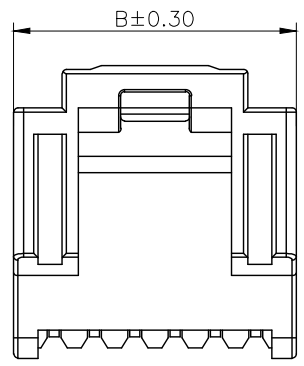


- Specifications()
- 1.Voltage rating():DC 250V
 - 2.Current rating():3A AC/DC
 - 3.Withstanding voltage(): 800V AC/minute ②
 - 4.Insulation resistance(): 1000MΩ Min
 - 5.Contact resistance():≤20mΩ Max
 - 6.Temperature range(): -40 ~ +125

PART NO.:

X2081 W R-2xXX-NO SN

Series No
 Category:W-Wafer
 Welding Board Angle:R-Stright 90°
 Row No.Pin No:2xXX-2x05~2x20P
 Material : NO-PA66 94V-0
 Plating Category: SN-Bright Tin Plating
 V01-Gold GF



Poles	Dimensions(mm)		Poles	Dimensions(mm)	
	A	B		A	B
2x05	8.00	12.00	2x13	24.00	30.00
2x06	10.00	14.00	2x14	26.00	32.00
2x07	12.00	16.00	2x15	28.00	34.00
2x08	14.00	18.00	2x16	30.00	36.00
2x09	16.00	20.00	2x17	32.00	38.00
2x10	18.00	22.00	2x18	34.00	40.00
2x11	20.00	24.00	2x19	36.00	42.00
2x12	22.00	26.00	2x20	38.00	44.00

X2081WR-XX-NOV01	Nylon 66 UL 94V-0	Brass	Gold-Plated	X2081H
X2081WR-XX-N0SN			Tin-Plated	
PART NO	Material	Material(pin)	Finish(pin)	Suitable XKB Terminal

AuGLAR	±5°
X.	±0.40
X.x	±0.30
X.xx	±0.20
X.xxx	±0.15
UNSPECIFIED TOLERANCES	



DESIGN	
CHECKED	
APPROVED	

VIEW:	MODEL TYPE: 2.0mm Crimp Style Connector
UNIT: mm/in	PART NO.: X2081WR-XX-N0SN
SIZE: A4	DWG NO.: