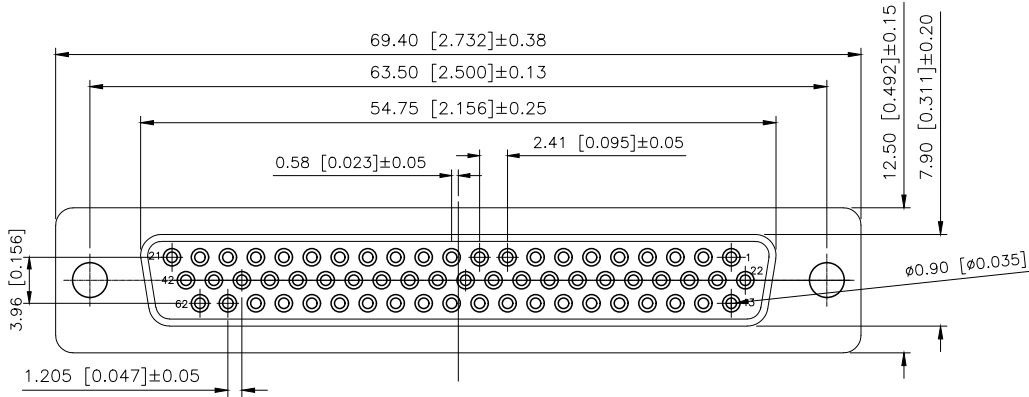


REVISIONS					
REV.	ECN NO.	LOCATION	DESCRIPTION	DATE	DESIGN
A1	N/A		尺寸变更	2024.8.20	阿树
A2	N/A		独立各PIN数图纸, 增加开孔定位尺寸	2024.12.7	阿树



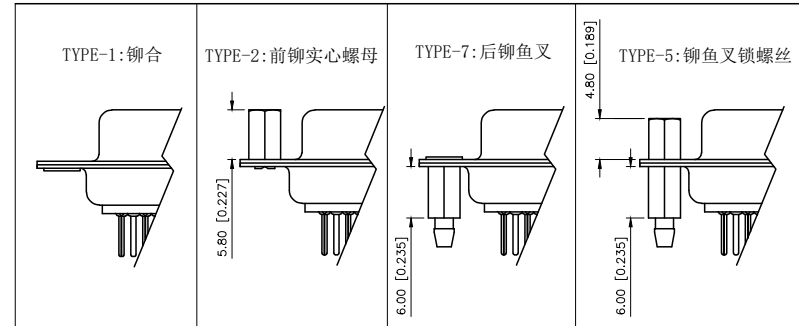
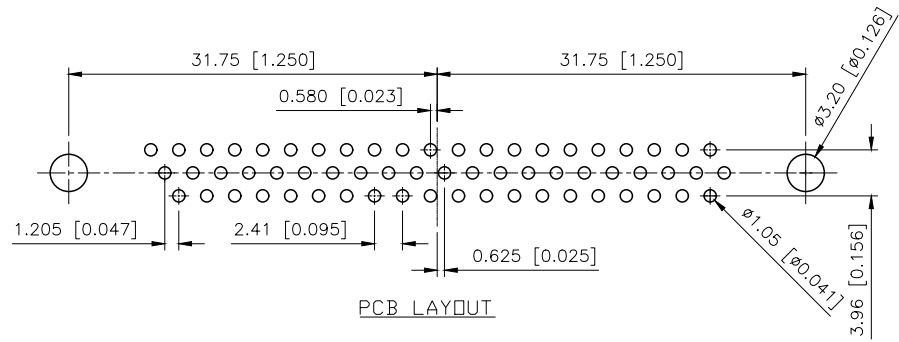
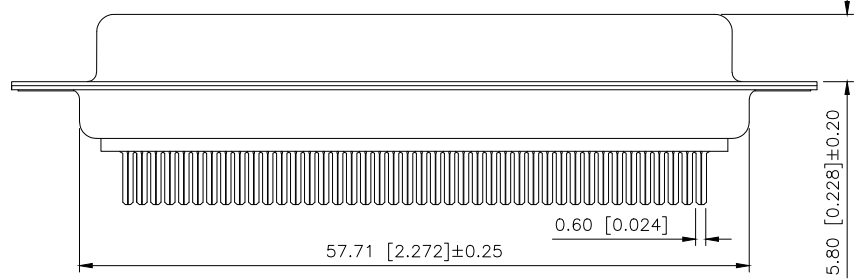
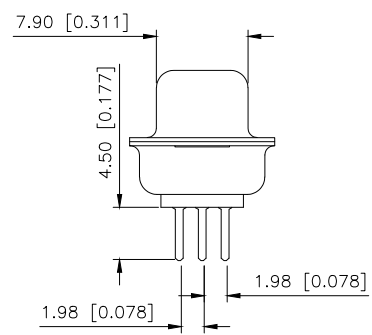
PART NO.:

X05 62 F T 7 W 5
 ① ② ③ ④ ⑤ ⑥ ⑦

- ① Series No.
- ② Pin No.:62PIN;
- ③ Welding Board Angle :F-Female
- ④ T: Tradutional C: Car-pin
- ⑤ Planting Catogtry:
 1:1U 2:2U 3:3U 4:5U 5:15U 6:30U 7:AuSn
- ⑥ Color:B-BLACK W-White BL-Blue
- ⑦ 1:TYPE-1; 2:TYPE-2; 5:TYPE-5; 7:TYPE-7

Specifications:

- 规格:
- 1.Voltage rating:250VAC/DC
 额定电压: 250V AC/DC
 - 2.Current rating:3A(T) / 5A(C) AC/DC
 额定电流: 3A(冲针) / 5A(车针) AC/DC
 - 3.Withstanding voltage:500V AC/minute
 耐受电压: ≥500V AC/分钟
 - 4.Temperature range: -55°C-+105°C
 温度范围: -55°C-+105°C
 - 5.Insulation resistance:1000MΩMIN
 绝缘电阻: ≥1000MΩ
 - 6.Contact resistance:30mΩMax
 接触电阻: ≥30mΩ
- Material:
- 材料:
- 7.Rubber core:PBT UL94V-0
 胶芯: PBT UL94V-0
 - 8.Terminal:Copper alloys
 端子: 铜合金。
 - 9.The iron shell:SPCC Nivkel Plating/
 Tin Plating/Gold Plating
 铁壳: SPCC,镀镍/镀锡/镀金
- B、成品不能有弯针, R角不一致等不良。



AuGLAR	±5°
X.	±0.40
X.x	±0.30
X.xx	±0.20
X.xxx	±0.15
UNSPECIFIED TOLERAUCES	



DESIGN	阿树	VIEW:	
CHECKED		UNIT:	mm/in
APPROVED		SIZE:	A4

MODEL TYPE:	D-SUB
PART NO.:	X0562FT7W5
DWG NO.:	X-X0562FT7W5