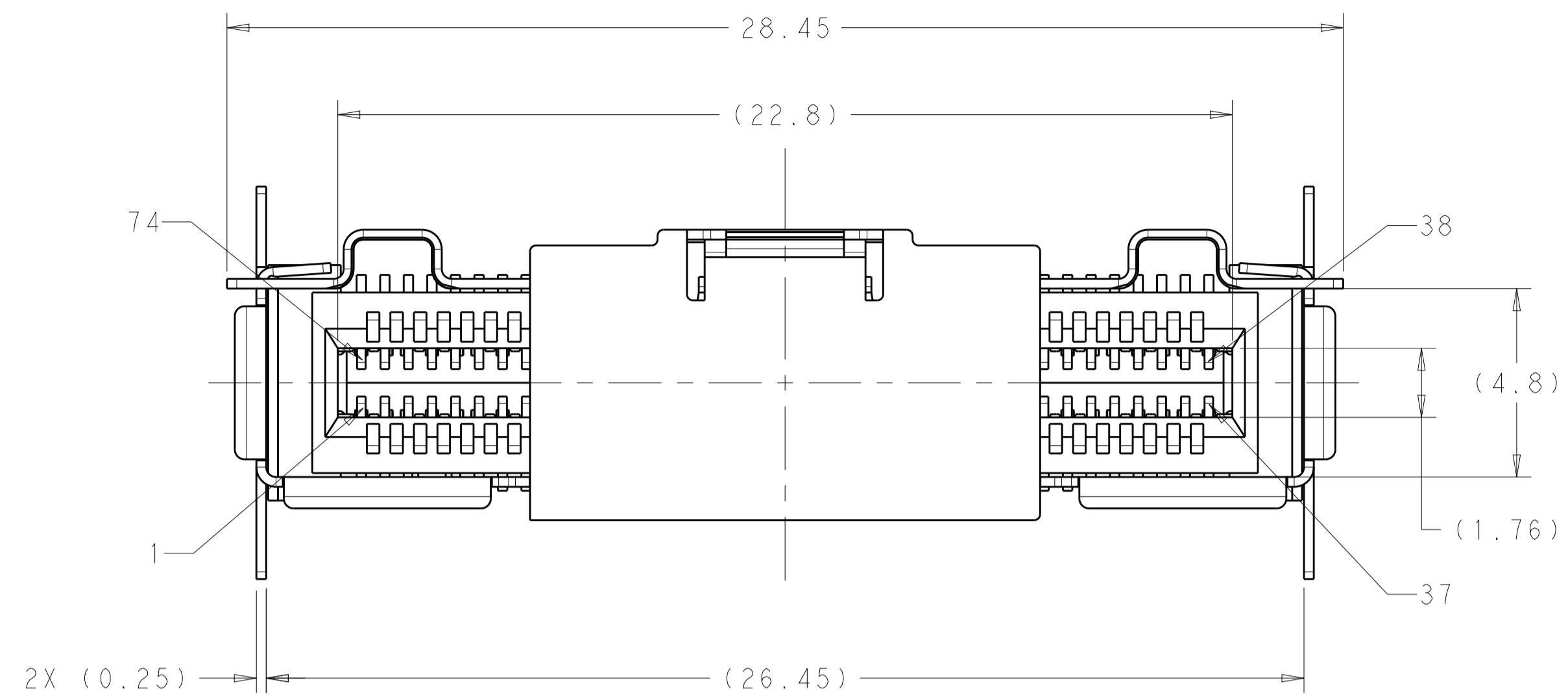
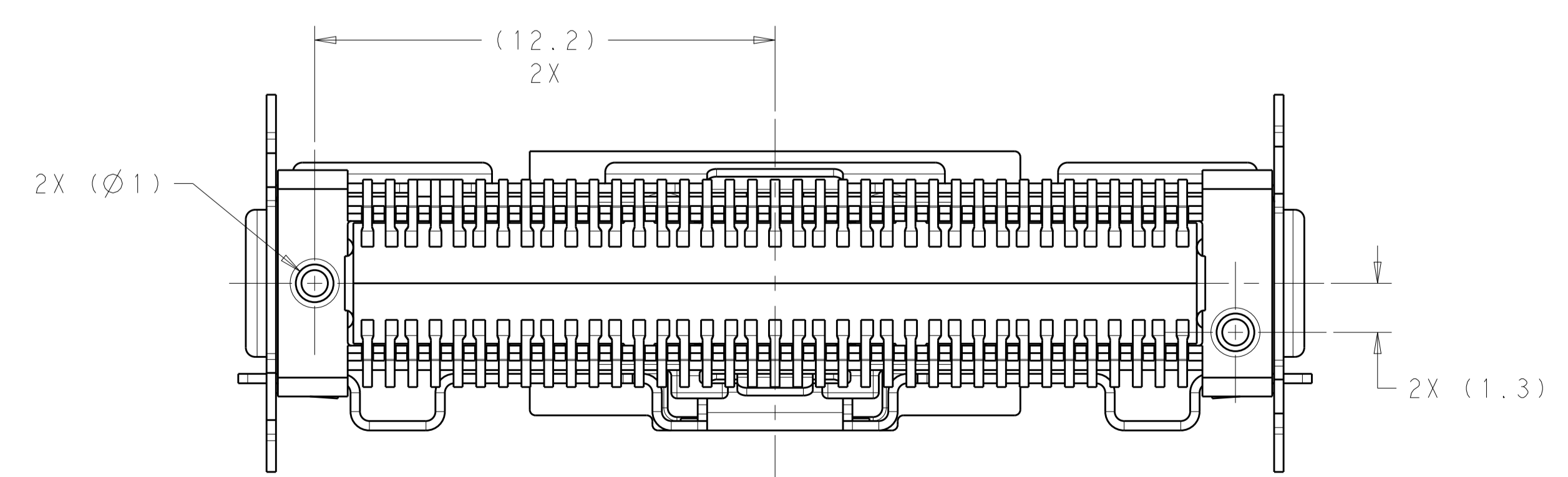
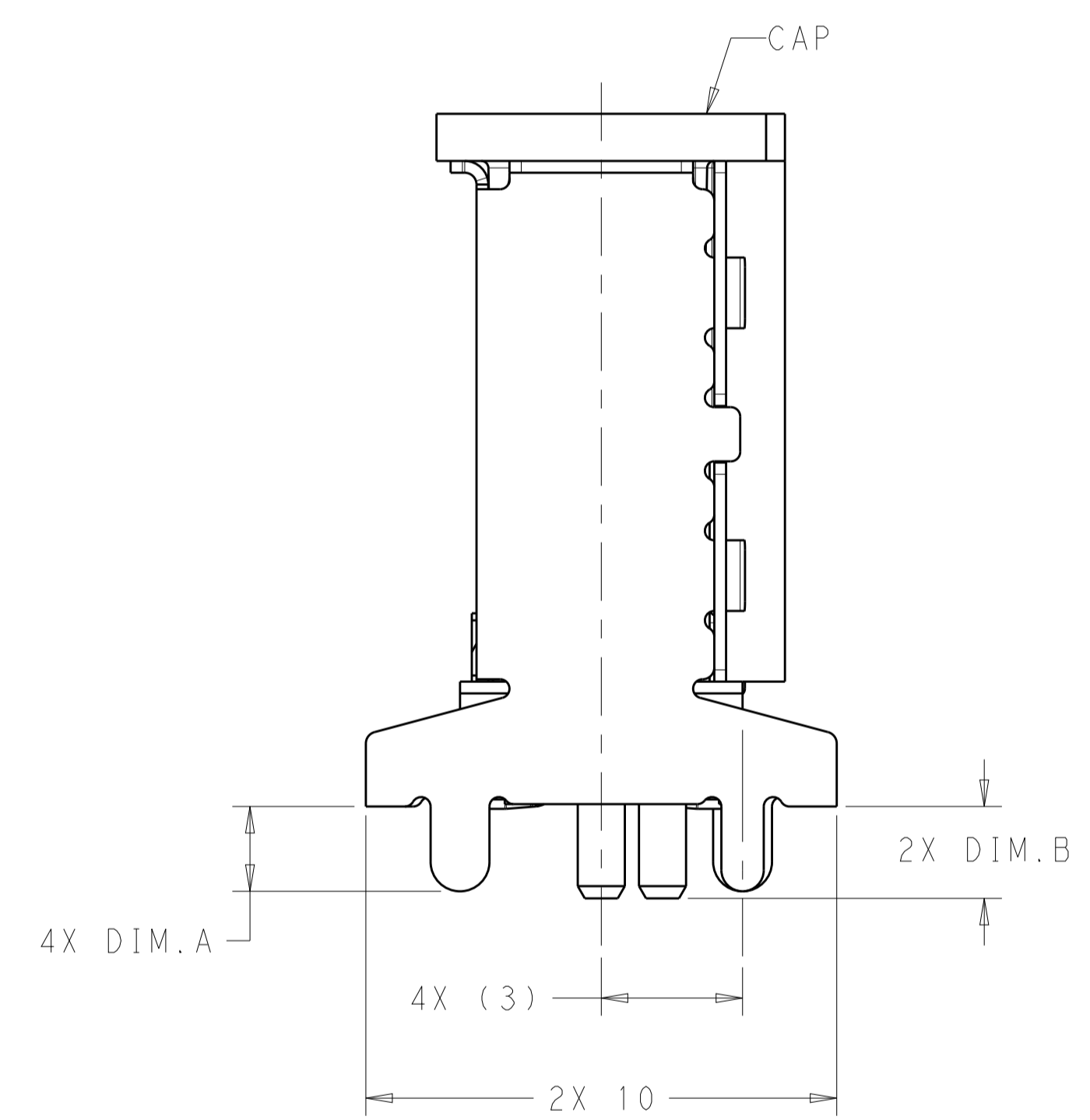
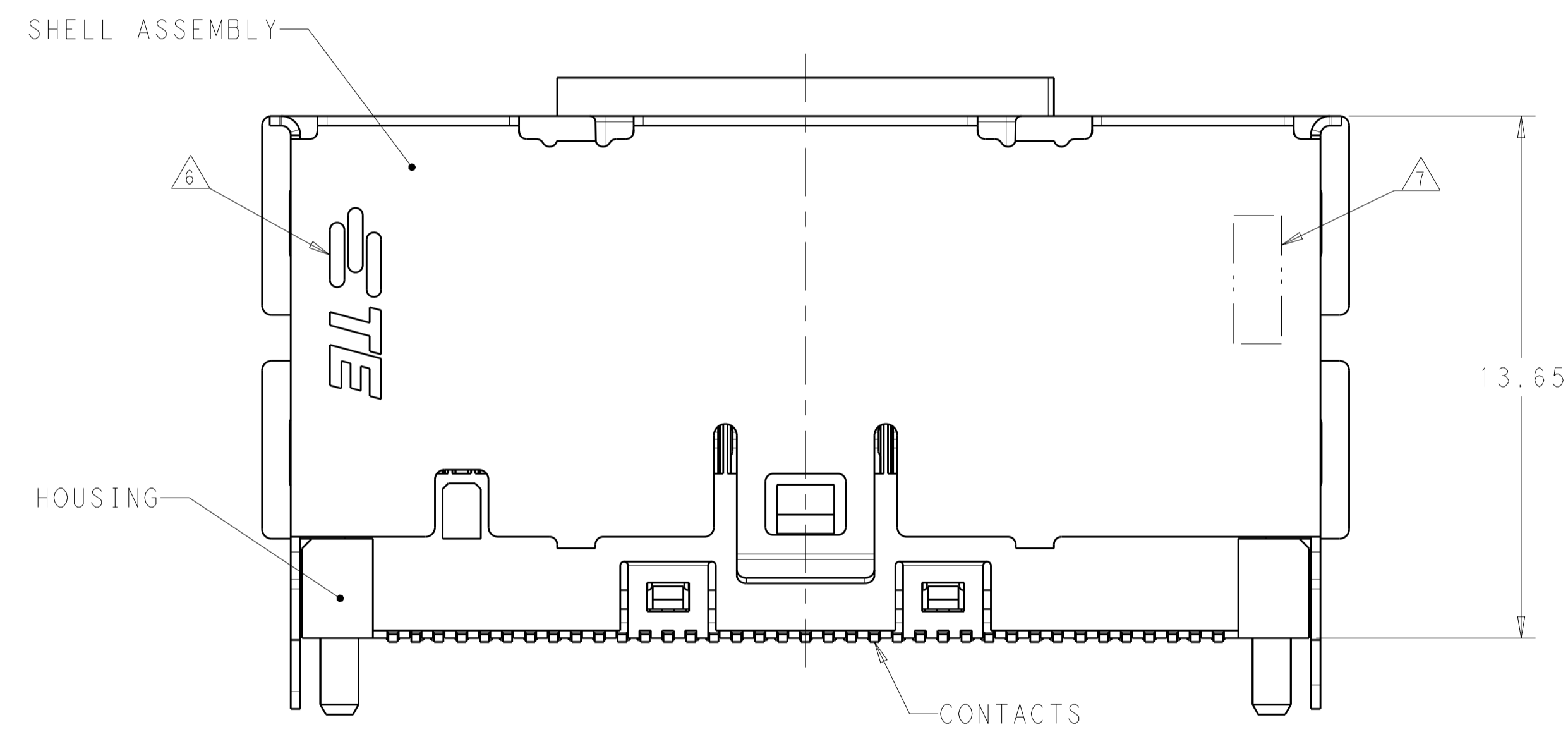


REVISIONS				
P.	LTN	DESCRIPTION	DATE	APVD
A		RELEASED PER ECO-18-014439	12SEP2018	CJV EDB
B		REVISED PER ECO-19-017911	07JAN2020	TX DZ
C		REVISED PER ECO-20-002499	25FEB2020	TX DZ



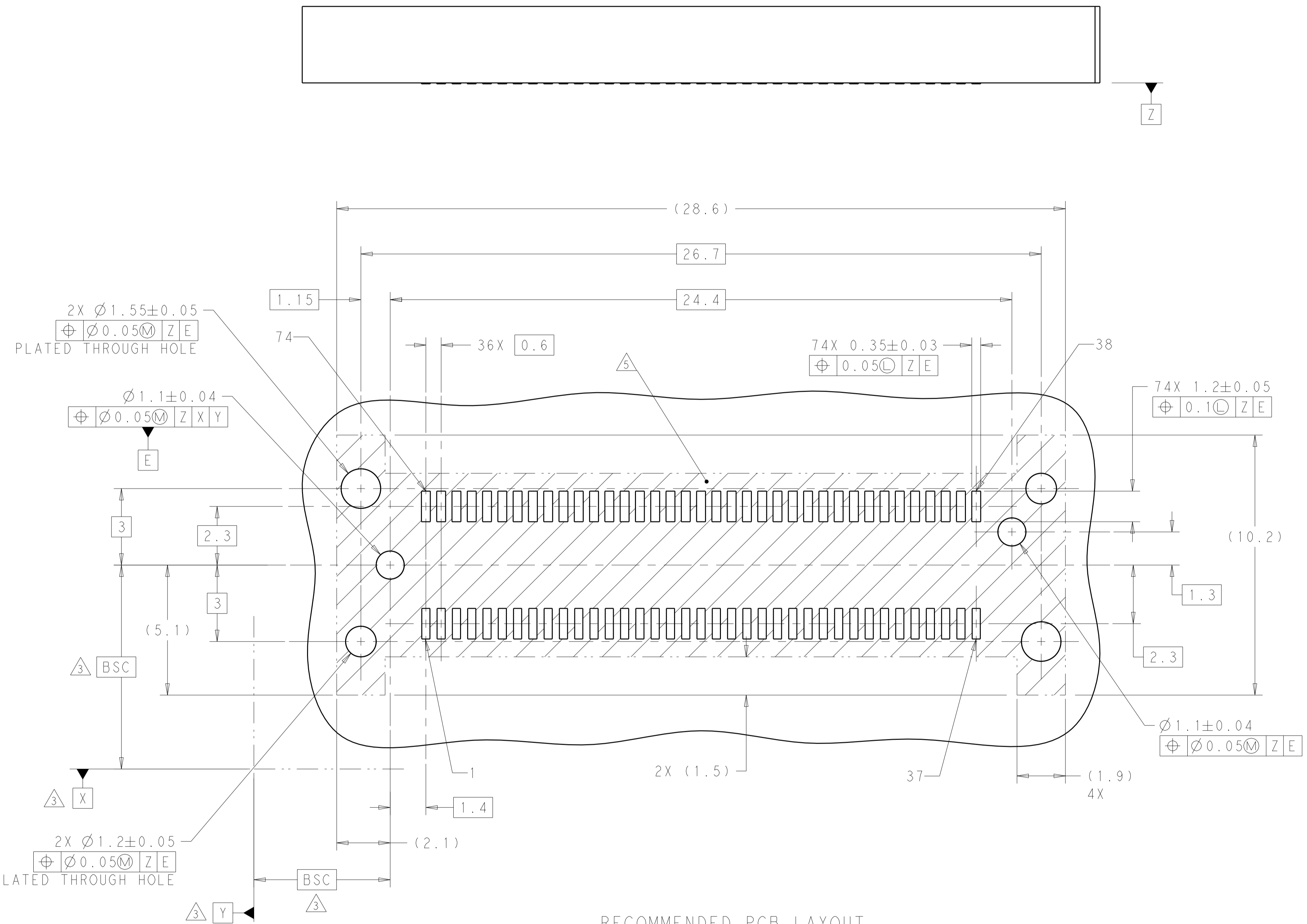
- 1 HOUSING AND CONTACT OVERMOLD: LCP, BLACK.  
CAP: LCP, BLACK.  
CONTACTS: COPPER ALLOY.  
SHELL ASSEMBLY: COPPER ALLOY, NICKEL PLATED.  
TIN PLATED ON HOLD DOWNS.
- 2 GOLD PLATED ON MATING INTERFACE. TIN PLATED ON SOLDER TAILS.
- 3 DATUM AND BASIC DIMENSION ESTABLISHED BY CUSTOMER.
- 4. DESIGNED FOR A 1.42 MIN THICK PC BOARD.
- 5 RECOMMENDED COMPONENT KEEP OUT AREA.
- 6 TE CONNECTIVITY LOGO MARKED IN APPROXIMATE AREA SHOWN.
- 7 PART NUMBER AND DATE CODE MARKED IN APPROXIMATE AREA SHOWN



1.6	1.6	WITH CAP	2324787-4
2.0	2.2	WITH CAP	2324787-3
2.0	1.8	WITHOUT CAP	2324787-2
2.0	1.8	WITH CAP	2324787-1
DIM.B	DIM.A	REMARKS	PART NUMBER

THIS DRAWING IS A CONTROLLED DOCUMENT.		DWN: M.SHIRK 07SEP2017	TE Connectivity NAME: RECEPTACLE CONNECTOR, WITH RAILS, VERTICAL, 74 POSITION, SLIVER
DIMENSIONS: mm		CHK: M.PHILLIPS 07SEP2017	
TOLERANCES UNLESS OTHERWISE SPECIFIED:		APVD: -	PRODUCT SPEC: -
0 PLC ±0.15 1 PLC ±0.15 2 PLC ±0.15 3 PLC ± 4 PLC ± ANGLES ±		APPLICATION SPEC: -	RESTRICTED TO: -
MATERIAL: 1		FINISH: 2	WEIGHT: -
CUSTOMER DRAWING		SCALE: 8:1	SHEET 1 OF 2 REV C

REVISIONS				
P.	LTN.	DESCRIPTION	DATE	APPD.
-	-	SEE SHEET 1	-	-



RECOMMENDED PCB LAYOUT  
 AND KEEP OUT AREA  
 SCALE 10:1

PIN #	DESCRIPTION	PIN #	DESCRIPTION
1	SIGNAL GROUND	74	SIGNAL GROUND
2	SIGNAL	73	SIGNAL
3	SIGNAL	72	SIGNAL
4	SIGNAL GROUND	71	SIGNAL GROUND
5	SIGNAL	70	SIGNAL
6	SIGNAL	69	SIGNAL
7	SIGNAL GROUND	68	SIGNAL GROUND
8	SIGNAL	67	SIGNAL
9	SIGNAL	66	SIGNAL
10	SIGNAL GROUND	65	SIGNAL GROUND
11	SIGNAL	64	SIGNAL
12	SIGNAL	63	SIGNAL
13	SIGNAL GROUND	62	SIGNAL GROUND
14	SIGNAL	61	SIGNAL
15	SIGNAL	60	SIGNAL
16	SIGNAL GROUND	59	SIGNAL GROUND
17	SIGNAL	58	SIGNAL
18	SIGNAL	57	SIGNAL
19	SIGNAL GROUND	56	SIGNAL GROUND
20	SIGNAL	55	SIGNAL
21	SIGNAL	54	SIGNAL
22	SIGNAL GROUND	53	SIGNAL GROUND
23	SIGNAL	52	SIGNAL
24	SIGNAL	51	SIGNAL
25	SIGNAL GROUND	50	SIGNAL GROUND
26	SIGNAL	49	SIGNAL
27	SIGNAL	48	SIGNAL
28	SIGNAL GROUND	47	SIGNAL GROUND
29	SIGNAL	46	SIGNAL
30	SIGNAL	45	SIGNAL
31	SIGNAL GROUND	44	SIGNAL GROUND
32	SIGNAL	43	SIGNAL
33	SIGNAL	42	SIGNAL
34	SIGNAL GROUND	41	SIGNAL GROUND
35	SIGNAL	40	SIGNAL
36	SIGNAL	39	SIGNAL
37	SIGNAL GROUND	38	SIGNAL GROUND

THIS DRAWING IS A CONTROLLED DOCUMENT.		OWN: M. SHIRK 07SEP2017	TE Connectivity NAME: RECEPTACLE CONNECTOR, WITH RAILS, VERTICAL, 74 POSITION, SLIVER
DIMENSIONS: mm		CHK: M. PHILLIPS 07SEP2017	
TOLERANCES UNLESS OTHERWISE SPECIFIED: 0 PLC ±0.15 1 PLC ±0.15 2 PLC ±0.15 3 PLC ± 4 PLC ± ANGLES ± FINISH ±		APVD: -	PRODUCT SPEC: -
MATERIAL: -		WEIGHT: -	APPLICATION SPEC: -
CUSTOMER DRAWING		SCALE: 8:1	RESTRICTED TO: C