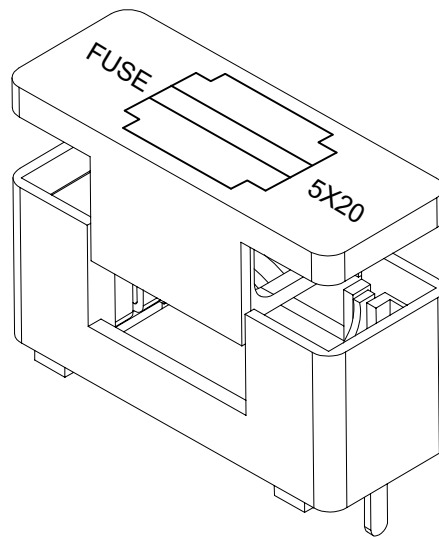
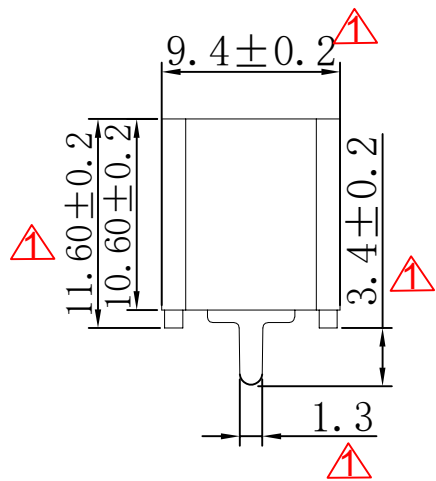
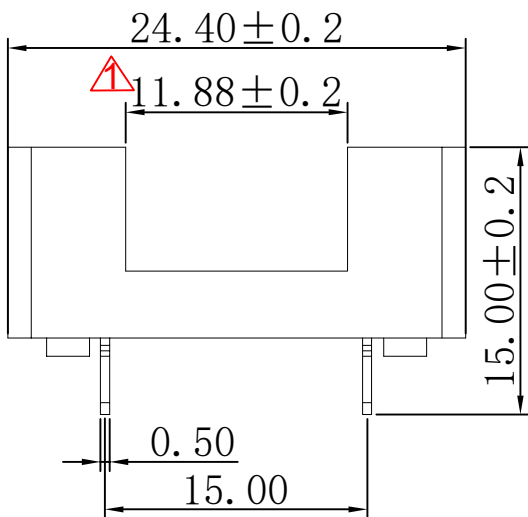
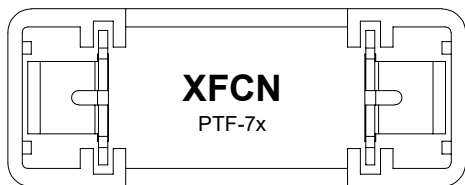
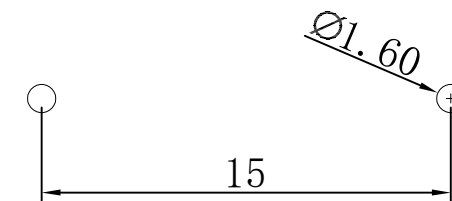


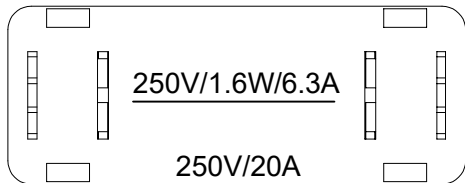
RoHS



3D REFER TO



适用线路板 (PCB LAYOUT)



REV	ECN NO.	DESCRIPTION	DESIGN	APPROVAL	DATE
A1	NEW	更换图框			2024.04.17
A2	▲	旧模老化, 开新模更新尺寸	Chen Hong Jiang	Chen Zhi Qiang	2024.10.31

TECHNICAL CHARACTERISTICS

MATERIAL
 INSULATOR: PA66
 FLAMMABILITY RATING: UL94V0
 COLOR: GREEN
 CONTACT / PLATING: Phosphor bronze / Ni+Sn

ENVIRONMENTAL
 OPERATING TEMPERATURE: -30°C UP TO +120°C
 COMPLIANCE: LEAD FREE AND ROHS

ELECTRICAL	UL	VDE
CURRENT RATING:	20A	6,3A
WORKING VOLTAGE:	250VAC	250VAC
WITHSTANDING VOLTAGE:	1,5KV	1,5KV
RATED POWER ACCEPTANCE:	---	1,6W
PROTECTION CLASS:	I o II	
CONTACT RESISTANCE:	5/10 mΩ MAX	

MECHANICAL
 FUSE-LINK: 5x20 mm
 PROTECTION RATE: IP00
 SHOCKSAFE CATEGORY: PC1

X.±0.50	X.°±	PART NO:		XFCN 兴飞连接器		
.X±0.25	.X°±	PTF-76				
.XX±0.15	.XX°±	TITLE:		0769-82001899		
.XXX±0.10	.XXX°±	UNITS:		www.xfconn.com		
mm		DWG NO:		/		
THESE DRAWINGS AND SPECIFICATIONS ARE THE PROPERTY OF XFCN AND SHALL NOT BE REPRODUCED, COPIED OR CUED IN ANY MANNER WITHOUT THE PRIOR WRITTEN CONSENT OF XFCN		APPD	Chen Zhi Qiang	VIEW		
		CHKD	Liu Wei	SCALE	SHEET	REV
		DRAW	Chen Hong Jiang	NONE	1/1	A2
		DATE	2024.04.25			