



ROHS

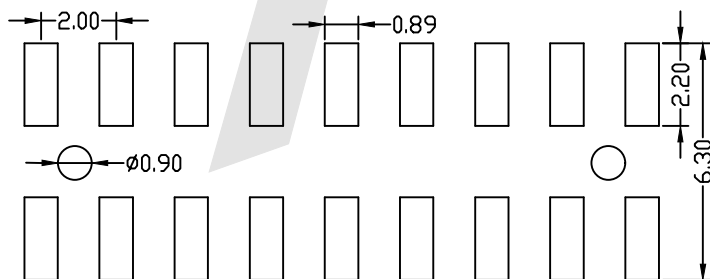
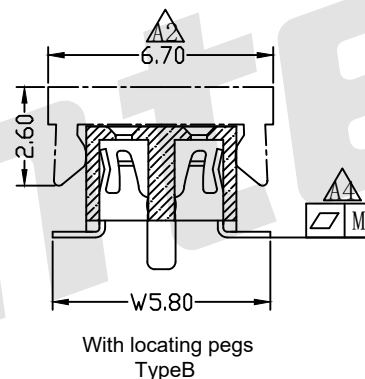
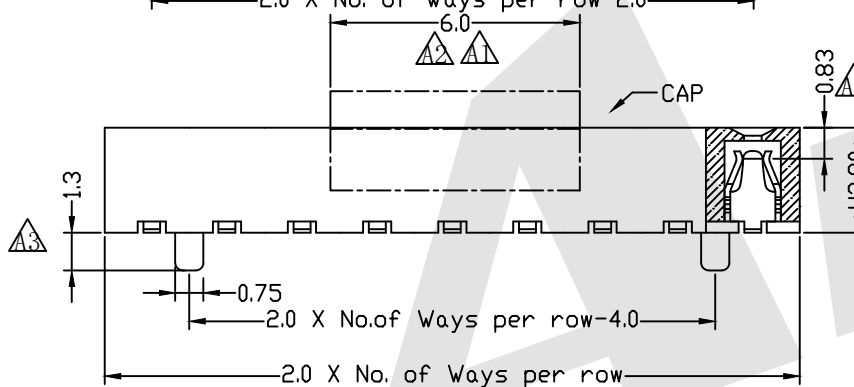
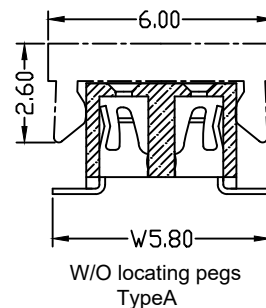
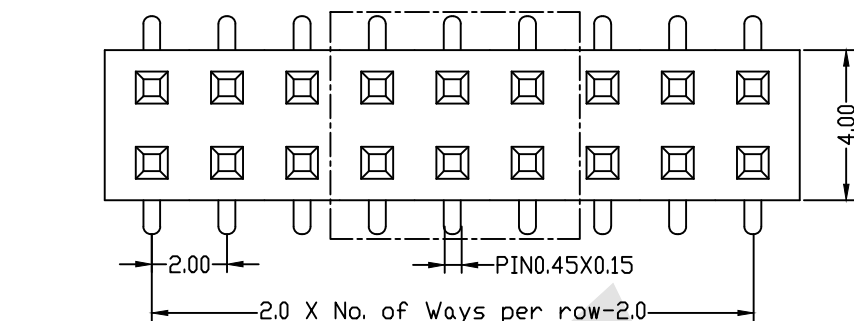
SPECIFICATION

Current Rating: 1.5Amp
 Insulation Resistance: 1000M ohms min
 Contact Resistance: 20M ohms max
 Dielectric Withstanding: AC500V
 Operating Temperature: -65°C to +125°C
 Contact Material: Brass
 Insulator Material: PA6T UL 94V-0 Black

Ordering Code:

FHDM09 - X - X - D - X - X - X - X
 ① ② ③ ④ ⑤ ⑥ ⑦ ⑧

- ① Series No:
- ② No. of Contacts
02 To 80
- ③ Contact Plating:
G0: Gold flash S0: Selective
G1: 3u" Gold S1: Selective 3u"
G2: 5u" Gold S2: Selective 5u"
G3: 10u" Gold S3: Selective 10u"
G4: 15u" Gold S4: Selective 15u"
G5: 30u" Gold S5: Selective 30u"
SN: Tin
- ④ Connector Type
D: Dual
- ⑤ Plastic High:
H: 2.8
Please mark the desired length in the H
- ⑥ Insulator Material
B: PA6T
C: LCP
D: PA46
E: PA9T
- ⑦ Packing
A: Tray
B: Bag
T: Tube
U: Tube+CAP
R: Tape&Reel
W: Tape&Reel+CAP
- ⑧ With locating pegs option
A: Type A without pegs
B: Type B with pegs



PCB LAYOUT

Pin (Per Row)	2-15P	16-25P	26-40P
M	0.10	0.15	0.18

Unless Otherwise specified tolerance
 X. ±0.35 X.XX: ±0.20
 X.X: ±0.25 X.XXX: ±0.15

Antenk ANTENK ELECTRONICS CO., LTD
[Http://www.antenk.com](http://www.antenk.com)
 E-mail: sales@antenk.com

REV	DESCRIPTION	DATE
△△	Increase the flatness and Mating dimension	01/30/2026
△△	Change 1.0 to 1.3	09/18/2023
△△	Update Cap	08/15/2023
△△	Update Cap	01/05/2016

SCALE:	UNIT:
As Shown	mm
DRAW Yin Han	DATE 01/30/2026
CHECK BobYang	DATE 01/30/2026

TITLE:	2.00mm Female Header Dual Row SMT Type
DRAWING NO:	FHDM09-XXDXXXX
PRODUCT NO:	FHDM09-XXDXXXX

