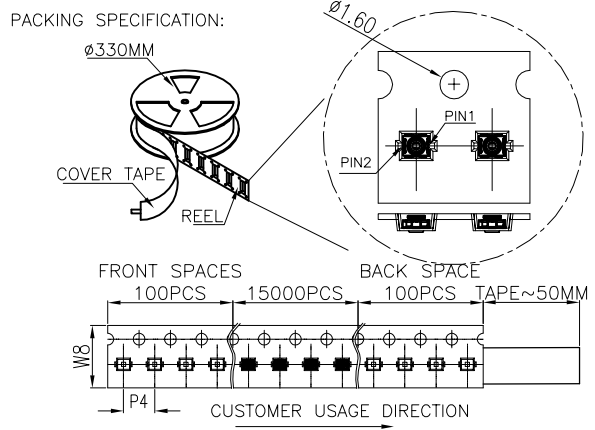
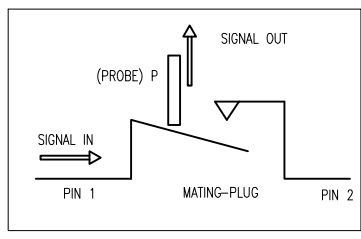
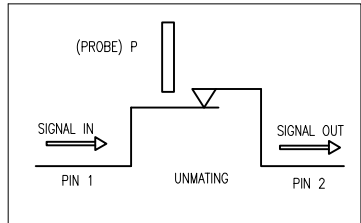
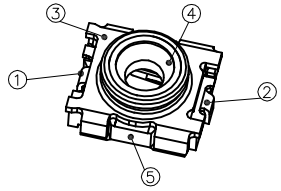
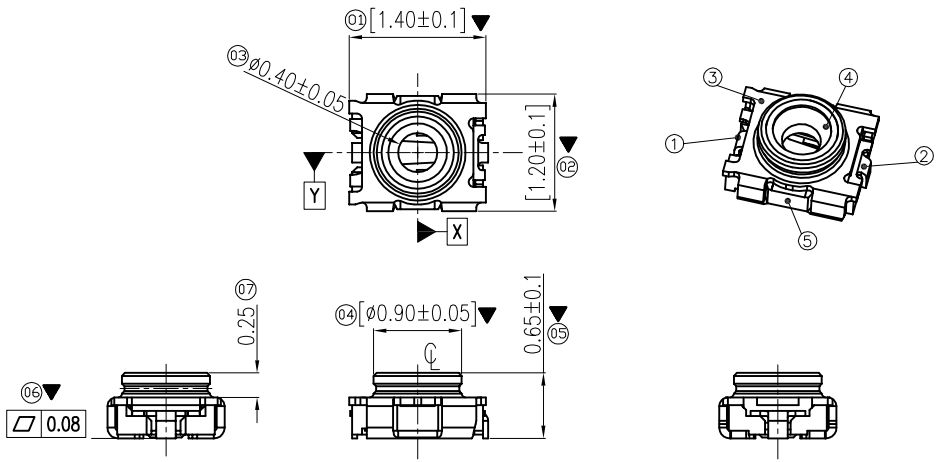
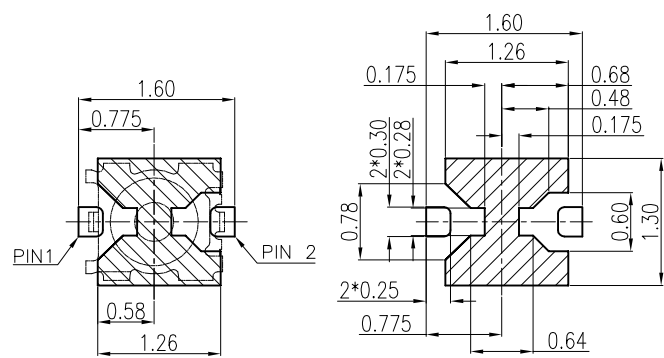
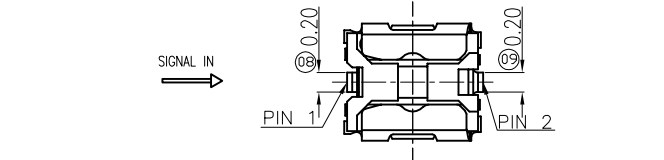


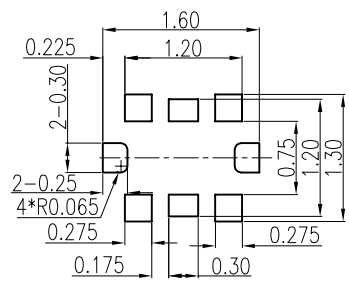
Rev.	ECN Number	Description	Date	Drawn	Checkd	Approved
A	ECN211234	NEW RELEASE	11/23'21	Bieyuran	Martin	Ken



- NOTES:
- POWER HANDLING 2W
 - FREQUENCY RANGE 0~11GHz
 - IMPEDANCE 50Ω
 - OPERATING TEMPERATURE -40℃~+85℃
 - VOLTAGE STANDING WAVE RATIO (VSWR)
 - 1.2 MAX. (DC~3GHz)
 - 1.3 MAX. (3~6GHz)
 - 1.5 MAX. (6~11GHz)
 - INSERTION LOSS
 - 0.1DBMAX. (DC~3GHz)
 - 0.2DBMAX. (3~6GHz)
 - 0.4DBMAX. (6~11GHz)
 - ISOLATION
 - 20 DBMIN. (DC~3GHz)
 - 15 DBMIN. (3~6GHz)
 - 10 DBMIN. (6~11GHz)
 - DURABILITY 30 CYCLES
 - PACKING TAPE & REEL: 15000PCS/REEL (Φ330MM)
 - IR REFLOW CYCLE: 2CYCLES

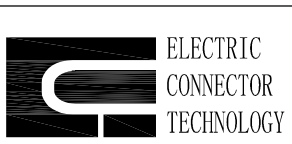


RECOMMENDED PCB LAYOUT TOLERANCE ±0.03MM



RECOMMEND METAL MASK (THICKNESS:0.08MM) THE DINEASIONAL TOLERANCE TO BE ±0.03

818025366	⑤	1	DOWN HOUSING	LCP UL94V-0/BLACK
	④	1	TOP HOUSING	LCP UL94V-0/BLACK
	③	1	SHELL	COPPER ALLOY/AU:3U" MIN; NI:50U" MIN.
	②	1	PIN 2	STAINLESS STEEL/AU:2U" MIN;NI:50U" MIN
	①	1	PIN 1	STAINLESS STEEL/AU:5U" MIN;NI:50U" MIN
ITEM	Q' TY	DESCRIPTION		MATERIAL/FINISH
PROD. NO.				



GENERAL TOLERANCE	
XX. ±0.50	
X. ±0.35	X° ±2.0°
.X ±0.25	.X° ±1.0°
.XX ±0.15	.XX° ±0.5°

SCALE: 1:1

UNIT: mm

SIZE: A4

DRAWN Bieyuran

CHECK

APPROVE

DATE 11/23'21

DATE

DATE

DWG. NO. 600-25366-01

PARTS NO.(INTENDED USE) 818025366

TITLE CUSTOMER DRAWING

MINI RF VI CONN.,TWO TOUCH

L1.4*W1.2*H0.65mm,

REV. A

SHEET 1/1