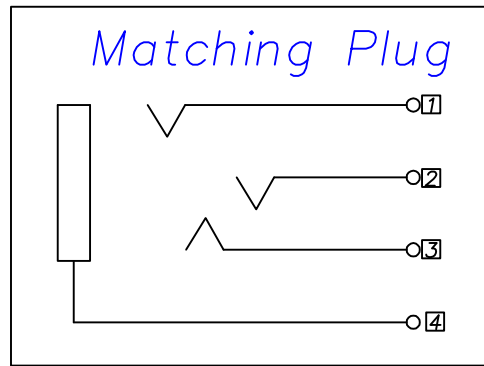
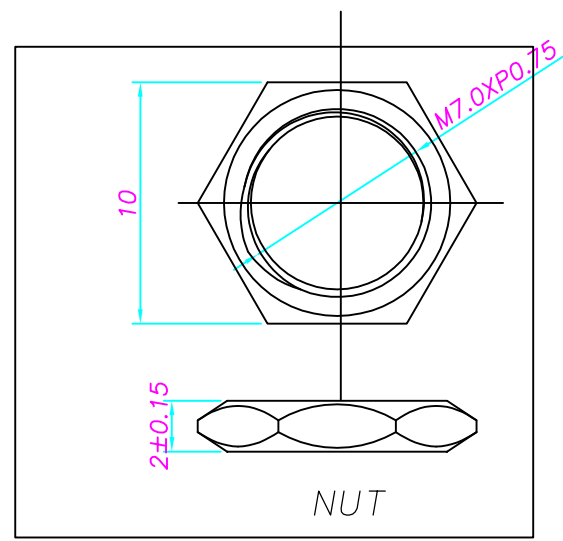
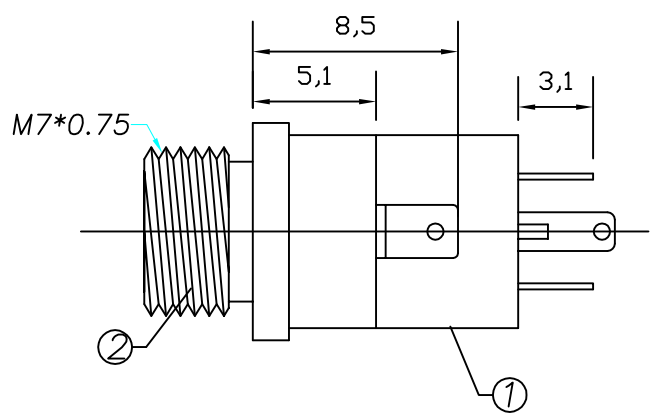
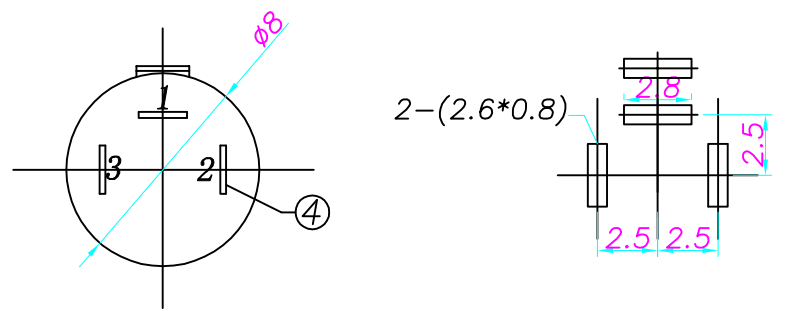
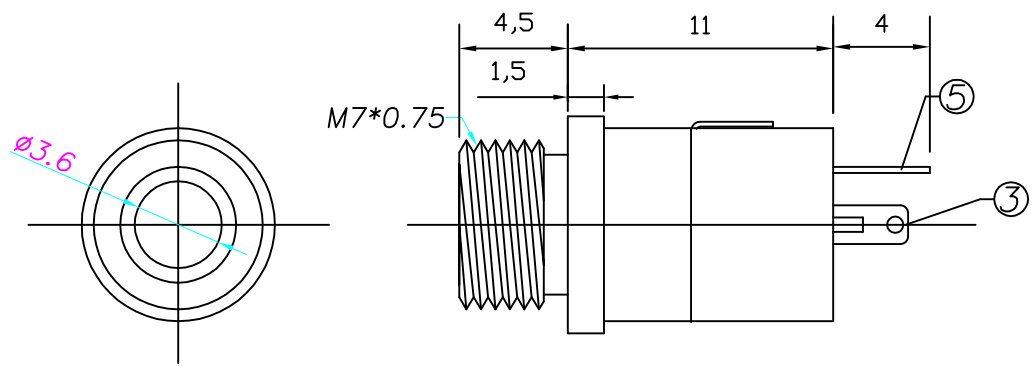


REV.	LTR.	DESCRIPTION	SIGN	DATE



SPECIFICATION
 1. Rating : DC 30V 0.5A;
 2. Contact resistance: $\leq 30\text{m}\Omega$;
 3. Insulation resistance: $\geq 100\text{M}\Omega$ (DC250V);
 4. Withstand voltage: 500VAC ;
 5. Insertion and extraction force: 3-30N;
 6. life test: 5,000 cycles.

⑤	Earth terminal	1	Phosphor bronze	镀银			
④	Tip spring	1	Phosphor bronze	镀银			
③	Ring spring	1	Brass	镀银			
②	Bushing	1	Brass	镀铜锡			
①	Housing	1	PBT				
NO.	DESCRIPTION	QTY	MATERIAL	PLATING			
UNIT: MM	TYPE:	MODEL NO:	PAPER NO: A4	PAGE 1 OF 1			
		PHONE JACK	PJ-392C-4P-S	TOLERANCE	ANGLES	SCALE	VER
				±0.2	±2°	FULL	1

DESIGNER BY:
 CHECK BY:
 APPROVED BY:

浙江创都电子科技有限公司