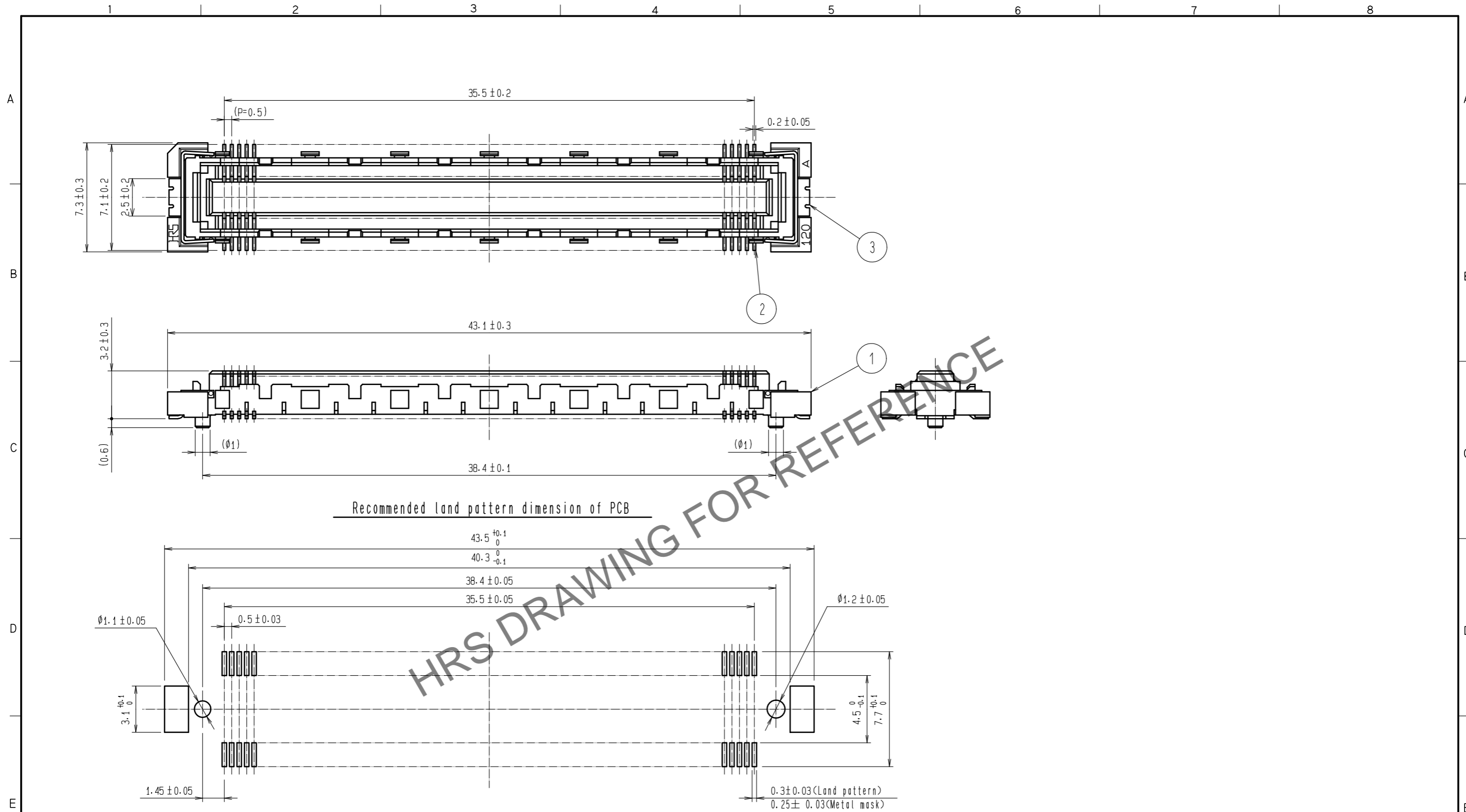


Apr.1.2026 Copyright 2026 HIROSE ELECTRIC CO., LTD. All Rights Reserved.
 In case of consideration for using Automotive equipment / device which demand high reliability, kindly contact our sales window correspondents.

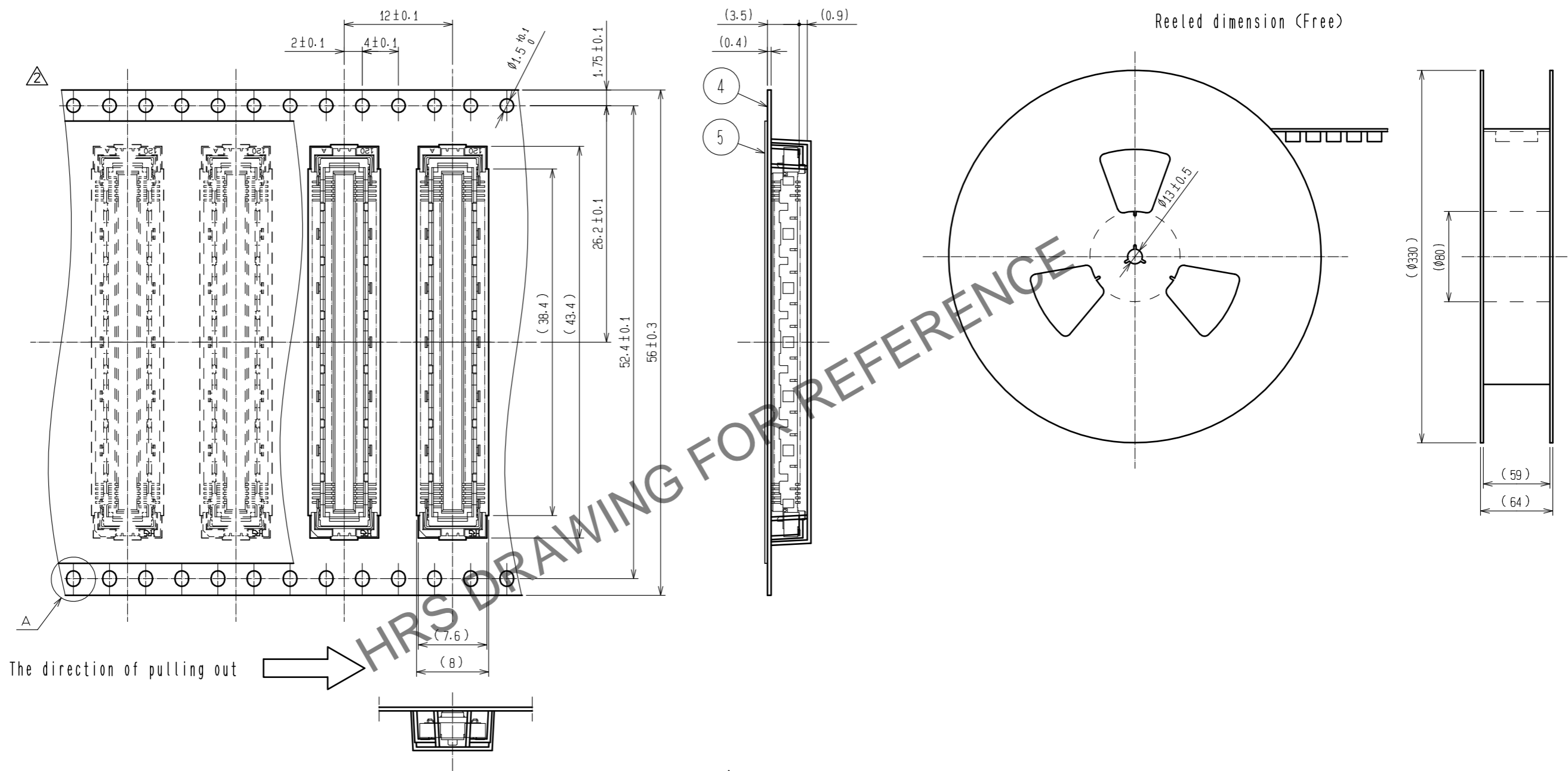


- Notes
- SMT lead co-planarity: 0.1 max.
 - This product has no polarity to pattern for mounting.
 - Emboss carrier tape package is applied on this product. Please refer to the sheet 2/2 for the details.

2	Phosphor blonze	Contact area : Gold 0.1 μ m min Lead : Gold 0.05 μ m min Under plating : Nickel 1 μ m min	5	Polyester	(Top cover tape)		
1	LCP	Beige UL94V-0	4	Polyethylene	(Emboss carrier tape)		
			3	Phosphor blonze	Tin - plating		
NO.	MATERIAL	FINISH . REMARKS	NO.	MATERIAL	FINISH . REMARKS		
UNITS mm		SCALE 4 : 1	COUNT 1	DESCRIPTION OF REVISIONS DIS-F-00011032	DESIGNED MT. ITANO	CHECKED HT. YAMAGUCHI	DATE 20211007
HRS HIROSE ELECTRIC CO., LTD.		APPROVED : KJ. KATAYOSE	20050105	DRAWING NO. EDC3-151986-01			
		CHECKED : HS. OKAWA	20050105	PART NO. FX10A-144S-SV(21)			
		DESIGNED : KT. DOI	20050105	CODE NO. CL0570-0243-4-21			
		DRAWN : KT. DOI	20050105				

Apr.1.2026 Copyright 2026 HIROSE ELECTRIC CO., LTD. All Rights Reserved.
 In case of consideration for using Automotive equipment / device which demand high reliability, kindly contact our sales window correspondents.

Drawing for packing (2:1)



- Notes
- 4 1 reel : 1,000 connectors.
 - 5 Minimum 10 compartments from both reel ends remain empty.
 - 6 This product has no polarity to tape and reel packaging.
 - 7 The dimensions in parentheses are for reference.

HRS	DRAWING NO.	EDC3-151986-01
	PART NO.	FX10A-144S-SV(21)
	CODE NO.	CL0570-0243-4-21

2/2