

### Features

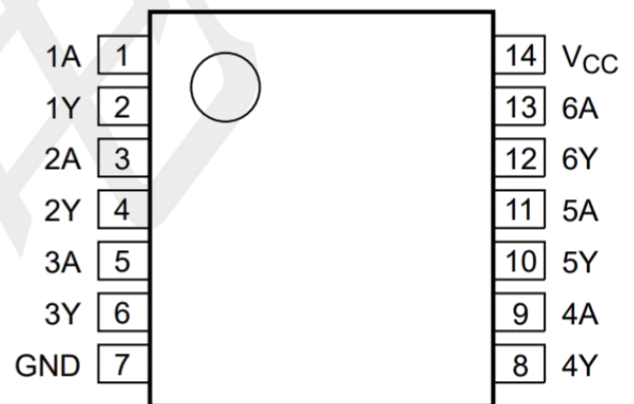
- Wide supply voltage range from 2 V to 5.5 V
- CMOS low power dissipation
- Overvoltage tolerant inputs to 5.5 V
- Latch-up performance exceeds 250 mA
- Direct interface with TTL levels
- ESD protection:  
HBM ANSI/ESDA/JEDEC JS-00  
Class 3A exceeds 6000 V  
CDM ANSI/ESDA/JEDEC JS-002  
Class C3 exceeds 2000 V
- I<sub>OFF</sub> circuitry provides partial Power-down mode operation
- Complies with JEDEC standard:  
JESD8-5 (2.3 V to 2.7 V)  
JESD8C (2.7 V to 3.6 V)  
JESD36 (4.5 V to 5.5 V)
- Packaging: TSSOP-14

### General Description

The is a hex inverter. Inputs can be driven from either 3.3 V or 5 V devices. This feature allows the use of these devices as translators in mixed 3.3 V and 5 V environments.

Schmitt-trigger action at all inputs makes the circuit tolerant of slower input rise and fall times. This device is fully specified for partial power down applications using I<sub>OFF</sub>. The I<sub>OFF</sub> circuitry disables the output, preventing the potentially damaging backflow current through the device when it is powered down.

### PIN CONFIGURATIONS (Top view)



TSSOP-14

### PIN DESCRIPTION

PIN NO.	PIN NAME	DESCRIPTION	PIN NO.	PIN NAME	DESCRIPTION
1	1A	Data input	8	4Y	Data output
2	1Y	Data output	9	4A	Data input
3	2A	Data input	10	5Y	Data output
4	2Y	Data output	11	5A	Data input
5	3A	Data input	12	6Y	Data output
6	3Y	Data output	13	6A	Data input
7	GND	ground (0 V)	14	V <sub>CC</sub>	supply voltage

## Functional diagram

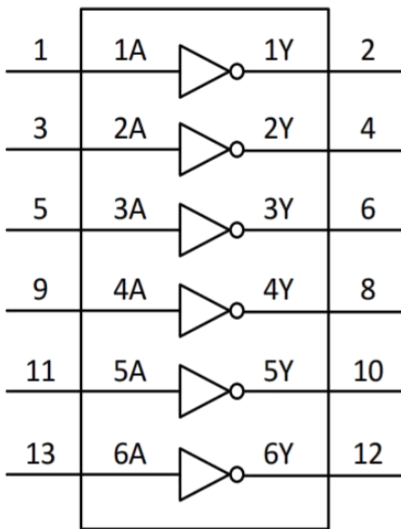


Fig. 1. Logic symbol

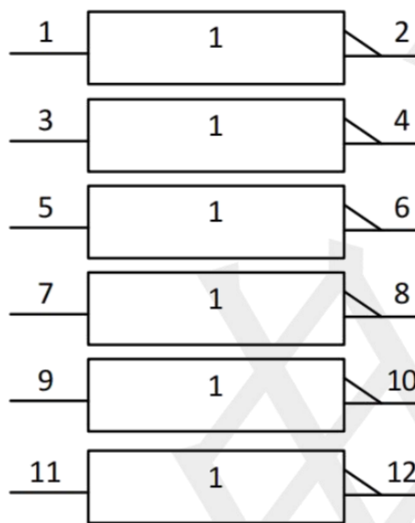


Fig. 2. IEC logic symbol



Fig. 3. Logic diagram (one gate)

## Functional Description

### Function table

Input nA	Output nY
L	H
H	L

H = HIGH voltage level; L = LOW voltage level

### ABSOLUTE MAXIMUM RATINGS

In accordance with the Absolute Maximum Rating System. Voltages are referenced to GND.

Symbol	Parameter	Conditions	Min	Max	Unit
V <sub>CC</sub>	supply voltage		-0.5	7.0	V
I <sub>IK</sub>	input clamping current	V <sub>I</sub> < 0 V	-50	--	mA
V <sub>I</sub>	input voltage	(1)	-0.5	7.0	V
I <sub>OK</sub>	output clamping current	V <sub>O</sub> > V <sub>CC</sub> or V <sub>O</sub> < 0 V	--	±50	mA
V <sub>O</sub>	output voltage	Active mode (1)	0	V <sub>CC</sub> + 0.5	V
		Power-down mode; V <sub>CC</sub> = 0 V (1)	0	7.0	V
I <sub>O</sub>	output current	V <sub>O</sub> = 0 V to V <sub>CC</sub>	--	±50	mA
I <sub>CC</sub>	supply current		--	100	mA
I <sub>GND</sub>	ground current		-100	--	mA
P <sub>tot</sub>	total power dissipation	T <sub>amb</sub> = -40 °C to + 125 °C	--	500	mW
T <sub>stg</sub>	storage temperature		-65	150	°C

**Note:** 1. The input and output voltage ratings may be exceeded if the input and output current ratings are observed.

### Recommended operating conditions

Symbol	Parameter	Conditions	Min	Max	Unit
V <sub>CC</sub>	supply voltage		2	5.5	V
		functional	1.5	--	V
V <sub>I</sub>	input voltage		0	5.5	V
V <sub>O</sub>	output voltage	Active mode	0	V <sub>CC</sub>	V
		Power-down mode; V <sub>CC</sub> = 0 V	0	5.5	V
T <sub>amb</sub>	ambient temperature		-40	125	°C
Δt/ΔV	input transition rise and fall rate	V <sub>CC</sub> = 1.65 V to 2.7 V	0	20	ns/V
		V <sub>CC</sub> = 2.7 V to 5.5 V	0	10	ns/V

### Static characteristics

(Voltages are referenced to GND (ground=0V), unless otherwise specified.)

Symbol	Parameter	Conditions	-40 °C to +85 °C			-40 °C to +125 °C		Unit
			Min	Typ	Max	Min	Max	
V <sub>IH</sub>	HIGH-level input voltage	V <sub>CC</sub> = 2 V	0.65V <sub>CC</sub>	--	--	0.65V <sub>CC</sub>	--	V
		V <sub>CC</sub> = 2.3 V to 2.7 V	1.7	--	--	1.7	--	V
		V <sub>CC</sub> = 2.7 V to 3.6 V	2.0	--	--	2.0	--	V
		V <sub>CC</sub> = 4.5 V to 5.5 V	0.7V <sub>CC</sub>	--	--	0.7V <sub>CC</sub>	--	V
V <sub>IL</sub>	LOW-level input voltage	V <sub>CC</sub> = 2V	--	--	0.35V <sub>CC</sub>	--	0.35V <sub>CC</sub>	V
		V <sub>CC</sub> = 2.3 V to 2.7 V	--	--	0.7	--	0.7	V
		V <sub>CC</sub> = 2.7 V to 3.6 V	--	--	0.8	--	0.8	V
		V <sub>CC</sub> = 4.5 V to 5.5 V	--	--	0.3V <sub>CC</sub>	--	0.3V <sub>CC</sub>	V
V <sub>OH</sub>	HIGH-level output voltage	V <sub>I</sub> = V <sub>IH</sub> or V <sub>IL</sub>						
		I <sub>O</sub> = -100 μA; V <sub>CC</sub> = 2 V to 5.5 V	V <sub>CC</sub> - 0.1	--	--	V <sub>CC</sub> - 0.1	--	V
		I <sub>O</sub> = -4 mA; V <sub>CC</sub> = 2.0 V	1.5	--	--	1.25	--	V
		I <sub>O</sub> = -8 mA; V <sub>CC</sub> = 2.3 V	1.9	--	--	1.7	--	V
		I <sub>O</sub> = -12 mA; V <sub>CC</sub> = 2.7 V	2.2	--	--	2.05	--	V
		I <sub>O</sub> = -24 mA; V <sub>CC</sub> = 3.0 V	2.4	--	--	2.25	--	V
		I <sub>O</sub> = -32 mA; V <sub>CC</sub> = 4.5 V	3.8	--	--	3.5	--	V
V <sub>OL</sub>	LOW-level output voltage	V <sub>I</sub> = V <sub>IH</sub> or V <sub>IL</sub>						
		I <sub>O</sub> = 100 μA; V <sub>CC</sub> = 2 V to 5.5 V	--	--	0.10	--	0.10	V
		I <sub>O</sub> = 4 mA; V <sub>CC</sub> = 2.0 V	--	--	0.45	--	0.65	V
		I <sub>O</sub> = 8 mA; V <sub>CC</sub> = 2.3 V	--	--	0.30	--	0.45	V
		I <sub>O</sub> = 12 mA; V <sub>CC</sub> = 2.7 V	--	--	0.40	--	0.60	V
		I <sub>O</sub> = 24 mA; V <sub>CC</sub> = 3.0 V	--	--	0.55	--	0.80	V
		I <sub>O</sub> = 32 mA; V <sub>CC</sub> = 4.5 V	--	--	0.55	--	0.80	V
I <sub>I</sub>	input leakage current	V <sub>I</sub> = 5.5 V or GND ; V <sub>CC</sub> = 0 V to 5.5 V	--	±0.1	±5	--	±20	μA

### Static characteristics

(Voltages are referenced to GND (ground=0V), unless otherwise specified.)

Symbol	Parameter	Conditions	-40 °C to +85 °C			-40 °C to +125 °C		Unit
			Min	Typ	Max	Min	Max	
$I_{OFF}$	power-off leakage current	$V_{CC} = 0\text{ V};$ $V_I$ or $V_O = 5.5\text{ V}$	--	$\pm 0.1$	$\pm 10$	--	$\pm 20$	$\mu\text{A}$
$I_{CC}$	supply current	$V_{CC} = 2\text{ V to } 5.5\text{ V};$ $V_I = V_{CC}$ or GND ; $I_O = 0\text{ A};$	--	0.01	10	--	40	$\mu\text{A}$
$\Delta I_{CC}$	additional supply current	per input pin ; $V_{CC} = 2.3\text{ V to } 5.5\text{ V};$ $V_I = V_{CC} - 0.6\text{ V}; I_O = 0\text{ A}$	--	0.2	500	--	5000	$\mu\text{A}$
$C_i$	input capacitance	$V_{CC} = 3.3\text{ V};$ $V_I = \text{GND to } V_{CC}$	--	4	--	--	--	pF

Note: All typical values are measured at  $V_{CC} = 3.3\text{ V}$  and  $T_{amb} = 25\text{ }^\circ\text{C}$ .

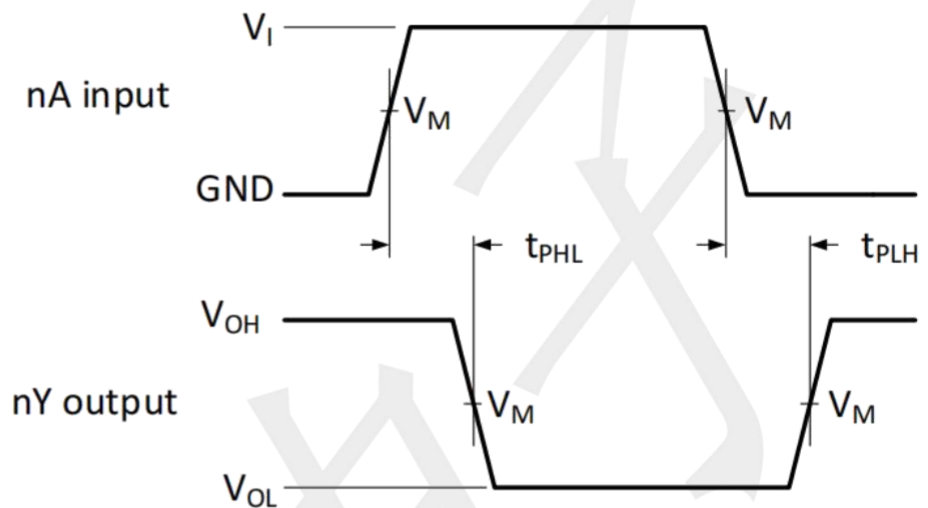
### Dynamic Characteristics

Voltages are referenced to GND (ground = 0 V); for test circuit see

Symbol	Parameter	Conditions	-40 °C to +85 °C			-40 °C to +125 °C		Unit
			Min	Typ	Max	Min	Max	
$t_{pd}$	propagation delay	nA to nY;						
		$V_{CC} = 2.0\text{ V}$	3.5	8.5	16.5	3.5	17	ns
		$V_{CC} = 2.3\text{ V to } 2.7\text{ V}$	2.0	4.8	8.0	2.0	9.0	ns
		$V_{CC} = 3.0\text{ V to } 3.6\text{ V}$	1.5	3.5	5.5	1.5	6.0	ns
		$V_{CC} = 4.5\text{ V to } 5.5\text{ V}$	1.0	2.9	4.5	1.0	5.0	ns
$t_{sk(o)}$	output skew time	$V_{CC} = 3.0\text{ V to } 3.6\text{ V}$	--	--	1.0	--	1.5	ns
$C_{PD}$	power dissipation capacitance	per gate ; $V_I = \text{GND to } V_{CC}$						
		$V_{CC} = 2.0\text{ V}$	--	12.7	--	--	--	pF
		$V_{CC} = 2.3\text{ V to } 2.7\text{ V}$	--	13.4	--	--	--	pF
		$V_{CC} = 3.0\text{ V to } 3.6\text{ V}$	--	14.3	--	--	--	pF
		$V_{CC} = 4.5\text{ V to } 5.5\text{ V}$	--	16.2	--	--	--	pF

Note: Typical values are measured at  $T_{amb} = 25\text{ }^\circ\text{C}$  and  $V_{CC} = 2.0\text{ V}, 2.5\text{ V}, 3.3\text{ V}$  and  $5.0\text{ V}$  respectively.

### Waveforms and test circuit



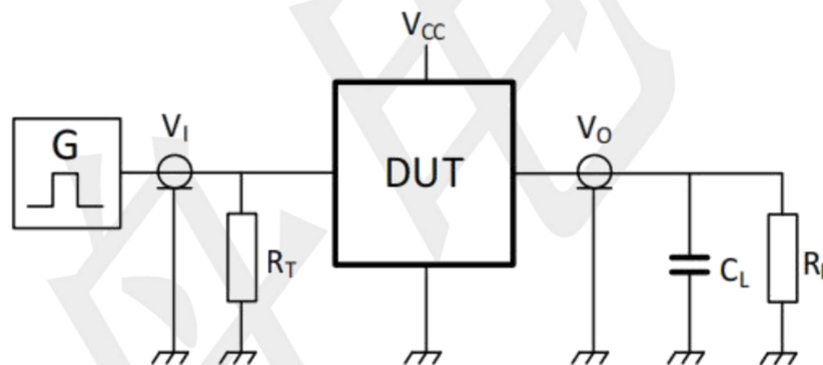
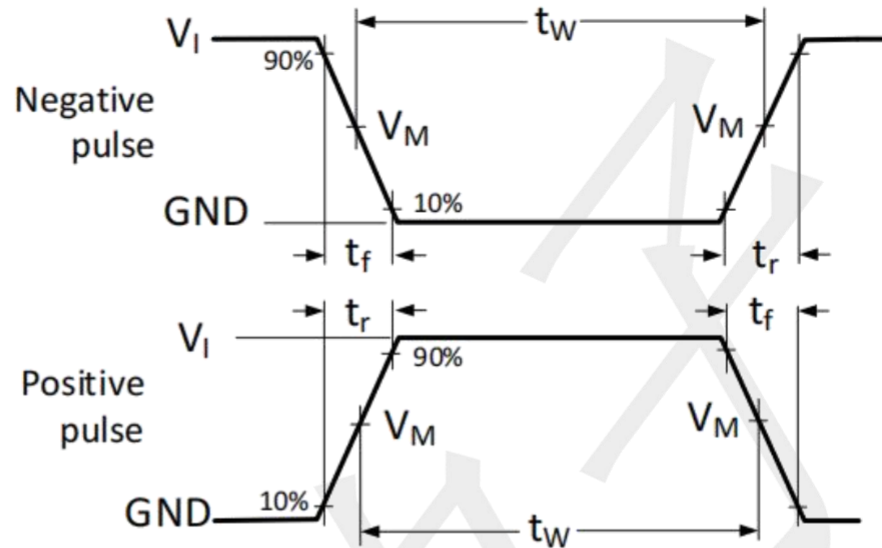
Measurement points are given in Table 8.

$V_{OL}$  and  $V_{OH}$  are typical output voltage levels that occur with the output load.

The input nA to output nY propagation delays

### Measurement points

Supply voltage	Input	Output
$V_{CC}$	$V_M$	$V_M$
2.0 V	$0.5V_{CC}$	$0.5V_{CC}$
2.3 V to 2.7 V	$0.5V_{CC}$	$0.5V_{CC}$
3.0 V to 3.6 V	1.5 V	1.5 V
4.5 V to 5.5 V	$0.5V_{CC}$	$0.5V_{CC}$



Test data is given in Table 9.

Definitions for test circuit:

$R_L$  = Load resistance.

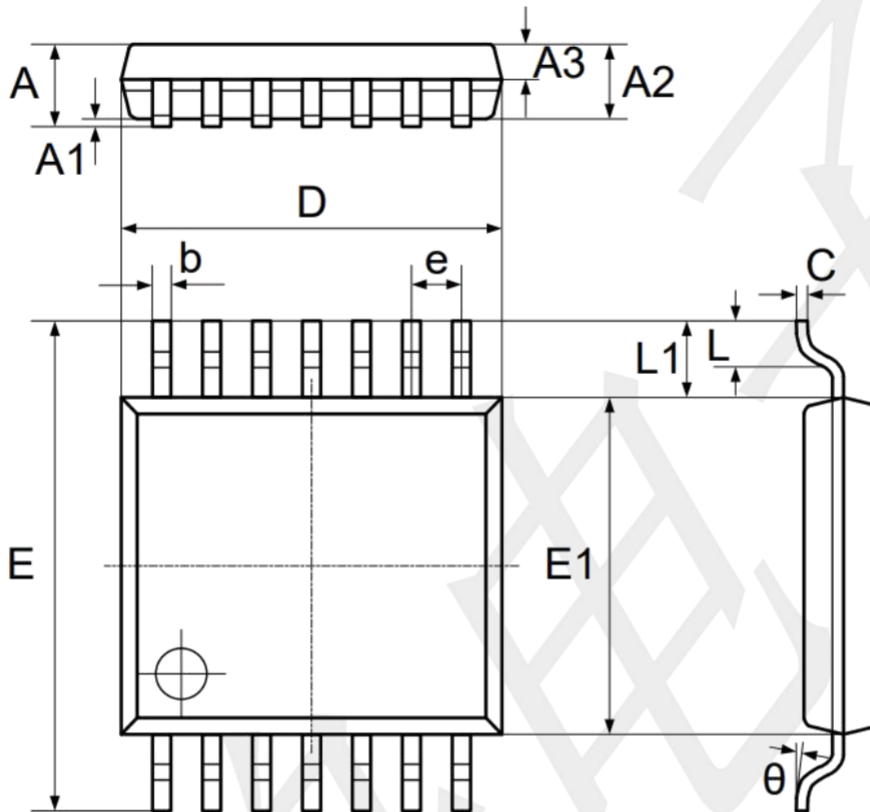
$C_L$  = Load capacitance including jig and probe capacitance.

$R_T$  = Termination resistance should be equal to the output impedance  $Z_o$  of the pulse generator.

### Test data

Supply voltage	Input		Load	
	$V_I$	$t_r = t_f$	$C_L$	$R_L$
$V_{CC}$	$V_{CC}$	$\leq 2.0$ ns	15 pF	500 $\Omega$
2.0 V	$V_{CC}$	$\leq 2.0$ ns	15 pF	500 $\Omega$
2.3 V to 2.7 V	$V_{CC}$	$\leq 2.0$ ns	15 pF	500 $\Omega$
3.0 V to 3.6 V	3 V	$\leq 2.0$ ns	15 pF	500 $\Omega$
4.5 V to 5.5 V	$V_{CC}$	$\leq 2.0$ ns	15 pF	500 $\Omega$

Package information TSSOP-14



Symbol	Dimensions In Millimeters		Dimensions In Inches	
	Min	Max	Min	Max
A	-	1.200	-	0.047
A1	0.050	0.150	0.002	0.006
A2	0.900	1.050	0.035	0.041
A3	0.390	0.490	0.015	0.019
b	0.200	0.290	0.008	0.011
C	0.130	0.180	0.005	0.007
D	4.860	5.060	0.191	0.199
E	6.200	6.600	0.244	0.260
E1	4.300	4.500	0.169	0.177
e	0.650 TYP.		0.026 TYP.	
L1	1.000 REF.		0.039 REF.	
L	0.450	0.750	0.018	0.030
θ	0°	8°	0°	8°