

HSF



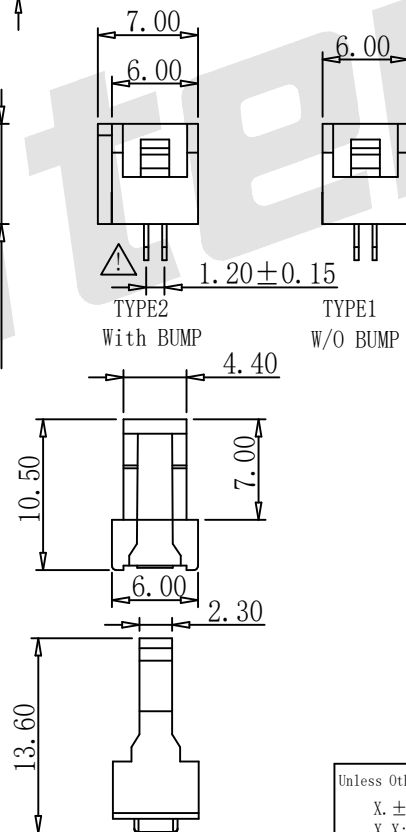
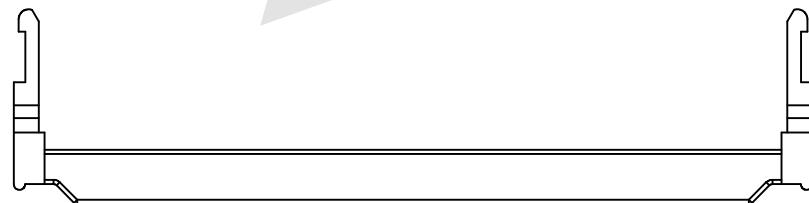
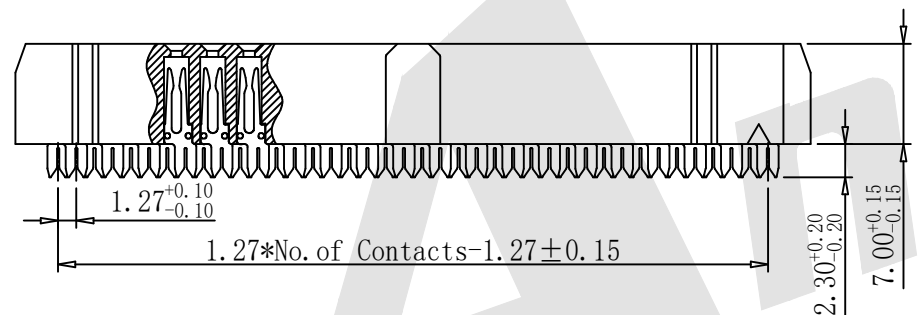
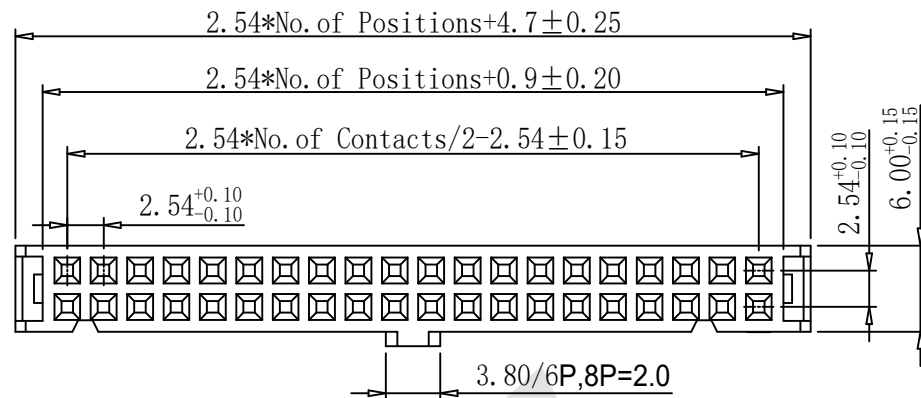
SPECIFICATION

Current Rating:	1.0Amp
Insulation Resistance:	1000MΩ min
Contact Resistance:	20MΩ max
Withstand Voltage:	500V AC/DC
Operating Temperature:	-40° C to +105° C
Contact Material:	Phosphor Bronze
Contact Plating:	Au Over Ni
Insulator Material:	PBT+30%GF UL 94V-0

Ordering Code:

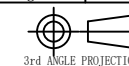
FCDS01 - X - X - X - X - X - X
 ① ② ③ ④ ⑤ ⑥ ⑦

- ① Series No:
- ② No. of Contacts
 06P 08P 10P
 12P 14P 16P
 18P 20P 22P
 24P 26P 30P
 34P 36P 40P
 44P 50P 60P
 64P
- ③ Contact Plating
 G0: Gold flash S0: Gold flash/Ni
 G1: 3u" Gold S1: 3u" Gold/Ni
 G2: 5u" Gold S2: 5u" Gold/Ni
 G3: 10u" Gold S3: 10u" Gold/Ni
 G4: 15u" Gold S4: 15u" Gold/Ni
 G5: 30u" Gold S5: 30u" Gold/Ni
 SN: Tin
- ④ Color Insulator
 B:Black
 G:Grey
- ⑤ Packing
 A:Tray
 B:Bag
 C:Tube
 D:Tape Reel
- ⑥ With Strain relief or not
 A: With strain relief
 B: without strain relief
- ⑦ Option:
 A: TYPE1 W/O BUMP
 B: TYPE2 With BUMP



Unless Otherwise specified tolerance
 X. ±0.35 X.XX: ±0.20
 X.X: ±0.25 X.XXX: ±0.15

SCALE: As Shown UNIT: mm
 DRAW YIN CHAO DATE 2026/4/3
 CHECK BobYang DATE 2026/4/3



Antenk ANTENK ELECTRONICS CO., LTD
 Http://www.antenk.com
 E-mail:sales@antenk.com

TITLE:
 2.54mm IDC Socket + SR Both Side Contact

DRAWING NO: FCDS01-20S0BAAB-A
 PRODUCT NO: FCDS01-20S0BAAB-A

REV	Update 4.0mm To 1.20mm	DESCRIPTION	DATE
1			05/14/2021