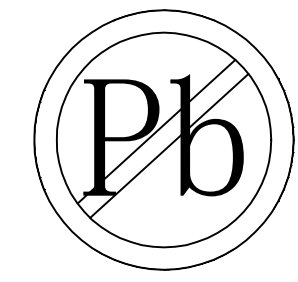


HSF



RoHS

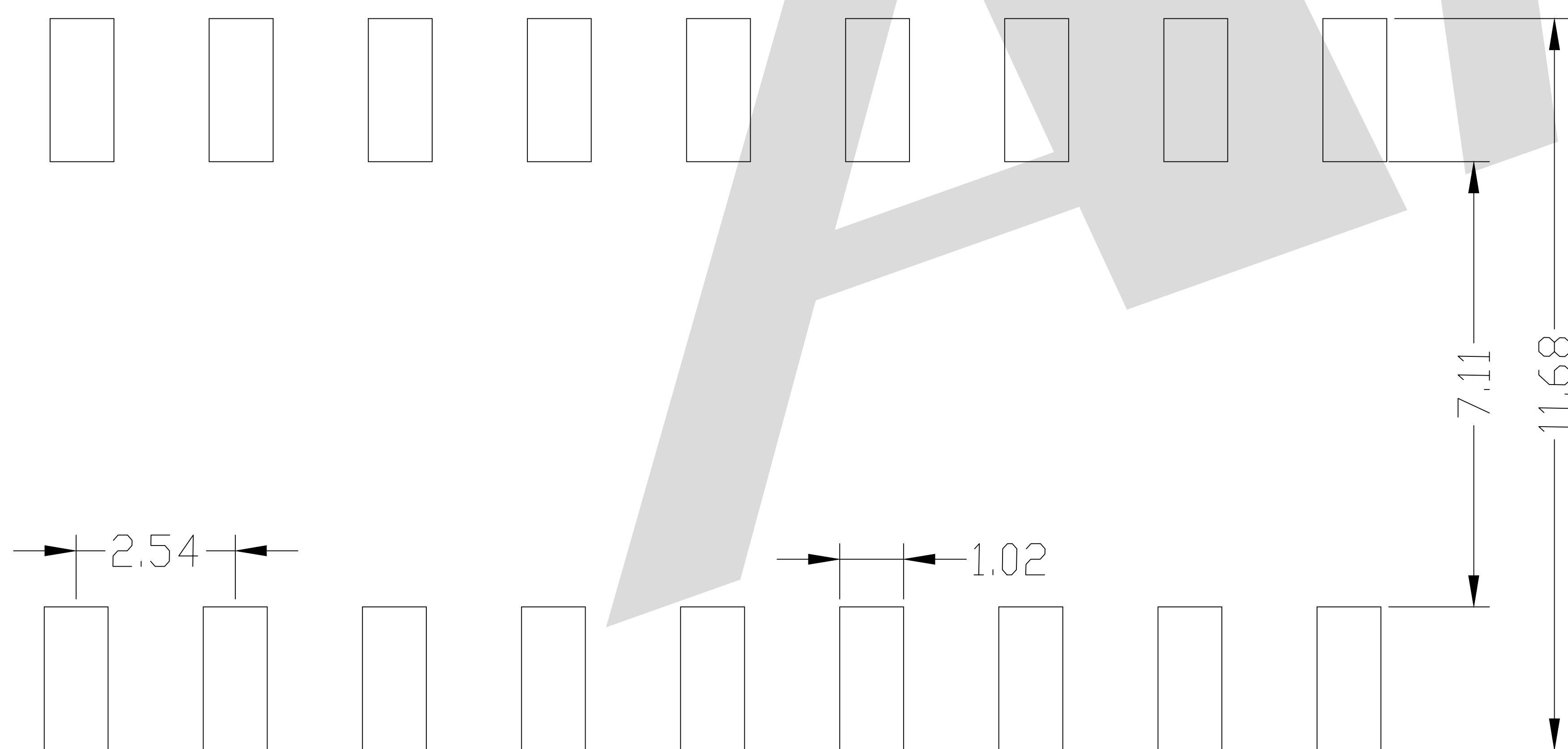
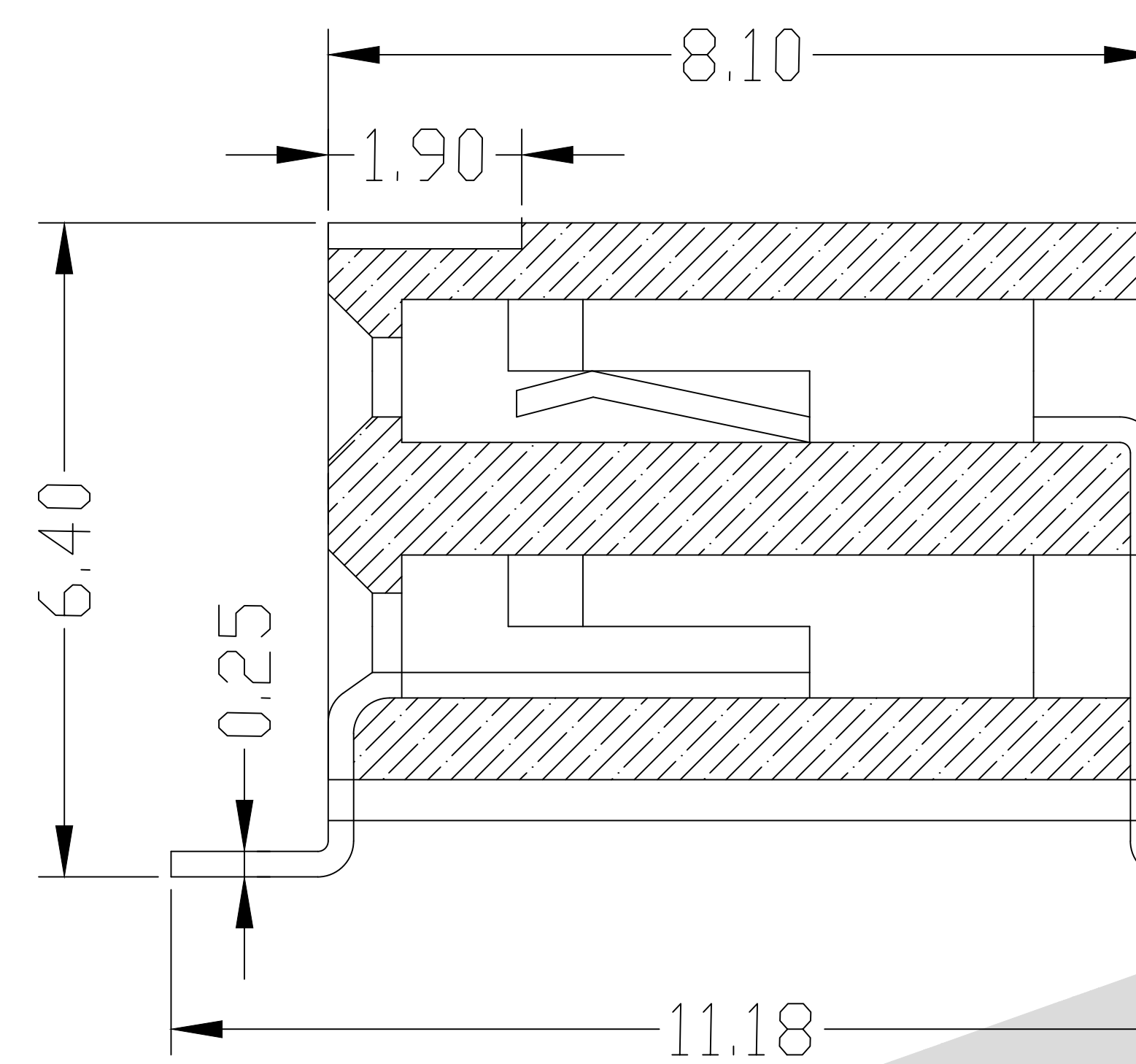
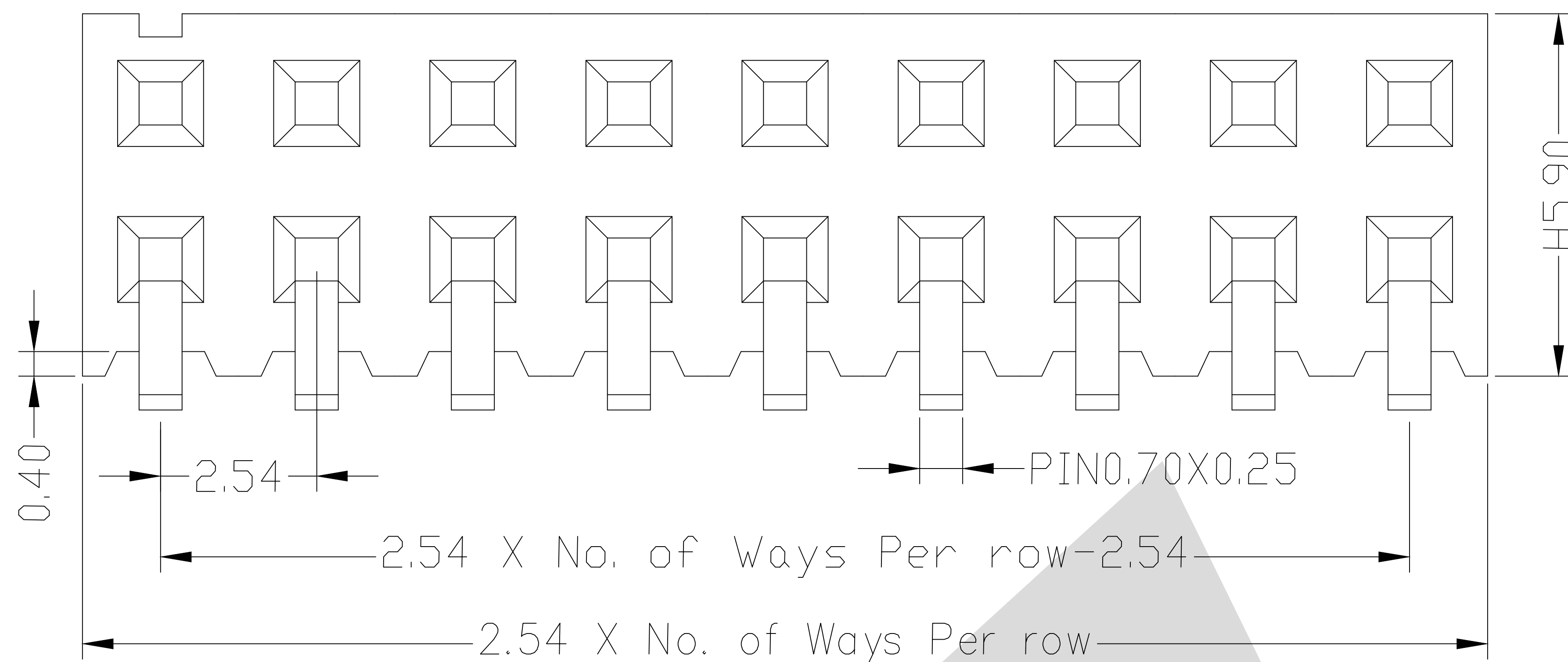
SPECIFICATION

Current Rating: 3.0 Amp
 Insulation Resistance: 1000M ohms min
 Contact Resistance: 20M ohms max
 Dielectric Withstanding: AC500V
 Operating Temperature: -65°C to +125°C
 Contact Material: Brass
 Insulator Material: PBT,UL 94V-0 Black

Ordering Code:

FHEM16 - X - X - D - X - X - X
 ① ② ③ ④ ⑤ ⑥ ⑦

- ① Series No:
- ② No. of Contacts: 02 To 05
- ③ Contact Plating:
 G0:Gold flash S0:Selective
 G1:3u" Gold S1:Selective 3u"
 G2:5u" Gold S2:Selective 5u"
 G3:10u" Gold S3:Selective 10u"
 G4:15u" Gold S4:Selective 15u"
 G5:30u" Gold S5:Selective 30u"
 SN: Tin
- ④ Connector Type: D: Dual
- ⑤ Plastic High: H:5.9
 Please mark the desired length in the H
- ⑥ Insulator Material:
 A:PBT
 B:PA6T
 C:LCP
 D:PA46
 E:PA9T
- ⑦ Packing:
 A:Tray
 B:Bag
 T:Tube
 U:Tube+CAP
 R:Tape&Reel
 W:Tape&Reel+CAP



PCB LAYOUT

Pin(Per Row)	①		
	2-15P	16-25P	26-40P
M	0.10	0.15	0.18

Unless Otherwise specified tolerance
 X. ±0.35 X.XX: ±0.20
 X.X: ±0.25 X.XXX: ±0.15

SCALE: As Shown UNIT: mm
 DRAW: YIN CHAO DATE: 2026/4/3
 CHECK: BobYang DATE: 2026/4/3

Antenk ANTENK ELECTRONICS CO., LTD
 Http://www.antenk.com
 E-mail:sales@antenk.com

TITLE:
 2.54mm Female Header Dual Row SMT Side Entry Type H:5.9

DRAWING NO: FHEM16-10GODHBT
 PRODUCT NO: FHEM16-10GODHBT

①	Increase the flatness and Mating dimension	02/02/2026
REV	DESCRIPTION	DATE

