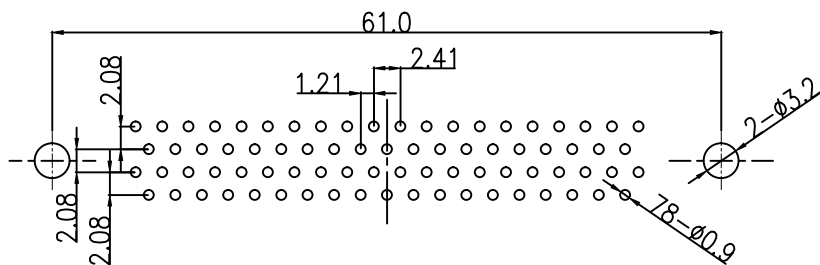
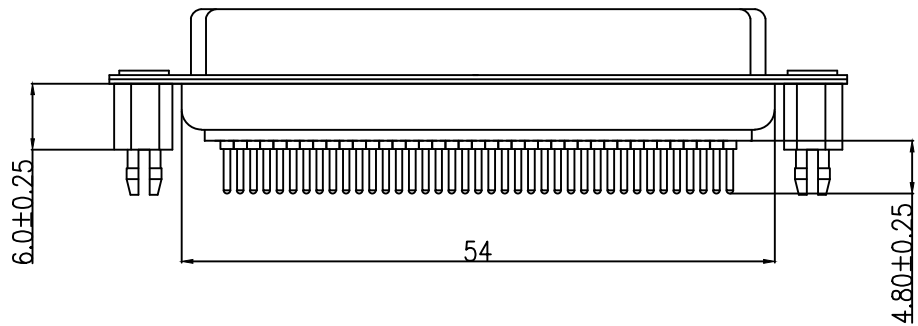
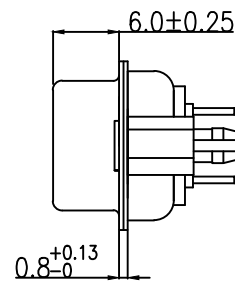
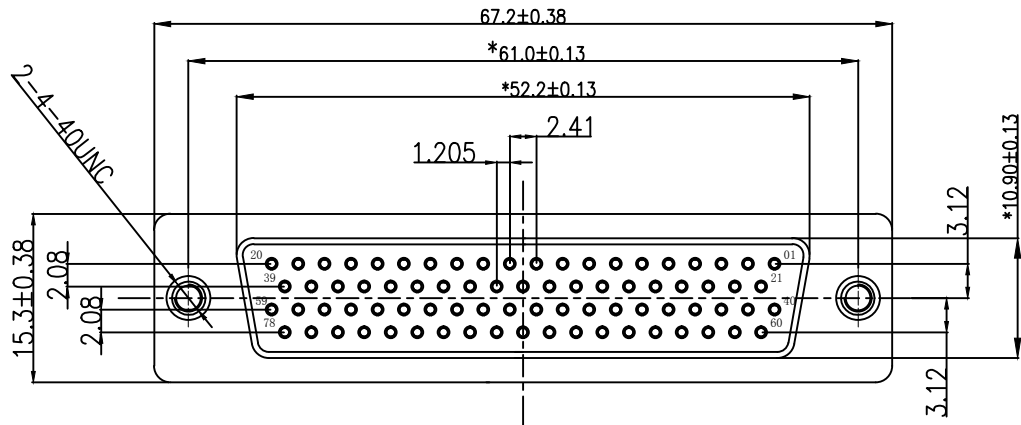


"\*" Pivot Dimension

RoHS Component



PCB LAYOUT

NOTICE :

1. ELECTRIC:

- DIELECTRIC RATING: 300V
- CONTACT CURRENT RATING: 3AMP
- CONTACT RESISTANCE: 15mΩ MAX.
- INSULATION RESISTANCE: 1000MΩ MIN. AT 500V DC
- DIELECTRIC STRENGTH: 500V AC RMS FOR 1MINUTE
- OPERATION TEMPERATURE: -55C° ~125C°

2. MATERIAL:

- INSULATOR: PBT+30% G. F(UL94V-0)
- CONTACT: COPPER ALLOY
- CONTACT PLATED: GOLD FIASH OVER NICKEL
- SHELL: SPCC
- SHELL PLATED: NICKEL/TIN

# 浙江创都电子科技有限公司

<b>TOLERANCE:</b> XX ±0.38 XXX ±0.25 XXXX ±0.13 X° ±5°    XX° ±2°	<b>DRAWN BY :</b>  	<b>DATE :</b> 2009.11.21	<b>PART NAME:</b> QH HDP 78 母 直焊板式铆6.0鱼叉		
	<b>CHECKED BY:</b>  	<b>DATE :</b> 2009.11.25	<b>DRAW NO.</b> HDP-M-78P-ZC-YCLS	<b>PART NO.</b>  	
	<b>APPROVED BY:</b>  	<b>DATE :</b> 2009.11.25	<b>REMARK</b>  		
<b>UNIT:</b> mm [inch]	<b>SCALE:</b> 1:1	<b>SIZE:</b> A4	<b>MOLD NO.</b>  		